

Post top led area light



Features

- Power Factor: ≥ 0.95
- LED Chip: Philips
- CRI: $Ra \geq 70$
- Dimming: 1-10V
- Material: Aluminum alloy + PC optics lens
- Standard color: dark bronze
- Working Temperature: $-40^{\circ}\text{F} \sim 122^{\circ}\text{F}$
- Lifespan: > 54000 hours (@ $T_c = 176^{\circ}\text{F}$)
- Total Harmonic Distortio: 15%

Application

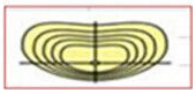
Parking lots , plaza , shopping mall , roadway ,garden ,site & area lighting and general lighting applications.

Ordering Information

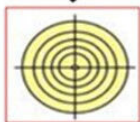
Model	Wattage	CCT	Lumen	Input Frequency	Voltage	Warranty
YR-TP500-W50	50watt	5000K	5,812lm	50/60HZ	100-277V	5 years
YR-TP500-W100	100watt	5000K	10,956lm	50/60HZ	100-277V	5 years
YR-TP500-W150	150watt	5000K	15,652lm	50/60HZ	100-277V	5 years
YR-TP500-W200	200watt	5000K	20,180lm	50/60HZ	100-277V	5 years
YR-TP500-W300	300watt	5000K	30,250lm	50/60HZ	100-277V	5 years

Beam Angle

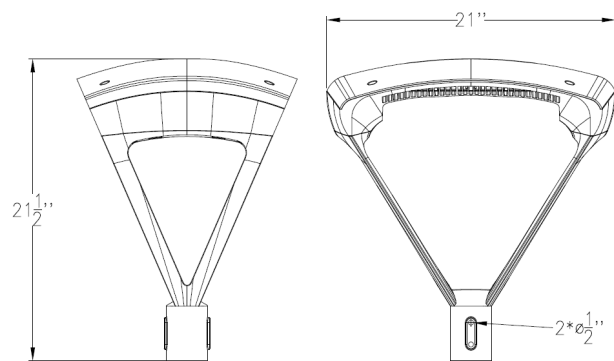
Type III



Type V



Dimension



Different adaptors optional

