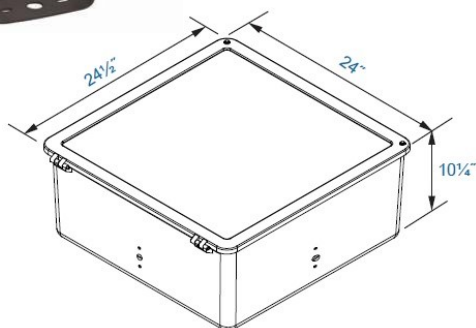




DATE	
PROJECT	
TYPE	
NOTE	
PREPARED BY	

XLG-CLP-3040

23" LED AREA/FLOOD LIGHT SHOE BOX



23" sq. LED area or flood fixture, suitable for wet locations. Perfect for lighting up residential exteriors, walkways, entry ways, perimeters, storage areas, parking garages, school campuses, Industrial/commercial spaces, wall washer, parking lots, recreational parks. This fixture has a wide light distribution. Comes with a 5 year/50,000 hour limited warranty.

FEATURES

- Energy Savings: Over 66% compared to HID light sources
- Improved lumen maintenance
- Utilizes high efficient Phillips Lumiled LED's
- Operating temperatures: -30°C ~ 60°C
- Driver: Constant current, 120-277v, 50/60Hz, 480v (Optional)
- Suitable for wet locations
- Dimming, occupancy sensors, photo cell and wireless controls capable (optional)
- Operating Life: >60,000 hours

CONSTRUCTION

- Housing is heavy-duty die-cast aluminum & hinged front door frame.
- 1/2" Coin plugs with O-rings for conduit, sensors or photo cell
- Powder coat bronze finish (standard) various colors available (custom).
- Clear prismatic polycarbonate lens
- Silicone gasket to prevent leakage and provide weather-tight protection.
- Mounting: Mount with Extruded Mounting Arms or Direct Pole Mount Arm

OPTIONS

- (OCC) Motion sensor
- (PC) Button photo cell
- (EMR) Emergency battery backup
- (GS) Glare shield
- (AEA) Adjustable extruded arm
- (EA6) 6" extruded arm
- (EA10) 10" extruded arm
- (EA12) 12" extruded arm
- (EA18) 18" extruded arm
- (SF) slip fitter
- (SB) Swivel Bracket
- (EAWM) extruded arm wall mount



Model Number	INPUT POWER	LUMEN OUTPUT	SCOPTIC	COLOR TEMP (CCT)	CRI	RATED LIFE (L70)	INPUT VOLTAGE	INPUT FREQUENCY	HID Equivalent	DLC LISTED
XLG-CLP-3040-120CLED	125W	16,512	26,419	5000K	70+	>200,000	120-277V	50/60HZ	400w HPS	NO
XLG-CLP-3040-200CLED	215W	27,520	44,032	5000K	70+	>200,000	120-277V	50/60HZ	750w PSMH	NO
XLG-CLP-3040-250CLED	265W	23,978	38,367	5000K	75	>200,000	120-277V	50/60HZ	1000w MH	YES
XLG-CLP-3040-360CLED	375W	46,032	73,651	5000K	75	>200,000	120-277V	50/60HZ	1000w HPS	NO

Ordering Guide

Example: (XLG-CLP-3040-250CLED-50-MV-BZ-SB-WC)

XLG-CLP-3040	MODEL	WATTS	COLOR TEMP	VOLTAGE	FINISH	MOUNTING	OPTIONS
	XLG-CLP-3040	120W-120CLED 200W-200CLED 250W-250CLED 360W-360CLED	27-2700K 30-3000K 35-3500K 40-4000K 50-5000K 57-5700K 65-6500K	MV=120-277V 347-347V 480-480V	BZ- BRONZE GRY-GRAY BLK-BLACK WH- WHITE CUS-CUSTOM	AEA-ADJUSTABLE EXTRUDED ARM EA6- 6" EXTRUDED ARM EA10- 10" EXTRUDED ARM EA12-12" EXTRUDED ARM SF- SLIP FITTER SB- SWIVEL BRACKET EAWM-EXTRUDED ARM WALL MOUNT	OCC- MOTION SENSOR PC- BUTTON PHOTO CELL EMR- EMR BATTERY GS- GLARE SHIELD WC- WIRELESS CONTROL