



Area Light Large



Description

The LITELUME™ Area Light Large Luminaire (LL-ALL) combines style with performance. Featuring a die-cast aluminum housing with outstanding corrosion protection, and secondary UV resistant polycarbonate optics. The ALL provides an aesthetically pleasing addition to any roadway or parking lot with its steady well-defined construction. The highly functioning optics provide maximum lumen output and light distribution to make the ALL the premier outdoor area light.

Fixture Information

Size:	235W/295
Housing:	Die-cast aluminum housing
Finish:	Protective powdercoat
Color:	Standard: Bronze Custom Options: Black (BK), White (WH) and Gray (GY)
Mounting:	Pole Mount Slip Fitter Wall Mount
Lens:	Polycarbonate
Surge Protector:	Standard: 10 kVA
Voltage:	Standard: 120-277V Custom Option: 347-480V
Sensor:	Standard: No sensor Custom Options: Bi-level motion sensor Remote control Twist Lock Photocell and Receptacle (120-277V) and Photocell (120-277V)
Warranty:	10-Year Limited Warranty

Performance Data

Lumen Output:

30,705 to 30,829 lm

Lumens Per Watt (typical):

128.17 to 131.09 lm/W

CCT:

4000K
5000K

Distribution:

Type III
Type IV
Type V

Lifespan:

Features Philips Lumileds with up to 100,000 running hours.

Ratings & Certificates

UL Wet Location Listed
DLC Qualified
IP66 rated

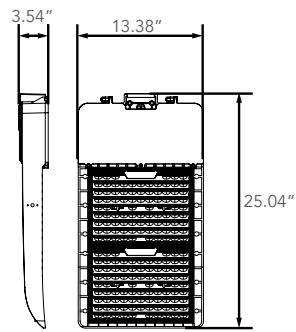




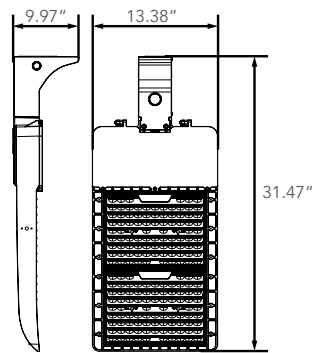
Dimension & Weight

Item	Width	Length	Height	Weight
ALL	3.54"	13.38"	25.04"	25.63lb (235W) 26.36lb (295W)
ALL w/Pole Mount	9.97"	13.38"	31.47"	26.99lb (235W) 27.72lb (295W)
ALL w/Slip Fitter	3.54"	13.38"	33.50"	26.26lb (235W) 26.96lb (295W)
ALL w/Wall Mount	7.99"	13.38"	31.77"	28.63lb (235W) 29.36lb (295W)
ALL w/Trunion	TBD	TBD	TBD	TBD

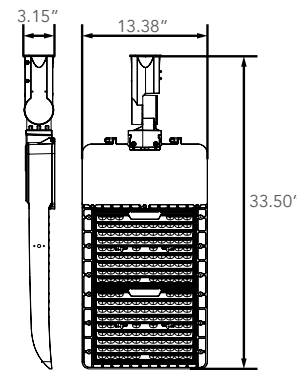
No Mount



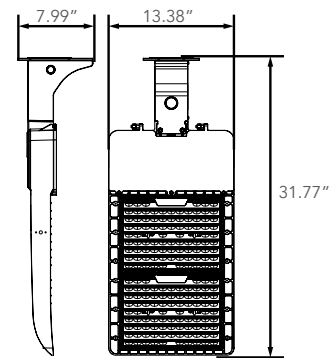
Pole Mount



Slip Fitter



Wall Mount



Mounting

- Standard versatile mounting arm accommodates multiple drilling patterns as well as square and round poles
- Wall Mount available for direct wall mounting and J-box mounting
- Optional for cast aluminum slip-fitter mounting adapter (Compatible with more LITELUME™ mounting adaptors such as tenon, suits for various application)

Mounting Options



Pole Mount- (4" and 5" Square and Round poles) Standard versatile mounting arm is simple to install and can be used with existing poles for retrofit installations.



Slip Fitter- An optional cast aluminum mast arm adapter secures fixture head to nominal 2"(2-3/8" O.D. pipe size) horizontal steel tenon arm.



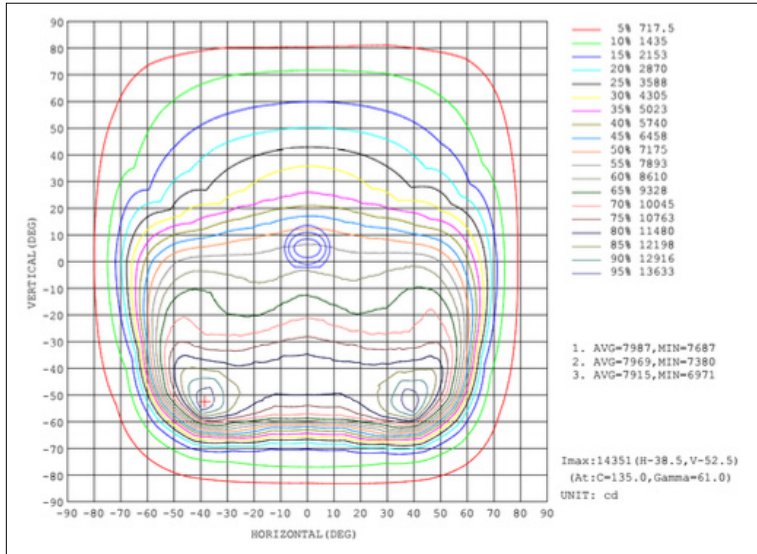
Wall Mount- Wall Mount is easy to install for direct wall mounting with 1/2" conduit wiring or standard J-box mounting.



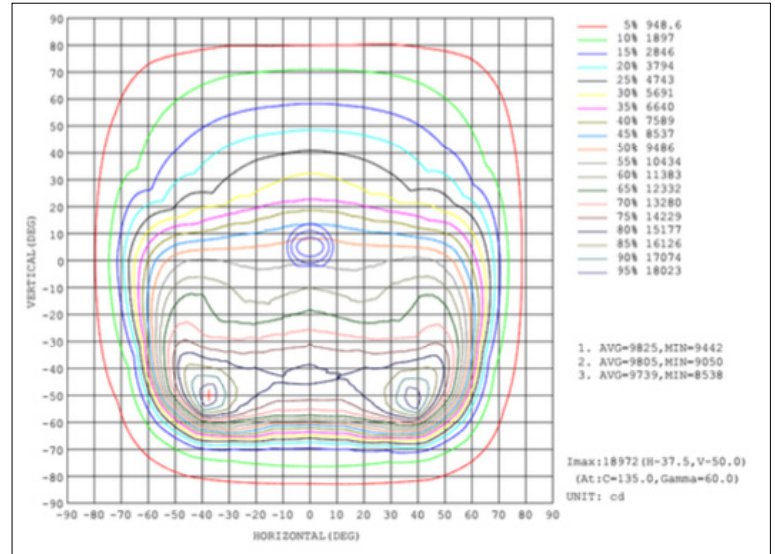
EPA

Item:	1	2@90°	2@120°	2@180°	3@90°	3@180°	4@90°
235W/295W	0.847	0.996	1.629	1.634	1.636	1.632	1.636

Photometric Data



LL-ALL-235-50-UNV-T3-BZ



LL-ALL-295-50-UNV-T3-BZ