

CL-304

Wall Pack LED Luminaire  
DESIGN-FUNCTION-QUALITY



*Crystal Lighting Corp.*



**CL-304** Half Moon Full Cut Off LED Wall Pack Fixture, Suitable for wet locations, Perfect for lighting up Residential Exteriors, Walkways, Entry Ways, Perimeters, Parking Garages, School Campuses, Industrial/Commercial Spaces.

- Dark sky compliant and up light option.
- 10 year/100,000 hour limited warranty.

**Features**

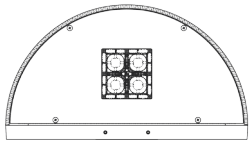
- Energy Savings: Over 66% compared to HID light sources
- Improved lumen maintenance
- Utilizes high efficient Lumiled LED's
- Operating temperatures: -30°C ~ 60°C
- Driver: Cconstant current, 120-277v, 50/60Hz, 480v (Optional)
- Suitable for wet locations
- 0-10 Dimming Driver, Occupancy Sensors or PhotoCell, Emergency Battery Pack(optional)

**Construction**

- Housing is heavy-Duty Aluminum
- 3 Mil Powder Coat Finish.
- Clear Optical System
- Silicone gasket to prevent leakage and provide weather-tight protection.
- Mounting: Over 4" "J" Box.

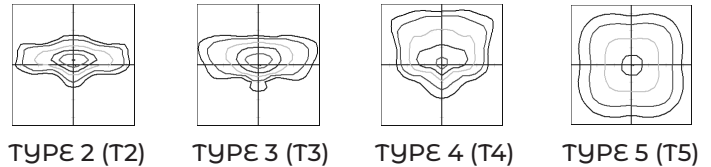


**UP/DOWN LIGHT (Option)**

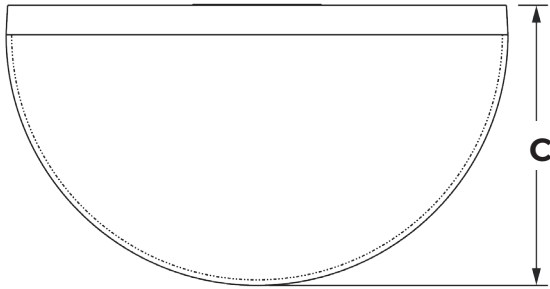
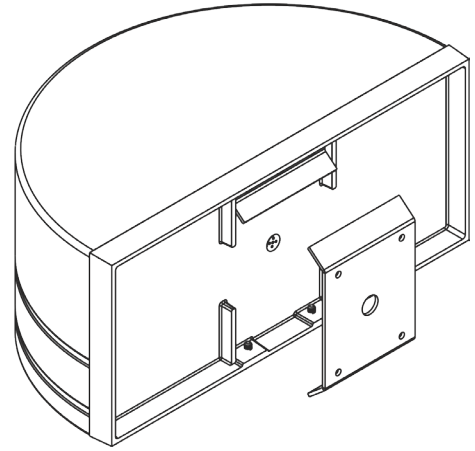
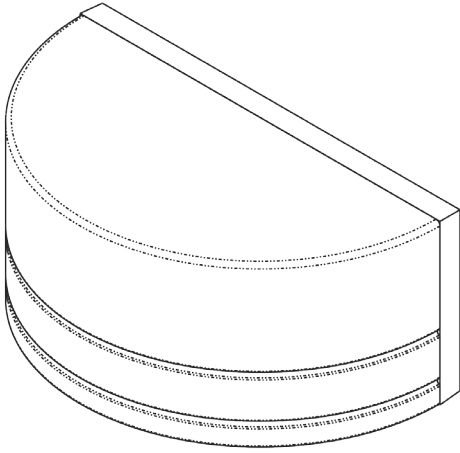


Example: CL-304-D-20CLED-T2-40K-MV-BZ-PC

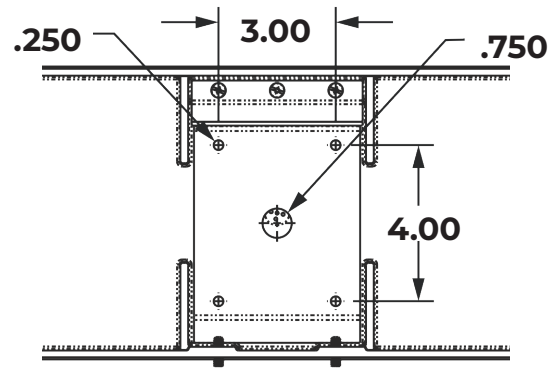
**OPTIC DISTRIBUTION**



Cat #	Light	Wattage	Light Dist.	Color Temp.	Voltage	Finish	Options
<b>CL-304</b>	Down Light <b>(D)</b>	20W <b>(20CLED)</b>	Type 2 <b>(T2)</b>	3000K <b>(30K)</b>	120-277V <b>(MV)</b>	Black <b>(BLK)</b>	Motion Sensor <b>(OCC)</b>
	-----	40W	Type 3	4000K	480V	White <b>(WHT)</b>	Button Photo Cell <b>(PC)</b>
	*Up/ Down Light <b>(UD)</b>	<b>(40CLED)</b> 50W <b>(50CLED)</b>	Type 4 <b>(T4)</b>	5000K <b>(50K)</b>	<b>(HV)</b>	Silver <b>(SLR)</b>	Wireless controls <b>(WC)</b>
	*Up Light 10W or 20W MAX	----- <b>Up Light</b> 10W	Type 5 <b>(T5)</b>			Bronze <b>(BRZ)</b>	Emergency Battery Pack <b>(EMR)</b>
		20W				Graphite <b>(GPH)</b> Custom <b>(CST)</b>	



**Mounting Dimensions**



Dimensions				
Cat#	A	B	C	εPA
CL-304	7.50	17"	9.5	.88

Cat #	Input Power	Lumen Output	LPW	Color Temp. (CCT)	CRI	Rated Life (L70)	Input Voltage	HID Equivalent
CL-304-20CLED	25W	2,958	147	5000K	70+	>200,000	120-277V	70W MH
CL-304-40CLED	45W	5,449	136	5000K	70+	>200,000	120-277V	150W HPS
CL-304-50CLED	55W	6,589	131	5000K	70+	>200,000	120-277V	150W MH

Proudly Manufactured and Assembled in the USA