

CLP-ms

Architectural LED Luminaire
DESIGN-FUNCTION-QUALITY



Crystal Lighting Corp.





CLP-MS has an elegant design that adds style and class to any location. **CLP-MS** fixture is suitable for townships, parks, walkways, housing communities, and driveways. Internally, the **CLP-MS** is Durable, Reliable.

Warranty:

-10 year/100,000 hour Limited Warranty.

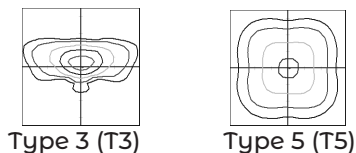
Features:

- Energy Savings: Over 66% compared to HID light sources.
- Improved Lumen Maintenance.
- Utilizes High efficient Lumiled LED's.
- Operating Temperatures: -30°C ~ 60°C.
- Driver: 120-277V (MV) or 480V (HV) (Optional).
- IP65 / IP67 Rated.
- 0-10 Dimming Driver, Occupancy Sensors, Photo Cell or Wireless Controls (Optional)

Construction:

- Corrosion-Resistant Cast Aluminum Housing
- 3 Mil Powder Coat Finish.
- *Froster Acrylic Lens (FAL)(Standard)
- Silicone Gasket to provide Weather-Tight Protection Enclosure (IP65 Rated).
- Mounting: Over of a 3" Round Pole (Adapter is required for other mounting)

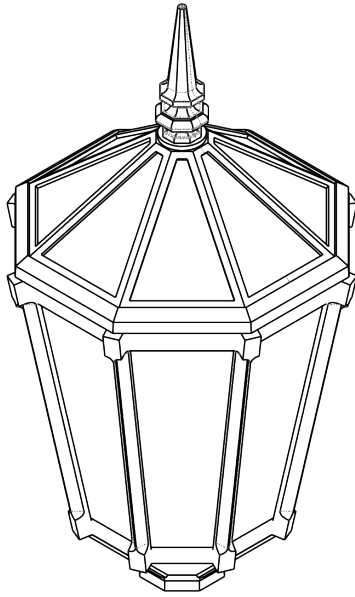
Optic Distribution.



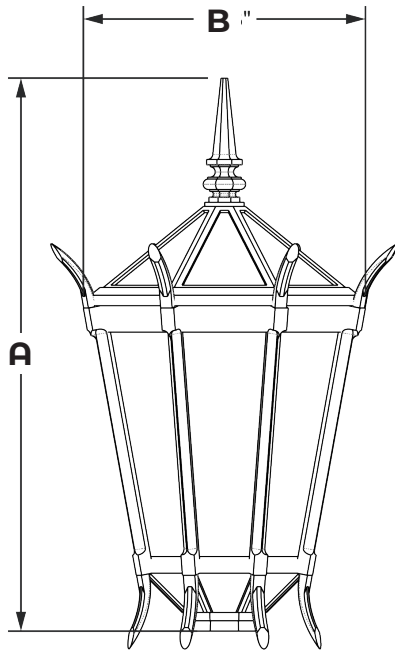
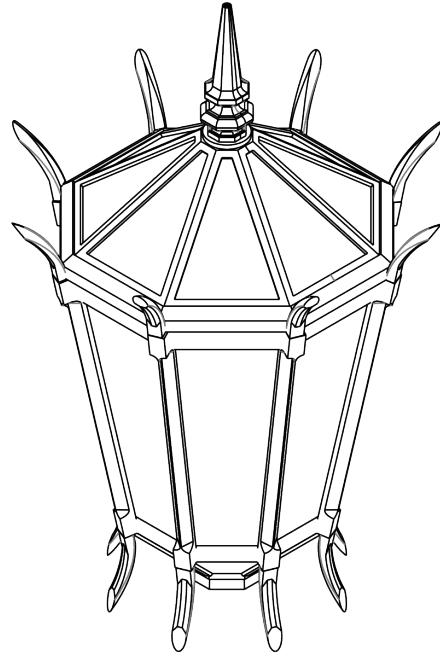
Example: CLP-MS1-20CLEd-T3-40K-MV-BRZ-PC

Cat #	Wattage	Light Dist.	Color Temp.	Voltage	Color	Mounting	Options
CLP-MS-1 (CLP-MS1)	20W (20CLEd)	Type 3 (T3)	3000K (30K)	120-277V (MV)	Black (BLK)	3" OD (3RN)	Occupancy Sensor (Remote) (OCC)
	40W (40CLEd)	Type 5 (T5)	4000K (40K)	480V (HV)	White (WH)		Button Photo Cell (PC)
CLP-MS-2 (CLP-MS2)	60W (60CLEd)		5000K (50K)		Bronze (BRZ)		Wireless controls (WC)
	80W (80CLEd)				Silver (SIL)		Opal Acrylic Lens (OAL)
					Graphite (GPH)		*Frosted Acrylic Lens (Standard) (FAL)
					Marine Grade (MG)		

CLP-MS1



CLP-MS2



CLP-MS Dimensions			
Cat#	A	B	EPA
CLP-SM	32"	17"	

Cat #	Input Power	Lumen Output	LPW	Color Temp. (CCT)	CRI	Rated Life (L70)	Input Voltage	HID Equivalent	HID Equivalent
CLP-MS-20CLED	25W	3,120	156	5000K	70+	>200,000	120-277V	50/60HZ	100W MH
CLP-MS-40CLED	45W	5,475	136	5000K	70+	>200,000	120-277V	50/60HZ	150W MH
CLP-MS-60CLED	65W	8,784	146	5000K	70+	>200,000	120-277V	50/60HZ	175W MH
CLP-MS-80CLED	85W	10,841	135	5000K	70+	>200,000	120-277V	50/60HZ	175W MH

Proudly Manufactured and Assembled in the USA