

Creo Bollard / Creo Arm Mount Designed with a Sleek, Clean Appearance and Modern Style, downward light distribution, and Dark Sky Compliant. **Creo Series** available in Type 2, 3, 4, and 5 Light Distribution, Optional Vandal-Resistant Base, 3 Mil Powder Coat Finish, 3/8 x 10" Long Anchor Bolts (Included). Optional 15W, 20W, 30W, 40W or 50W LED System. Ideal for Lighting Pedestrian Walkways and Accenting the Exterior Grounds of Office and Apartment Buildings, Hotel and Parks.
Creo-AM Recommended Pole Height up to 12ft

- 10 Year Limited Warranty.

Features

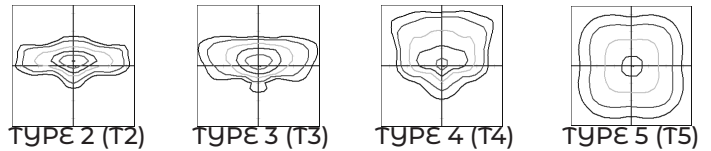
- Energy Savings: Over 66% compared to HID light sources.
- Improved lumen maintenance
- High efficient LED's
- Operating temperatures: -30°C ~ 60°C.
- Driver: Constant current, 120~277v, 50/60Hz, 480v (Optional)
- Suitable for wet locations.
- 0-10 Dimming Driver, Photo Cell, Micro Wave Sensor, and Wireless Controls (Optional).
- Operating Life: >200,000 hours.

Construction

- Extruded Aluminum Body and Cast Aluminum Base.
- 3 Mil Powder Coat Finish (Many Finish Available).
- CL- Clear Optical System (Standard).
- Silicone Gasket to Prevent Leakage and Provide Weather-Tight Protection
- Mounting: Mounting Kit with(3x) 10" Anchor Bolts Included



OPTIC DISTRIBUTION

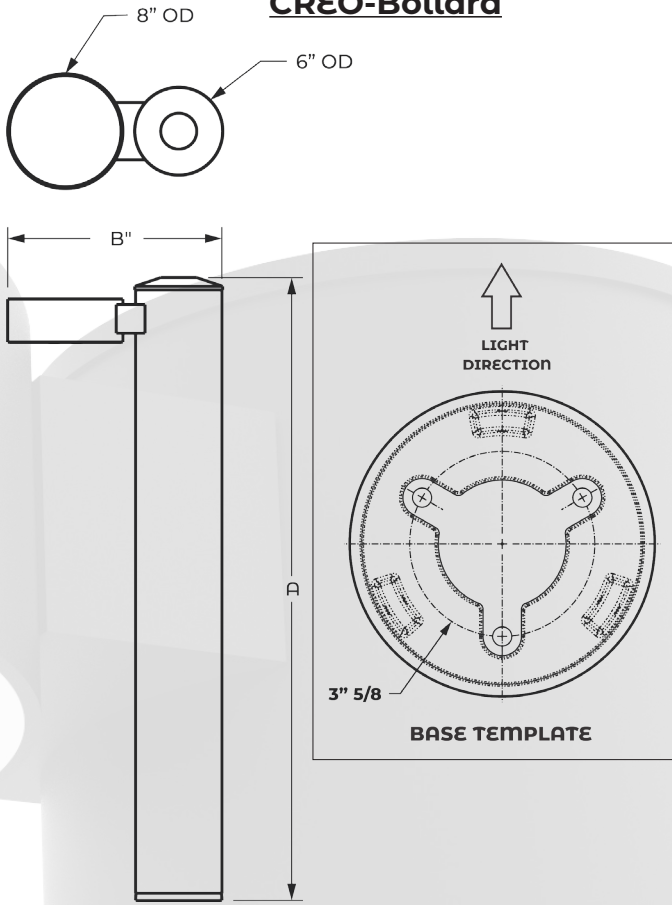


Example: CROAM-12'-T3-50CLEd-30K-MV-BZ



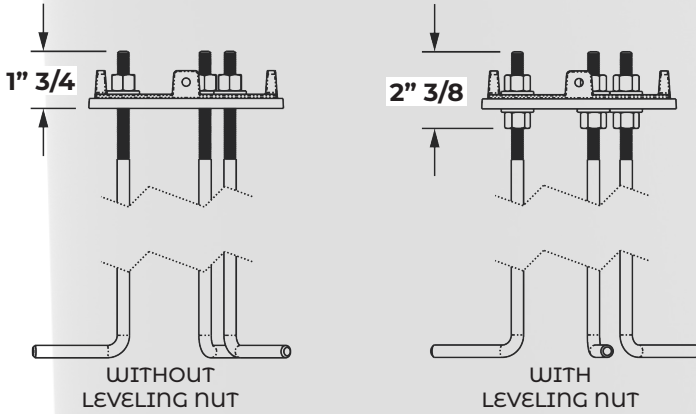
Cat #	Height	Wattage	Light Dist.	Color Temp.	Voltage	Finish	Options
CRO							
Creo (CRO)	36" (36)	15W (15CLEd)	Type 2 (T2)	3000K (30K)	120-277V (MV)	Black (BLK)	*Micro Wave Sensor (MWS)
	42" (42)	20W (20CLEd)	Type 3 (T3)	4000K (40K)	480V (HV)	White (WH)	*Motion Sensor
		30W (30CLEd)	Type 4 (T4)	5000K (50K)		Bronze (BRZ)	Button Photo Cell (PC)
		40W (40CLEd)	Type 5 (T5)			Silver (SIL)	Wireless controls (WC)
Creo-AM (CROAM)	Pole Height 4"OD STD.	50W (50CLEd)				Graphite (GPH)	Vandal Resis-tant Base (VRB)
	10Ft (10')					Marine Grade (MG)	
	12Ft (12')					Custom (CST)	----- Pole drilling
	No Pole n/P						Single (SGL)
							Double 180 (D180)

CREO-Bollard

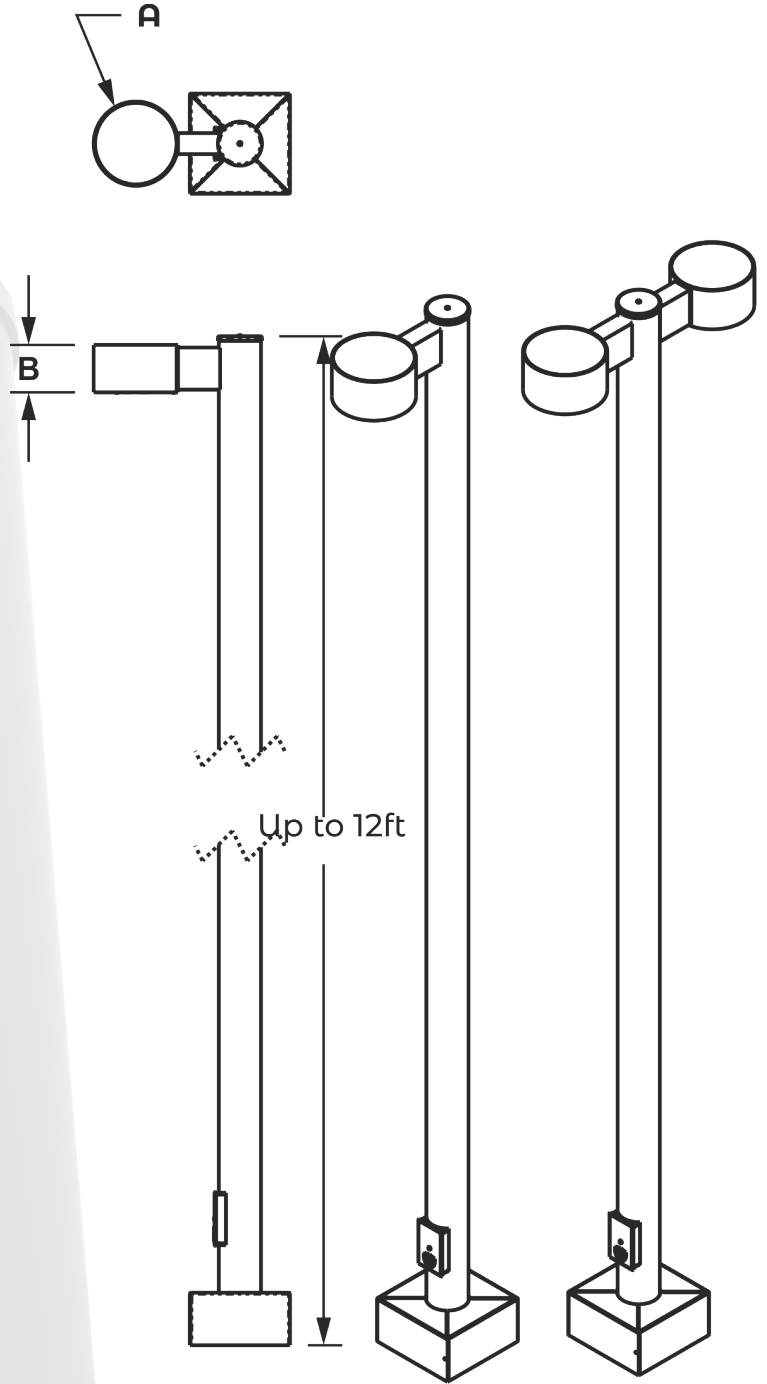


Cat#	A	B	EPA
CRO-36	36"	14" 7/8	
CRO-42	42"	14" 7/8	

Bolt Projection



CREO-Arm Mount



Cat#	A	B	EPA
CRO-AM	8"	4" 1/2	

Cat #	Input Power	Lumen Output	LPW	Color Temp. (CCT)	CRI	Rated Life (L70)	Input Voltage	HID Equivalent
CRO-15CLED	20W	2,557	170	5000K	70+	>200,000	120-277V	35W-HPS
CRO-20CLED	25W	3,650	182	5000K	70+	>200,000	120-277V	70W MH
CRO-30CLED	35W	4,642	154	5000K	70+	>200,000	120-277V	100W MH
CRO-40CLED	45W	6,492	162	5000K	70+	>200,000	120-277V	150W HPS
CRO-50CLED	55W	7,780	155	5000K	70+	>200,000	120-277V	150W MH

Proudly Manufactured and Assembled in the USA