



The DUO Selectable troffer provides a low profile, low glare lighting solution that's more aesthetically pleasing for environments that require a warmer yet professional presentation. It includes two DIP switches to easily and reliably adjust CCT and lumens. The fixture can be used for general office lighting, providing suitable light without any of the maintenance issues associated with fluorescent tubes. 3 CCT options and 3 lumen package options can save more on inventory cost.

Project Details		Type
Project:		
Product:		
Prepared by:		
Notes:		

Product Highlights
<ul style="list-style-type: none"> • Field-adjustable light output with 3 discrete steps • White tunable with 3 discrete steps • Emergency backup unit and occupancy sensor available

Product Specs	
Input Voltage (VAC)	120-277, 50/60 Hz
CRI	80
CCT (K)	3500, 4000, 5000 Selectable
Selectable Wattages	30W, 25W, 20W (2x2) - 34W, 30W, 25W (2x4)
PF	.9
THD	20%
Lumen Maintenance	See chart
Limited Warranty	5 Years

*L70 data is calculated based on LM80 and ISMT reports

Certifications and Compatibilities

Electrical

Long-life LEDs, coupled with high-efficiency drivers, provide superior quantity and quality of illumination for extended service life. The efficacy is up to 134 LM/W. Standard input is 120-277V.

Duo Selectable Troffer (ECRT)			Example: ECRT22T-30W-01		
Product ID	Model	Wattage	CCT	Voltage	
ECRT	22T=2'x2' CCT + Lumen Selectable	30W=20W/25W/30W Selectable	01=3500K/4000K/5000K Selectable	Blank=100-277V	
	24T=2'x4' CCT + Lumen Selectable	34W=25W/30W/34W Selectable			



Mounting and Accessories

SMK22	2x2 Surface Mount Kit - CLMB0-0600A0-RS
SMK24	2x4 Surface Mount Kit - HAC-CLMB0-0612A0-RS
EM	Emergency Driver - WP-08U-48-EA
OCS	ANT-4 Passive Infrared Occupancy Bi Level Sensor
HS	BRI810-B-F. - Bi-level and Daylight. - Harvest Sensor
B1	PSC-BL-I-RD-DC0-BLE-SR, Bluetooth Mesh Bi-Level Dimming Occupancy Sensor

Application

The DUO troffer can be recessed in any standard sized grid ceiling. In non-grid type ceilings, the fixture may be installed via surface mount. This sleek, versatile fixture is ideal for indoor environments where presentations and visual comfort are at a premium. Retail outlets, corporate offices, indoor galleries, and other high end installations use DUO troffer to great effect.

Sensors

BRI810

Bi-Level Sensor



BRI810-B-F is a moving object sensor that can detect range of 360° and its working frequency is 5.8GHz. The advantage of this product is stable working state (stable working temperature: -40°C+ 70°C), BRI810-B-F adopts a microwave sensor (high-frequency output < 0.2mW), so that it is safe and performs better than infrared sensor.

FEATURES

- Fully adjustable high and low dimmed light levels from 0-10VDC
- Designed for LED fixtures; rated for extreme temperatures and up to 200,000 on/off cycles
- Adjustable via handheld wireless configuration tool
- Adjustable time delay and cut off delay from 10 seconds to 60 minutes
- Provides line voltage On/Off switching and 0-10VDC dimming control
- Works with ballasts or LED drivers
- Adjustable ramp up and fade down times
- High inrush stability zero crossing circuitry for reliable, long-life operation catching relay is durable for all load

[Download the PDF of the BRI810 here.](#)

PSC-BL-I-RD-DC0-BLE-SR

Bluetooth Mesh Bi-Level Dimming PIR Sensor w/Daylight Harvesting



Suitable for indoor use only

PSC-BL-RD-DC0_BLE-SR requires a 12VDC power source. Please order PP-200 or PP-700C when requesting this sensor

The ATG Wireless Control System PSC-BL-IRD-DC0 provided by McWong uses digital PIR Motion Detector Architecture and Dual Element passive infrared (PIR) technology for improved detection coverage for ceiling mount, high bay, and low bay applications.

FEATURES

- 0-10V configurable output: set to 0% (OFF)*, 10%, 25% or 50% dimming
- Photocell for ambient light detection
- Time delay 1 adjustable 5 sec to 30 min
- Time delay 2 adjustable 10 sec to ∞
- LED Motion indicator
- Active High/Low outputs for Relay drive
- Mounting height of 9ft (2.7m).
- 360° coverage pattern
- Bluetooth add-on enables remote sensor programming with greater customization of dimming levels, time delays, and ambient light sensitivity

[Download the PDF of the BRI810 here.](#)

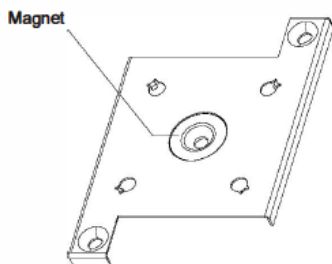
Sensors

BRI810

Bi-Level Sensor



MWS01 (Split Type)



M WS-MB01 Mounting Bracket

FEATURES

- a line voltage sensor that turns lighting ON/OFF and Bi-level dimming.
- Super-compact detection node
- An integrated photocell to switch the lights ON and OFF for dusk to dawn control.
- 5 modes selectable, adjustable delay time, adjustable dimming level.
- Optional Mounting bracket which magnetic integrated, facilitates installation

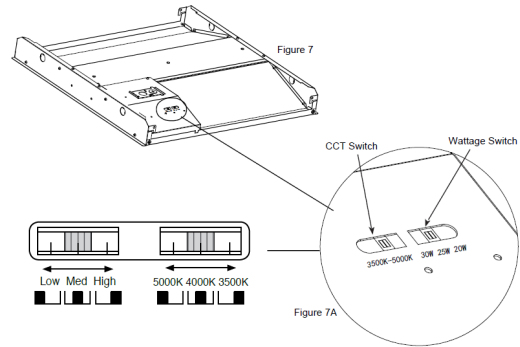
[Download the PDF of the BRI810 here.](#)

Model	Description
MSW01	Sensor with Remote detection head, Microwave/ daylight sensing, IR programmable
MWS-MB01	Mounting bracket with integral magnet
RM01	Handheld remote programming tool

Specifications	
Input	120/277Vac, 50/60Hz, 10A
Standby power	<0.5W
Load requirements	Max. 1000W
Mounting height	Max 16.4 ft. (5m)
Time delay	30 secons to 30 minutes
Dimming	0-10V
Dimming levels	10% to 100%
Ambient Op. Temp	-4°F to 131°F (-20°C to 55°C)
Op. Frequency	5.8GHz
Op. Humidity	IP20
Certificate	UL, cUL, FCC

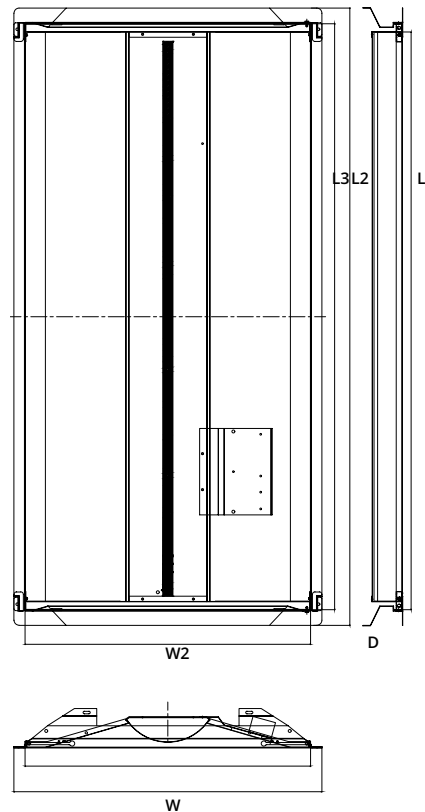
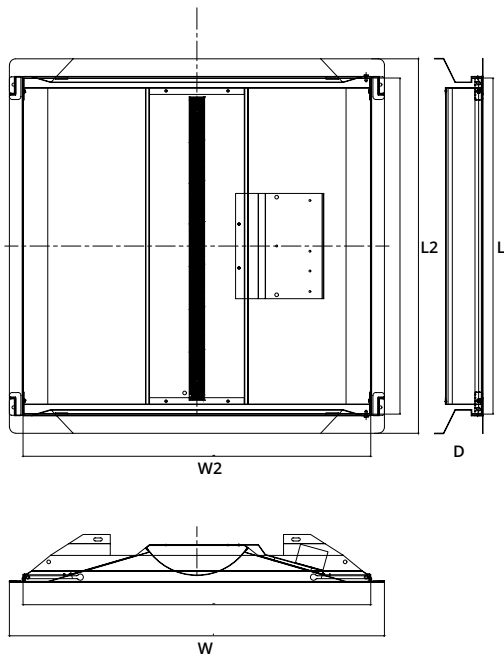
Construction

The DUO Troffer's discreet, low-profile frame is fitted from sheet metal, and uses a polycarbonate lens. The frosted diffuser is used to enhance consistency of light distribution. The slim design allows for versatile placement of the luminaire, even when recessed mounting is not available. The fixture is coated with a proprietary paint blend and dieformed for dimensional consistency.



Lumen Data

Size	Part Number	Wattage	3500K		4000K		5000K	
			Efficacy (LM/W)	Lumens (Lm)	Efficacy (LM/W)	Lumens (Lm)	Efficacy (LM/W)	Lumens (Lm)
2x2	ECRT22T30W-01	30W	125	3750	127	3810	126	3780
		25W	132	3300	134	3350	133	3325
		20W	130	2600	132	2640	131	2620
2x4	ECRT24T-34W-01	34W	125	4250	127	4318	126	4284
		30W	132	3960	134	4020	133	3990
		25W	130	3250	132	3300	131	3275



Dimensions

PART NO.	SCALE	LENGTH	LENGTH (L2)	LENGTH (L3)	WIDTH (W)	WIDTH (W2)	DEPTH (D)
ECRT22T	inch	21.37	23.81	21.37	23.85	22.13	2.76
	mm	542.8	604.8	543	605.8	562.1	70.1

Recorded in inches

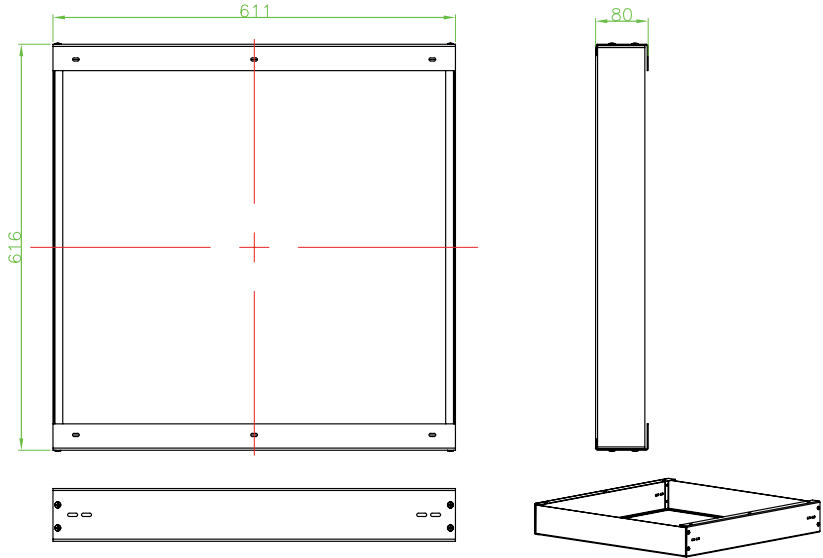
Dimensions

PART NO.	SCALE	LENGTH	LENGTH (L2)	LENGTH (L3)	WIDTH (W)	WIDTH (W2)	DEPTH (D)
ECRT24T	inch	44.76	47.83	45.39	23.85	22.13	2.76
	mm	1,136.9	1,214.9	1,152.9	605.8	562.1	70.1

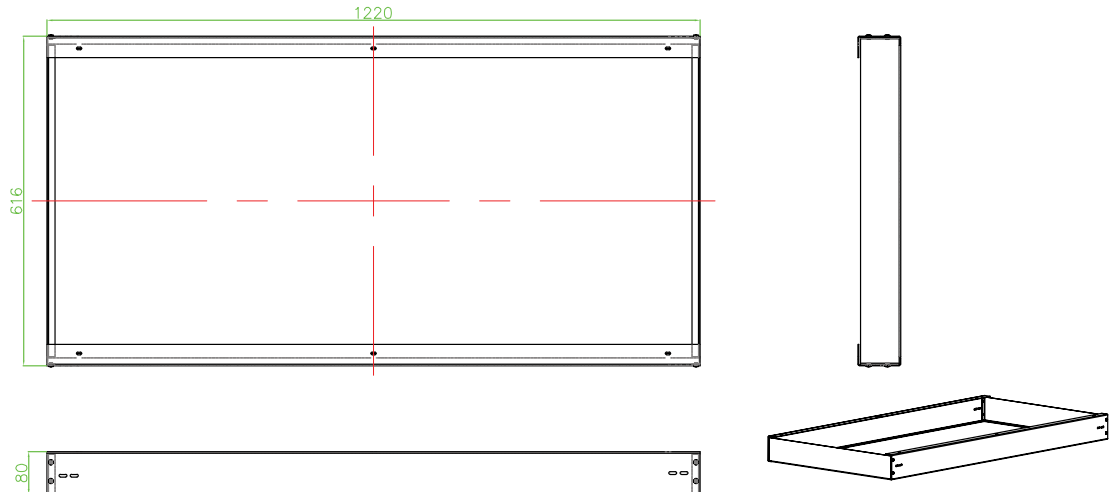
Recorded in inches

Mounting Kits

2x2 Surface Mount Kit
CLMB0-0600A0-RS



2X4 Surface Mount Kit
HAC-CLMB0-0612A0-RS



Accessories



WP-08U-48-EA
Emergency Driver



- Current Selectable
 - @2x2 use: 36-48VDC, 160mA
 - @2x4 use: 36-48VDC, 160mA
- Universal Input Voltage 100-277VAC
- cULus Listed
- Damp Rated
- NiCd Batteries