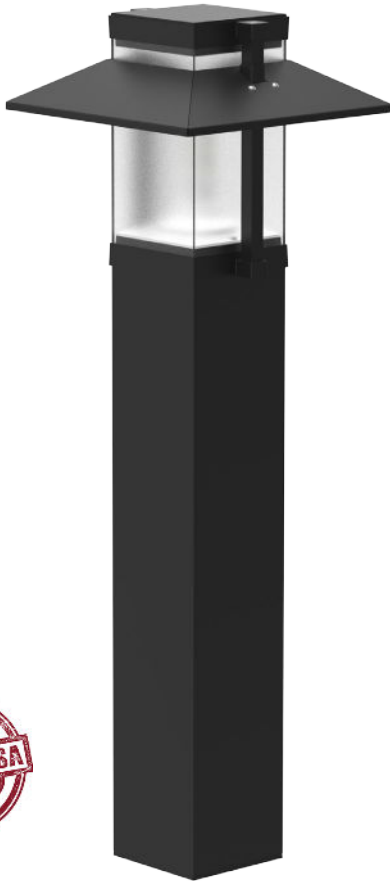


JANUS Bollard
Architectural LED Lighting
DESIGN-FUNCTION-QUALITY

Crystal Lighting Corp.



JANUS Bollard Architectural LED Lighting, Perfect for Lighting any Walkway Environment. This fixture has a wide light distribution.



Warranty

-10 year/100,000 hour Limited Warranty.

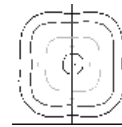
Features:

- Energy Savings: Over 66% compared to HID light sources.
- Improved Lumen Maintenance.
- Utilizes High efficient Lumiled LED's.
- Operating Temperatures: -30°C ~ 60°C.
- Driver: 120-277V (MV) or 480V (HV) (Optional).
- IP65 / IP67 Rated.
- 0-10 Dimming Driver, Micro Wave Sensor, Photo Cell or Wireless Controls capable (optional)

Construction:

- Corrosion Resistant Aluminum Housing
- 3 Mil Powder Coat Finish.
- Frosted Acrylic Lens (Standard)
- Silicone Gasket to provide Weather-Tight Protection (IP65).

Optic Distribution.

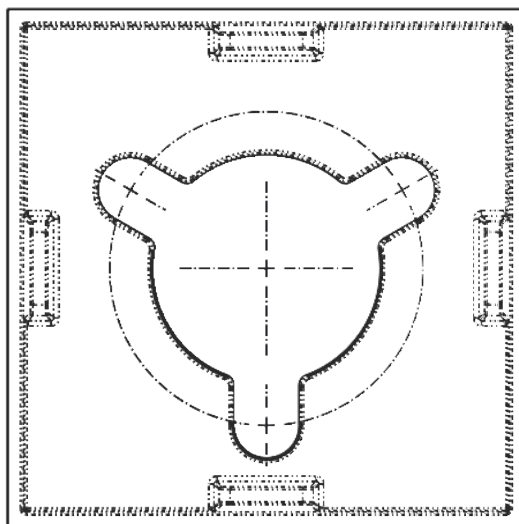
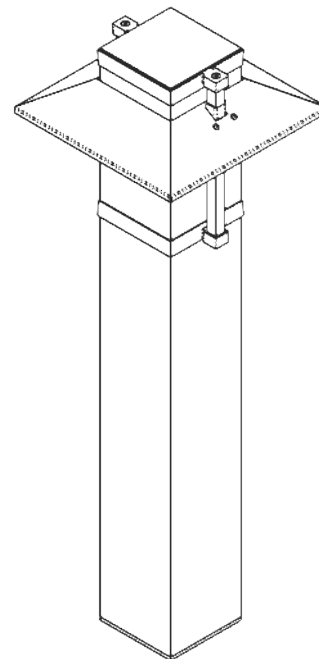
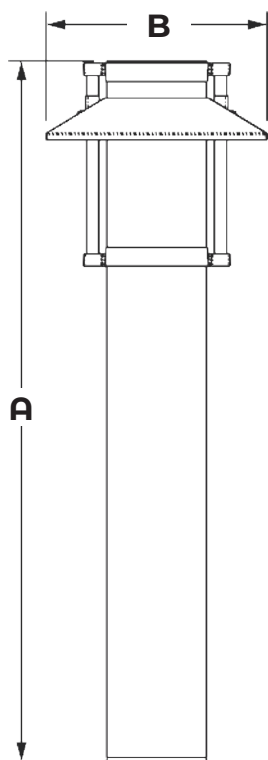


TYPE 5 (T5)

Example: JNS-I-SH1-20CLED-T2-40K-MV-BRZ-3S-OCC



Cat #	Shade	Wattage	Light Dist.	Color Temp.	Voltage	Color	Options
* Shade 1 only *JANUS Bollard (JNS-B)	Shade 1 (SH1)	15W (15CLED) 20W (20CLED) 30W (30CLED) 50W (50CLED)	Type 5 (T5)	3000K (30K) 4000K (40K) 5000K (50K)	120-277V (MV) 480V (HV)	Black (BLK) White (WH) Bronze (BRZ) Silver (SIL) Graphite (GPH) Marine Grade (MG)	*Micro Wave Sensor (MWS) *Motion Sensor Button Photo Cell (PC) Wireless controls (WC) Opal Acrylic Lens (OAL)



Dimensions			
Cat#	A	B	
JNS-B-SH1	42"	13" 3/8	6" Sq.

Cat #	Input Power	Lumen Output	LPW	Color Temp. (CCT)	CRI	Rated Life (L70)	Input Voltage	HID Equivalent
JNS-B-15CLED	20W	2,754	183	5000K	70+	>200,000	120-270V	50/60HZ
JNS-B-20CLED	25W	3,650	182	5000K	70+	>200,000	120-277V	50/60HZ
JNS-B-30CLED	35W	5,509	183	5000K	70+	>200,000	120-277V	50/60HZ
JNS-B-50CLED	55W	7,761	155	500K	70+	>200,00	120-277V	50/60HZ

Proudly Manufactured and Assembled in the USA