

*U-HPT-60 - 60W
*U-HPT-100 - 100W

LED Hourglass Post Top



Description

The Hourglass Post Top LED Lighting Series is a reliable, water resistant fixture that is best suited for outdoor applications. Whether you're looking to illuminate lawns, courtyards, or roadways, these fixtures are perfect for the job. Their sleek and durable design makes them a great source of illumination.



Applications

Parking Lots
Educational

Courtyards
Parks

Outdoor Retail
Roadways

Product Details

- Optimized design for even light distribution
- High efficiency LED driver, voltage AC 120-277
- Die-cast aluminum and water-resistant housing
- Excellent efficacy of 140 lm/W
- 0-10V Dimming capabilities

Spec Summary

Wattage	60W
Input Voltage	AC 120 - 277V
CCT	4000K/ 5000K
Light Source	SMD 2835 LEDs
Driver	WELED Power

DLC Listing: HPT06W27 | HPT10W27

Product	Power	Voltage	ColorTemp	FINISH	Control
HPT Hourglass Post Top Light	06W(60W) 10W(100W)	27 AC120-277V	40K (4000K) 50K (5000K) ± 500K	D (Dark Bronze) W (White) B (Black) S (Silvery)	M Motion Sensor

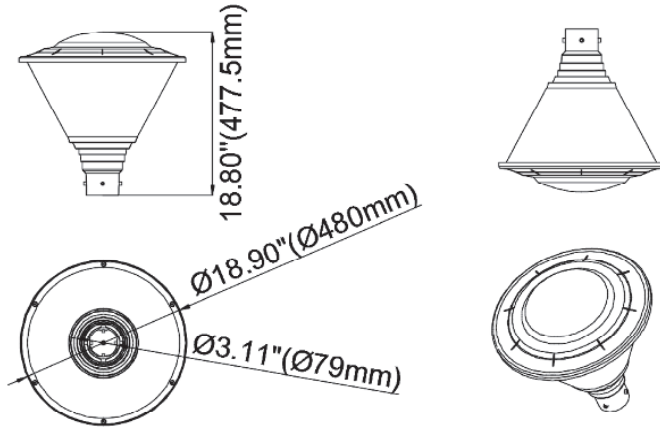
TECHNICAL PARAMETERS:

Type	DLC Listing: HPT06W27 HPT10W27		
Power	60W / 100W	Lighting Angle	162 ° / 159 °
Input Voltage	AC120-277V	LED Brightness Decay	<5%/6000 hrs
PF	≥0.90	Working Life	>75000 hrs
Driver Efficiency	≥87%	Working Temperature	-30 - +45°C
Luminous Flux	8520 Lm / 13500 Lm	Storage Temperature	-40 - +80°C
Color Temperature	4000K/5000K	Protection Level	Wet Location
CRI	Ra>70	Cable	3core,18AWG (0.5m)



LED Hourglass Post Top

*U-HPT-60 - 60W
*U-HPT-100 - 100W



Structure Features:

- Shell Materials: Aluminum & PC
- Finish: Dark Bronze/White/black/Silvery(OPTION)
- Net Weight: 5.63KG (12.4LBS)
- **Product Size: 480mmX477.5mm**
18.9"X18.8"
- **Carton Size: 505mmX505mmX535mm**
19.9"X19.9"X21.1"

PHOTOMETRY:

