

BLD/BLF Spartan Bollard

Outdoor

The Spartan Bollard is the LED alternative to traditional bollard lighting, which illuminates pathways, parking structures, or any kind of commercial real estate. Details at the top of the fixtures, add an architectural feel to the design, making this light great for customers looking for safety and style.



IP65



1-10V Dim



Toxin-Free



-40°C - 40°C
Operating



Photocell



10
Year
Warranty



Luminaire	Spartan Bollard	Type
Project		
Product		
Notes		

Features

- IP65 Rated
- Can be cut to custom lengths
- Built from high strength extruded aluminum

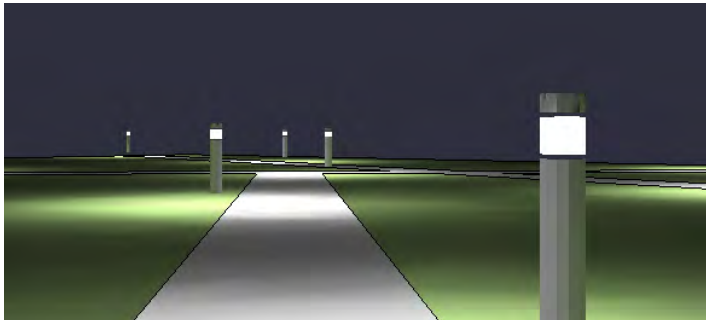
Order Format

Sample: BLD-24-40

Series	Wattage	CCT	Voltage	Dimming	Lens	Finish Color
BLD= Spartan Bollard Dome BLF=Spartan Bollard Flat	- 24=24W	- 40=4000K 50=5000K	- Blank=100-277V	- Blank=1-10V Dimming ND=Non-Dimming	Blank=Clear F=Frosted	Blank=Bronze

Application

The luminaire comes standard with an 8 bolt mounting kit. The Spartan Bollard can also be cut to custom lengths upon request.



Construction

ATG's Spartan LED bollard is built from high-strength extruded aluminum with a polycarbonate lens. The housing features integral thermal management and is IP65 rated for stellar protection from the elements. Operating ambient temperature ranges from -40°C to +40°C.



Electrical

The Spartan Bollard outputs 2,472+ Lm. The fixture operates at a standard voltage of 100-277V and draws 24W of power. L70 is rated for 50,000 hours, or approximately 11.5 years at 12 hours a day of operation.

Optics

The LED array is tight shielded by a clear polycarbonate lens. Available CCT options are 4000K, and 5000K, matched with an outstanding 70+ CRI for optimal nighttime visibility.

Certifications

- DLC Listed
- RoHS
- CE
- Title 24
- IP65 rated

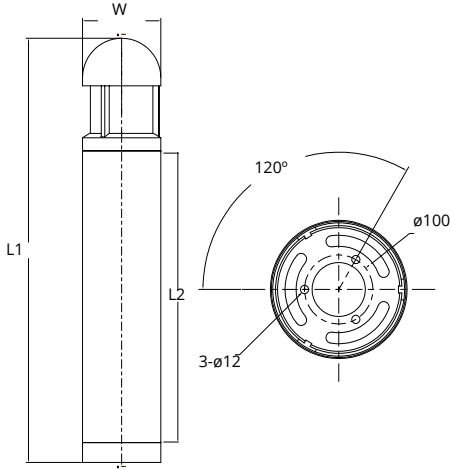
Input Voltage (VAC)	100-277
CRI	70+
CCT(K)	4,000, 5,000
PF	>.9
L70 (Hours)	50,000
Color	Bronze, Black
Housing	Aluminum v& PC
Lens	Clear
Temperature Range	-40°C to 40°C
Warranty	10 Years

Lumen Data

Wattage (W)	System Wattage	4K		5K	
		Efficacy (Lm/W)	Lumens (Lm)	Efficacy (Lm/W)	Lumens (Lm)
24W	24.1W	103	2,472	105	2,520

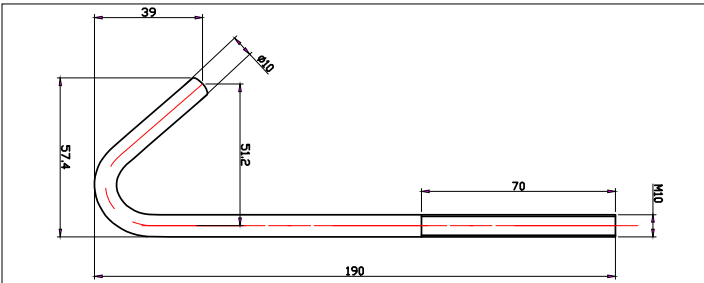
Dimensions

24W



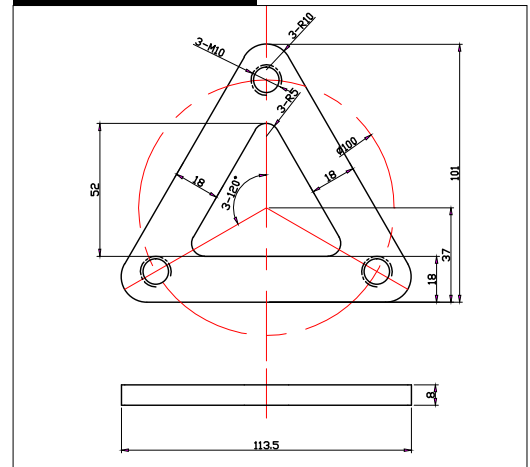
Part No.	Length (L1)	Length (L2)	Width(W)
BLD-24	42.1"	28.7"	7.9"

Recorded in inches

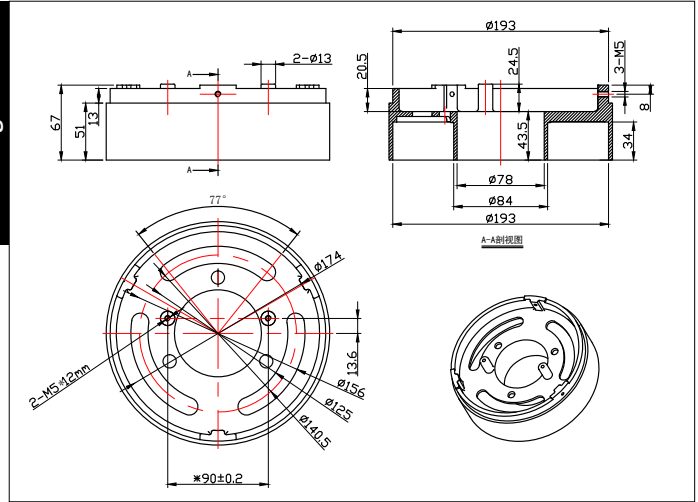


Bolt Pattern

Mounting Plate

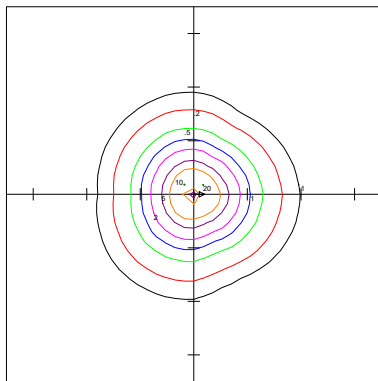


Base Flange



Photometric

60-100W
Replacement



BLD-24-40
Replaces 60W-100W

