

PROJECT	
PRODUCT	
PREPARER	
TYPE	
NOTES	



DESCRIPTION

A wall pack is well known for keeping a building's perimeter illuminated and also for providing security lighting. Nebulite's WPG series wall pack is suitable for wet and damp locations (Weatherproof IP65) and has a button photocell sensor to automatically turn on at night and off during the day for increased efficiency. It is a great choice for outdoor lighting that has an L70 Lifespan of 100,000 hours. Made from durable, corrosion-resistant aluminum housings and a great LED design ensures a long-lasting life and reduces the need for costly maintenance. Like most of our products, the WPG series wall pack is backed by Nebulite's 7 year warranty and is UL & DLC listed.

SPECIFICATIONS Product Features



Applications: Commercial, Retail, Institution, Warehouse, and Industrial. It is ideal for pathway illumination, building entrances, schools, tunnels, stairways, and loading docks.

Construction

- Die-cast Aluminum Housing
- Prismatic Glass Lens
- 6KV Surge Protection
- Four NPT Half Inch Knock Outs

Electrical

Voltage:
100-277 Volt

Wattage

40w, 50w, 60w (Selectable)
80w, 100w, 120w (Selectable)

Installation & Mounting

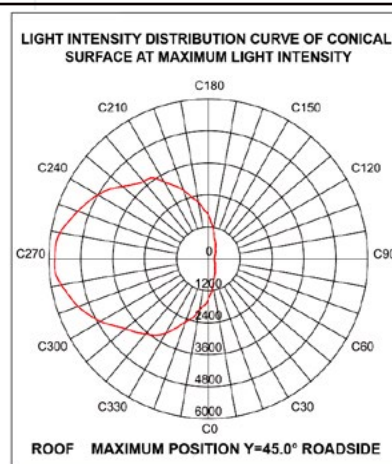
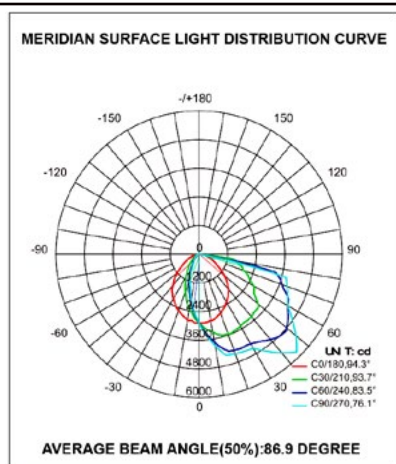
Luminaire mounting designed for standard J-Box. Can be mounted directly to surface. Features multiple conduit entries.

Controls & Dimming

0-10 Volt Dimming
12V AUX
Emergency Battery Back-up
Infrared and Daylight Sensor



LIGHT DISTRIBUTION CURVE



Performance Summary

Input Voltage	100-277V
Input Frequency	50/60 Hz
Rated Wattage	40W, 50W, 60W (Selectable) 80W, 100W, 120W (Selectable)
Efficacy	145 lm/W
CRI	>80
Available CCT	3500K, 4000K, 5000K (Selectable)
Rated Life (L70)	100,000 hrs
IP Rating	IP65
PF	>0.9
Certifications	DLC Premium, UL, CE, RoHS, FCC
Working Temp. (°C)	-40°F - 125°F
LED Light Source	SMD 2835

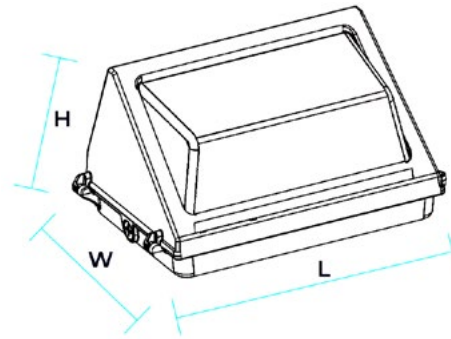


Dimensions

L = 14.21 Inches

W = 9.29 Inches

H = 7.6 Inches



Performance Data

MODEL	WATTAGE	CCT	LUMEN	EFFICACY (lm/W)	VOLTAGE
NB-WPG-40	40W	3500K 4000K 5000K	5,800lm	145 lm/W	100-277vac
NB-WPG-50	50W		7,250lm		
NB-WPG-60	60W		8,700lm		
NB-WPG-80	40W		11,600lm		
NB-WPG-100	50W		14,500lm		
NB-WPG-120	60W		17,400lm		

Ordering Format

Sample: NB-WPG-100W

SERIES	WATTAGE	CCT	VOLTAGE	OPTICS	FINISH*
NB-WPG	40W, 50W, 60W	35 = 3500K 40 = 4000K 50 = 5000K	BLANK = 100-277V	FORWARD	BLANK = Bronze BLK = Black WH = White SVL = Silver
	80W, 100W, 120W				

* contact the Nebulite sales team for turnaround time and pricing on finish color customizations

MOUNTING		OPTIONS			
JB	Standard J-Box	EM5	Emergency Battery Back-up (5W)	PC	Daylight Sensor
WM	Wall Mount	EM12	Emergency Battery Back-up (12w)	CF	Custom Finish

LED Emergency Back-Up Driver | Standard Side Exit Wire Leads | 5W Output

Driver Type	Constant Wattage LED Emergency
Max. Output Power	5W
Input Voltage	120-277 Vac \pm 10%
Output Voltage	20 ~ 54Vdc
Output Current	250 - 100mA
Warranty	5 Years



Product Features

- Drives LED loads at 5W (nominal) for a minimum of 90 minutes
- Meets FCC Part 15 (Class B) consumer limits
- Short circuit overload and open load protection
- Suitable for dry and damp locations
- Evaluated to UL 924 standards
- Operating temperature: 0°C/32°F to 50°C/122°F
- Input frequency: 50/60 Hz
- Test switch/Charging indicator light
- Battery pack with quick connect: NiCd
- Battery capacity: 1200mAh
- Listed for field or factory installation: UL 924 and CSA C22.2 no. 141 emergency lighting compliant
- 3A max. pass-through current

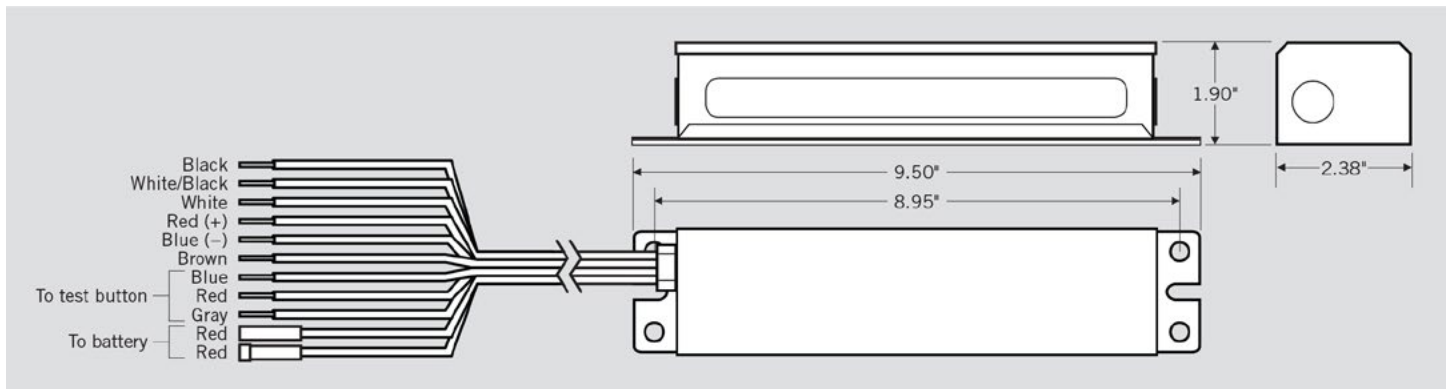
Emergency Pack does not meet CEC T20 requirements. Not to be sold or offered for sale in California, except when sold wholesale in California for final retail sale outside the state.

Electrical Specifications

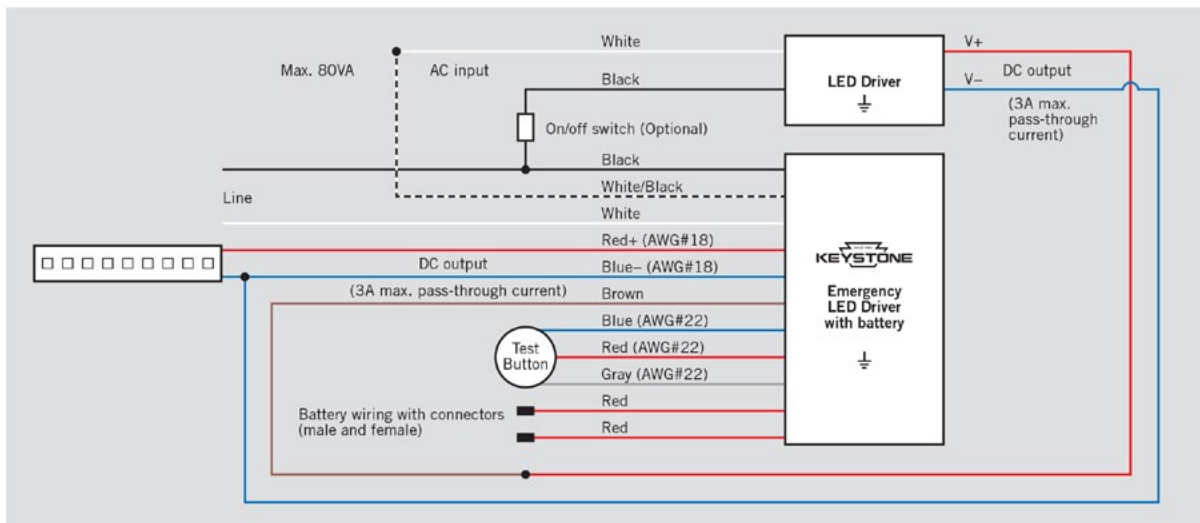
INPUT CHARACTERISTICS				OUTPUT CHARACTERISTICS		
Family	Input Voltage	Power Factor	Max. Current	Max. Output Power	Rated Output Current	Output Voltage
5W	120-277Vac	\geq 0.5	0.051A @ 120V	5W	250mA-100mA	20~54Vdc

Emergency pack designed to deliver 5W to a constant current LED load. Approximate output is 500 lumens, assuming a nominal minimum efficacy of 100 lm/W

Physical Specifications



Wiring Specifications



LED Emergency Back-Up Driver | Standard Side Exit Wire Leads | 12W Output

Driver Type	Constant Wattage LED Emergency
Max. Output Power	12W
Input Voltage	120-277 Vac \pm 10%
Output Voltage	20 ~ 54Vdc
Output Current	550 - 245mA
Warranty	5 Years



Product Features

- Drives LED loads at 12W (nominal) for a minimum of 90 minutes
- Meets FCC Part 15 (Class B) consumer limits
- Short circuit overload and open load protection
- Suitable for dry and damp locations
- Evaluated to UL 924 standards
- Operating temperature: 0°C/32°F to 50°C/122°F
- Input frequency: 50/60 Hz
- Test switch/Charging indicator light
- Battery pack with quick connect: NiCd
- Battery capacity: 3000mAh
- Listed for field or factory installation: UL 924 and CSA C22.2 no. 141 emergency lighting compliant
- 3A max. pass-through current

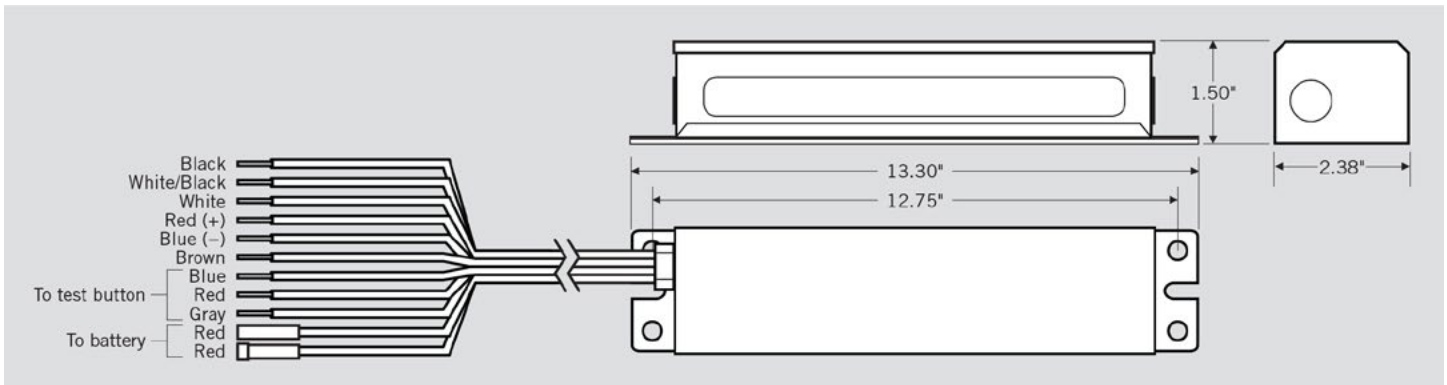
Emergency Pack does not meet CEC T20 requirements. Not to be sold or offered for sale in California, except when sold wholesale in California for final retail sale outside the state.

Electrical Specifications

	INPUT CHARACTERISTICS			OUTPUT CHARACTERISTICS		
Family	Input Voltage	Power Factor	Max. Current	Max. Output Power	Rated Output Current	Output Voltage
12W	120-277Vac	\geq 0.5	0.051A @ 120V	12W	550mA-245mA	20~54Vdc

Emergency pack designed to deliver 12W to a constant current LED load. Approximate output is 1200 lumens, assuming a nominal minimum efficacy of 100 lm/W.

Physical Specifications



Wiring Specifications

