



Description

Altech's Architectural Series Flood Light, represents the future of energy efficiency in facility illumination. The perfect low-profile, high-performance LED fixture when needed.



Applications

Ground Mount
Security Lighting

Wall Mount
Roof Mount

Pole Mount

Details

IP Rating	IP67
EPA Rating	0.9
Materials	Die Cast Aluminum
Lens	Glass (Minimal Glare)
L70 Life	200,000 Hours
Warranty	10 Years
CRI	70+
Qualification	UL, DLC Premium, FCC, CE, RoHS
Driver Man.	YG (100-277V), Inventronics (480V)

Electrical

Power Factor	0.99
Frequency	50/60 Hz
Max THD	15%
Operating Temp.	-40° F to 150° F -40 ° C to 65° C
Dimming	3 in 1 (Resistance, PWM, 1-10V)

DLC #:	U-HFL-15W-50-D	U-HFL-30W-50-D	U-HFL-60W-50-D	U-HFL-90W-50-D	U-HFL-120W-50-D	U-HFL-150W-50-D
Color Temp:	5000K	5000K	5000K	5000K	5000K	5000K
Input Wattage:	15W	30W	60W	90W	120W	150W
Lumens:	2,475 lm	4,890 lm	9,720 lm	14,940 lm	20,040 lm	24,300 lm
Equivalent:	75W MH	150W MH	300W MH	350W MH	550W MH	650W MH

Ordering Information

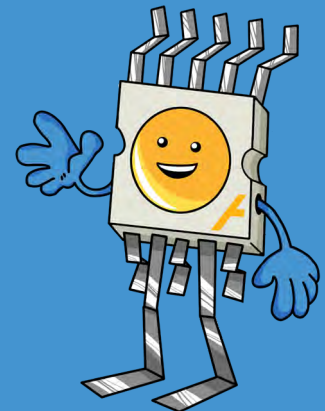
Example: U-HFL-PLY-60-165-50K-1-1-K-P-BZ

Lens Type	Wtg	Lumen Package	Color Temp.	Distribution	Input Voltage	Mounting	Options	Finish
TG - Tempered Glass*	15	165 - 165 lm/W*	30K - 3000K	1 - 120°*	1 - 100-277V*	T - Trunnion*	MS - Motion Sensor	BZ - Bronze*
PLY - Polycarbonate	30	175 - 175 lm/W	40K - 4000K		2 - 480V	K - Knuckle	P - Photocell	BL - Black
	60		50K - 5000K*				EI - Emergency Inverter	SV - Silver
	90		57K - 5700K			(Knuckle mount only available for 15W - 60W)	WP(X) - Additional Whip (X = specified length in ft.; 1.67' is standard)	GR - Gray
	120							SP - Other
	150							

*Standard

Additional Notes

- Only 5000K, 100-277V in BRONZE are stocked locally, check for ETA's
- Hot-start delays: .08 seconds (YG driver)
- Additional charges apply for items under "Options" column and non-standard colors
- Not all product variations listed on this page are DLC Premium qualified. To ensure that a specific model is qualified, visit www.designlights.org/search.



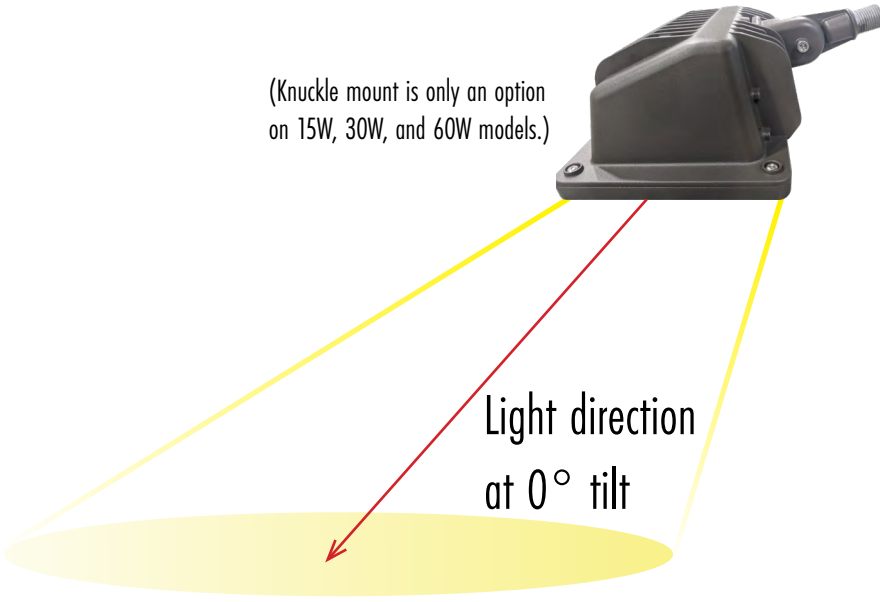
FLOOD LIGHT ARCHITECTURAL SERIES



Lumen Output (based on 5000K)

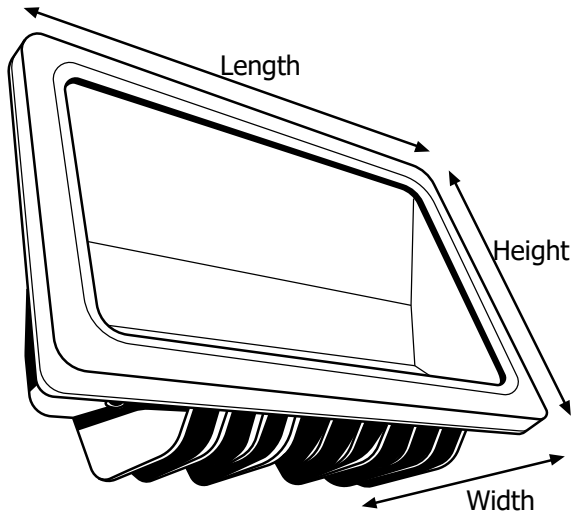
System Watts	Lumens	lm/W	B	U	G
15	2,475	165	0	0	0
	2,688	176	0	0	0
30	4,890	163	1	0	1
	5,377	178	1	0	1
60	9,720	162	1	0	2
	10,753	179	1	0 </td <td>2</td>	2
90	14,940	166	1	0	2
	16,132	180	2	0	2
120	20,040	167	2	0	2
	21,054	175	2	0	2
150	24,300	162	4	0	3
	26,935	175	4	0	4

(Knuckle mount is only an option on 15W, 30W, and 60W models.)



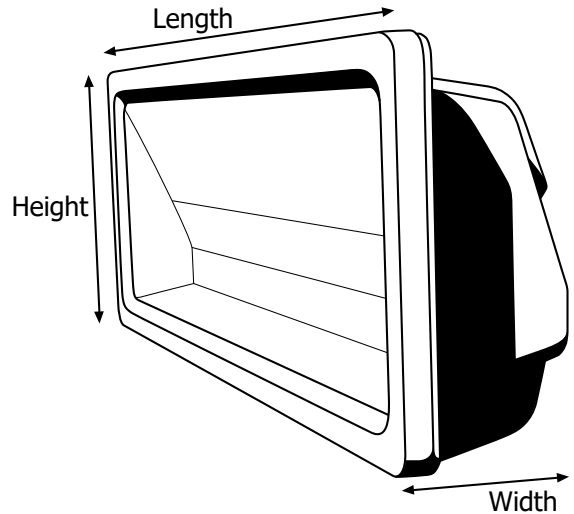
Fixture Dimensions and Weight

15, 30, & 60 Watt



Length	Width	Height	Weight
9.8 in.	3.75 in.	6.25 in.	4 lb.
249 mm.	95 mm.	165 mm.	1.81 kg.

90, 120, & 150 Watt



Length	Width	Height	Weight
15.75 in.	3.75 in.	6.25 in.	7 lb.
400 mm.	95 mm.	165 mm.	3.17 kg.

Wiring Precaution

The international color scheme is brown (hot), blue (neutral) and green/yellow (ground) wiring. Always disconnect power when installing or troubleshooting. Consult a licensed technician.

