



LED FLOOD LIGHTS

LFL-01-4LEDM10-MV SERIES

TYPE

SPECIFICATIONS

CONSTRUCTION: Extruded aluminum floodlight with cast aluminum adjustable swivel. Heavy-duty stamped aluminum Hood Extension available (add -HE to part number)

LENS: High impact clear acrylic

LIGHT SOURCE: 6x 10w integrated LED module, warm white 2700K, (5178 total lumens) or

6x 10w integrated LED module, cool white 4100K, (5178 total lumens)

LIFETIME RATING: 50,000 hours

SOCKET: None

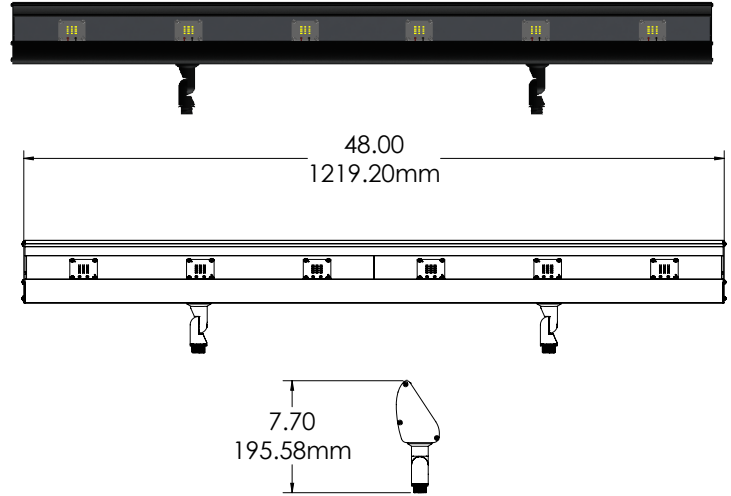
120V-277v INTEGRATED DRIVER: 6x10w output, 120v-277v 50/60Hz input.

WIRING 120v: Standard 120v Black, White and Ground 9" lead wires

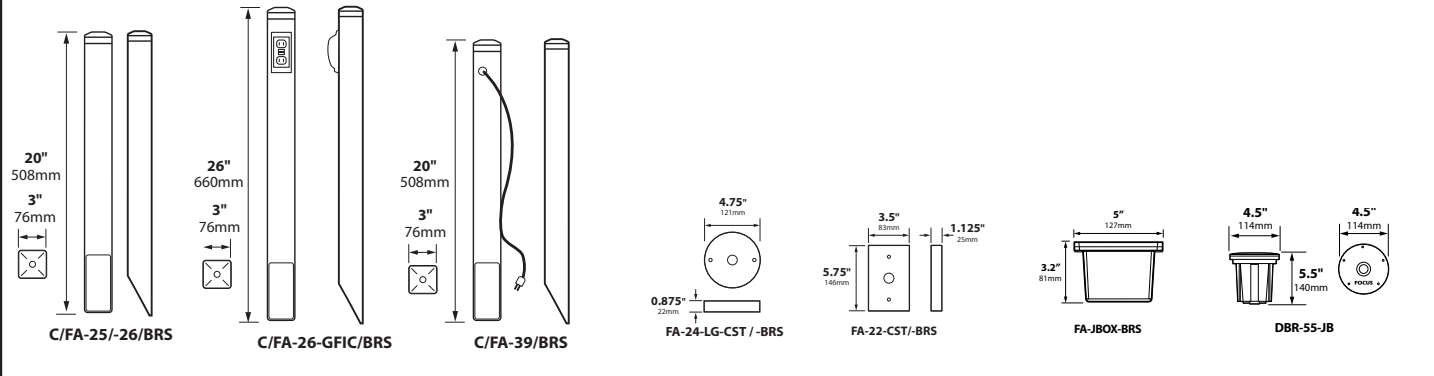
MOUNTING 120v: None supplied.

See Mounting Accessories below for options

FINISH: Black texture polyester powder coat. Optional finishes available



MOUNTING ACCESSORIES



BEAM/GLARE CONTROL ACCESSORIES

-HE Add to catalog number for Hood Extension

ORDERING INFORMATION

CATALOG NO.	DESCRIPTION	LAMP	SHIP WEIGHT
LFL014LEDM1027MVBTL	Aluminum Floodlight	60w, 2700K 120v-277v LED Modules	5.0 lbs.
LFL014LEDM1041MVBTL	Aluminum Floodlight	60w, 4100K 120v-277v LED Modules	5.0 lbs.

JOB INFORMATION

Type: _____ Date: _____

Job Name: _____

Cat. No.: _____

Lamp(s): _____

Specifier: _____

Contractor: _____

Notes: _____

Black Texture (Standard)	Antique Verde	Bronze Texture	Camel	White Texture	Hunter Texture	Rust	Weathered Iron	Weathered Brown	Stucco	Rubbed Verde	Chrome Powder	Acid Rust	Acid Verde	Black Acid Treatment
-BLT	-ATV	-BRT	-CAM	-WTX	-HTX	-RST	-WIR	-WBR	-STU	-RBV	-CPR	-BAR/CAR	-BAV/CAV	-BAT