



# LENA™

## NSF UFO High Bay



Beyond LED Technology's LENA NSF high bay light comes with smooth housing prevents the accumulation of substances such as food debris and dust, which is the premier choice for harsh ambient lighting. As an NSF certified product, the luminaire is IP66 and IP69 rated, withstand the rigors of food processing and high pressure washing. Its standard efficiency is 150 lumen per watt. But it can reach up to 190 lumen per watt, and its highest lumen reaches 38,000 lumens. Our LENA NSF High Bay supports built-in sensors and emergency functions for selection. The LENA NSF can be used in food processing and food safe environments. Applications include poultry processing, food and beverage processing, commercial kitchens and manufacturing facilities, among others.

### Product Features

- Up to 150 Lumens per watt
- Sealed optic available in wide beam angle
- 0-10V Dimmable
- 5ft long power and 1ft ong dimming cord provided for easier installation
- O Hook standard & Optional G Hook
- Built-in Microwave Sensor
- Input Voltage 120-277Vac
- IP69 Rated
- UL & DLC listed
- 5 Year Warranty

# LENA™

## NSF UFO High Bay



SKU #	Model #	Wattage	Lumens	CCT	Housing Color	Dimming	Mount	Input Voltage	Certifications
222111	XSY-HBDU150W-50KSV-DNCB	150W	Max. 22500Lm	5000K	White	0-10V	G Hook	120-277Vac	UL & DLC
222112	XSY-HBDU200W-50KSV-DNCB	200W	Max. 30000Lm	5000K	White	0-10V	G Hook	120-277Vac	UL & DLC
222115	XSY-HBDU200W-50KSV-DNCB	200W	Max. 30000Lm	5000K	White	0-10V	O Hook	120-277Vac	UL & DLC

### SKU: 222111 Specifications

Parameter	Description	Value
General Performance	Model #	XSY-HBDU150W-50KSV-DNCB
	Wattage	150W
	Lumens	Up to 22500LM
	Lumen Efficacy	Up to 150LM/W
	Color Temperature	5000K
	CRI (Ra)	>80
	Beam Angle	105° Degree
Electrical	Diffuser Type	PC Lens
	Input Voltage	120-277Vac
	Frequency	50/60Hz
	Dimming	0-10V
	Power Factor	0.9
	Driver Surge Protection	6KV
	Flicker Percent	Flicker Free
Physical	Operating Temperature	-40°C to 45°C
	Storage Temperature	-40°C to 45°C
	Operating Humidity	10%RH to 90%RH
	Storage Humidity	-10°C~65°C
	LED Brand	Lumileds
	LED Type	SMD2835
	LED QTY	400 Pcs
Qualification	Housing	White
	Housing Color	White
	IP Rating	IP69
	Warranty	5 Year



# LENA™

## NSF UFO High Bay

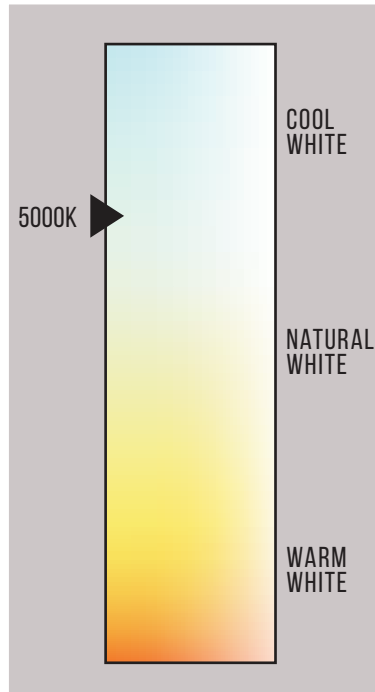
### SKU: 222112 / 222115 Specifications

Parameter	Description	Value
General Performance	Model #	XSY-HBDU200W-50KSV-DNCB
	Wattage	200W
	Lumens	Up to 30000LM
	Lumen Efficacy	Up to 150LM/W
	Color Temperature	5000K
	CRI (Ra)	>80
	Beam Angle	105o Degree
Electrical	Diffuser Type	Glass Lens / PC Lens
	Input Voltage	120-277Vac
	Frequency	50/60Hz
	Dimming	0-10V
	Power Factor	0.9
	Driver Surge Protection	6KV
	Flicker Percent	Flicker Free
Physical	Operating Temperature	-40°C to 45°C
	Storage Temperature	-40°C to 45°C
	Operating Humidity	10%RH to 90%RH
	Storage Himidity	-10°C~65°C
	LED Brand	Lumleds
	LED Type	SMD2835
	LED QTY	536 Pcs
Qualification	Housing	White
	Housing Color	White
	IP Rating	IP69
	Warranty	5 Year

# LENA™ NSF UFO High Bay

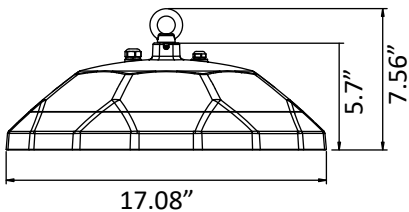


## Correlated Color Temperature (CCT)



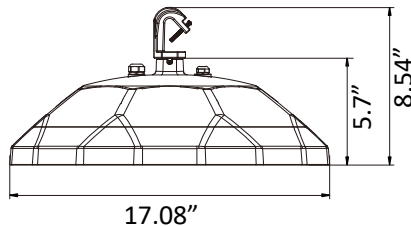
## Dimensions

150W - 200W



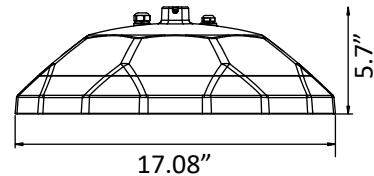
O Hook Mounting

150W - 200W



G Hook Mounting

150W - 200W



3/4" NPS Pendant Mounting



# LENA™ NSF UFO High Bay

## Brief Introduction

### Housing

IP66& IP69K  
Corrosion resistant  
No harmful substances or chemicals



### LED driver

0-10V Dim;  
AC120-277V/AC120-347V/  
AC277-480V

### Efficacy

150LM/W  
190LM/W

Glass or PC Lens  
(Both of them meet NSF certificate)

### Sensor

Microwave sensor

(Installed in the middle of Lens)

Maximum sensing height through Glass lens: 8M/26FT

Maximum sensing height through PC lens: 10M/33FT

Note: PC lens is recommended for NSF standard applications. Glass lens can be used where chemical cleaning is involved.

## Optional Accessories

### Sensor

Factory-Installable ONLY



XMSMH-H-HBD  
Built-in Microwave Sensor for X-HBD

Field-Installable / Field-Use ONLY (purchased separately)



HD06  
Remote Control

### Emergency Battery Backup

Factory-Installable OR Field-Installable (field-installable purchased separately)



XEBB01-25WAC  
Emergency Battery Backup  
EMUUFO-25170-YY II -25W/90min,  
for XSY-HBD80W~150W, at AC120-277/347V



XEBB02-40WAC  
Emergency Battery Backup  
EMUFO-40170-YY II -40W/90min,  
for XSY-HBDU200W, at AC120-277/347V



XEBB01-25WAC  
Emergency Battery Backup  
EMUUFO-40500DI-YY -40W/90min,  
for XSY-HBDU80W~200W, at AC277-480V

# LENA™ NSF UFO High Bay




## Optional Mounts and Brackets

Field-Installable (field-installable purchased separately)

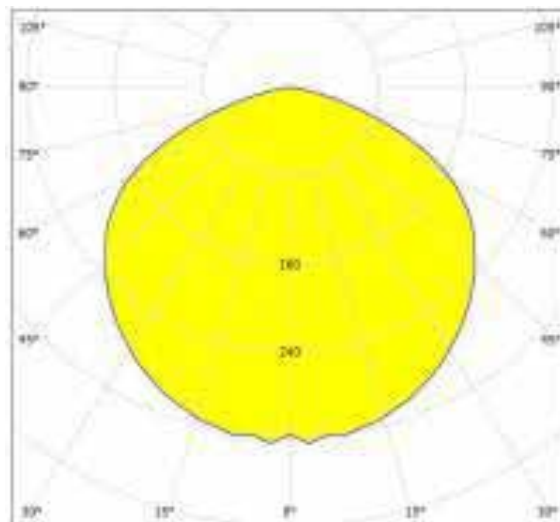
	<p><b>XGH-M12-HBD</b> G Hook for HBD</p>		<p><b>XWEM12TINPS3/4A-RHB</b> External Threads M12 to Internal Threads 3/4\"NPS Adapter Wiring for HBD</p>
	<p><b>XM12TINPS3/4JBKW-RHB</b> Junc on Box Kit - 3/4\"NPS to Internal Threads 3/4\"NPS Junc on Box, Without Cable Waterproof Connector, White for HBD</p>		

## Reflector

Field-Installable (field-installable purchased separately)

	<p><b>XPCR-HBD</b> Polycarbonate Refractor -100 degree for HBD</p>
--	--

## Photometric



Wide Beam Angle



# LENA™

## NSF UFO High Bay

### Installation

Upon receipt of fixture, thoroughly inspect for any freight damage. All damage should be reported to the delivery carrier. Compare the catalog description listed on the packing slip with the fixture label on the inside of the housing to be sure you have received the correct merchandise.

#### READ AND FOLLOW THESE SAFETY INSTRUCTIONS!

- To reduce the risk of death, personal injury or property damage from fire, electric shock, falling parts, cuts/abrasions, and other hazards please read all warnings and instructions included with and on the fixture box and all fixture labels.
- Before installing, servicing, or performing routine maintenance on this equipment, follow these general precautions.
- Commercial installation, service and maintenance of luminaires should be performed by a qualified licensed electrician.
- For Residential installation: If you are unsure about the installation or maintenance of the luminaires, consult a qualified licensed electrician and check your local electrical code.
- Maintenance of the luminaires should be performed by person(s) familiar with the luminaires' construction and operation and any hazards involved. Regular fixture maintenance programs are recommended.
- This fixture is intended to be connected to a properly installed and grounded UL listed junction box.
- It will occasionally be necessary to clean the outside of the refractor/lens. Refractor/lens should be washed in a solution of warm water and any mild, non-abrasive household detergent, rinsed with clean water and wiped dry. Should optical assembly become dirty on the inside, wipe refractor/lens and clean in above manner, replacing damaged gaskets as necessary.
- DO NOT INSTALL DAMAGED PRODUCT! This luminaire has been properly packed so that no parts should have been damaged during transit. Inspect to confirm.
- Any part damaged or broken during or after assembly should be replaced.
- These instructions do not purport to cover all details or variations in equipment nor to provide every possible contingency to meet in connection with installation, operation, or maintenance. Should further information be desired or should particular problems arise which are not covered sufficiently for the purchaser's or owner's purposes, this matter should be referred to manufacturer.

#### WARNING RISK OF ELECTRIC SHOCK

- Disconnect or turn off power before installation or servicing.
- Verify that supply voltage is correct by comparing it with the luminaire label information.
- Make all electrical and grounded connections in accordance with the National Electrical Code (NEC) and any applicable local code requirements.
- All wiring connections should be capped with UL approved wire connectors.

#### CAUTION RISK OF FIRE

- Keep combustible and other materials that can burn, away from lamp/lens.
- Do not operate in close proximity to persons, combustible materials, or substances affected by heat.

#### CAUTION RISK OF INJURY

- Wear gloves and safety glasses at all times when removing luminaire from carton, installing, servicing or performing maintenance.
- Avoid direct eye exposure to the light source while it is on.

# LENA™

## NSF UFO High Bay



### Installation

#### CAUTION RISK OF PRODUCT DAMAGE

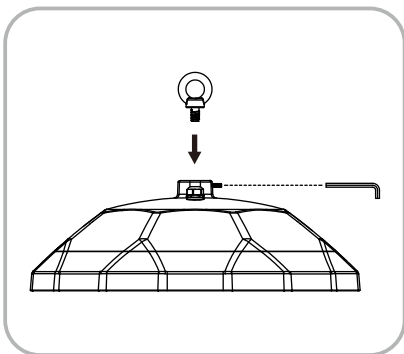
- Never connect components under load.
- Do not mount or support these fixtures in a manner that can cut the outer jacket or damaged wire insulation.
- Unless individual product specifications deem otherwise: Never connect an LED product directly to dimmer packs, occupancy sensors, timing devices, or other control devices. LED fixtures must be powered directly off a switched circuit.
- Unless individual product specifications deem otherwise: Do not restrict fixture ventilation. Allow for some volume of airspace around the fixture. Avoid covering LED fixtures with insulation, foam, or other material that will prevent convection or cooling.
- Unless individual product specifications deem otherwise: Do not exceed fixtures' maximum ambient temperature.
- Only use the fixture in its intended location.
- LED products are polarity sensitive. Ensure proper polarity before installation.
- Electrostatic Discharge (ESD): ESD can damage LED fixtures. Personal grounding equipment must be worn during all installation or servicing of the unit.
- Do not touch individual electrical components as this can cause ESD, shorten lamp life, or alter performance.
- Some components inside the fixture may not be serviceable. If your unit requires service, stop using the unit immediately and contact a manufacture representative for assistance.
- Changes or modifications not expressly approved by manufacturer will void the product warranty.
- Always read the fixtures' complete installation instructions prior to installation for any additional fixture -specific warnings.

#### PACKAGE

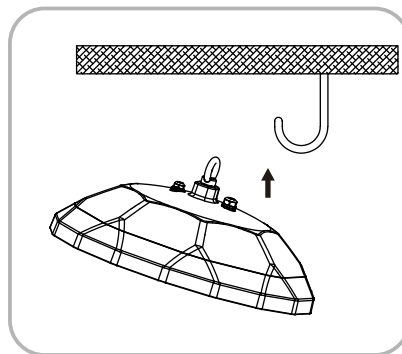
1. NSF UFO High Bay
2. Installation Instruction.

#### INSTALLATION INSTRUCTIONS

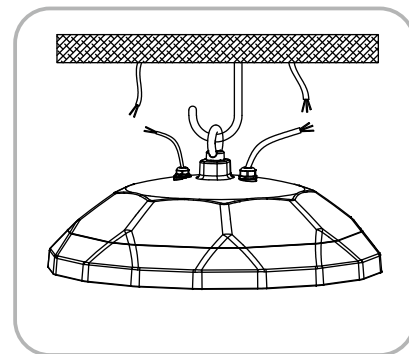
- O/G hook Installation



1. Fix the ring to the lamp (rotate clockwise), tighten the screw



2. Put the ring into the mounting hook



3. Wired as required under safety protection



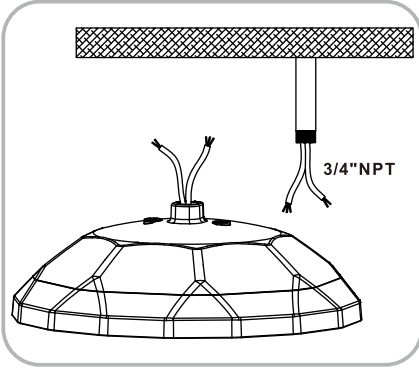


# LENA™

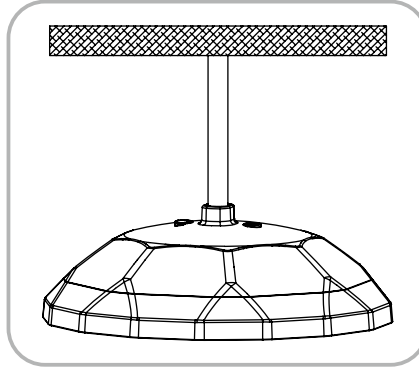
## NSF UFO High Bay

### Installation

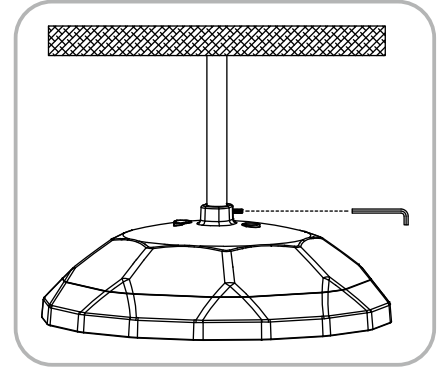
#### • Pendant installation



1. Wired as required under safety protection

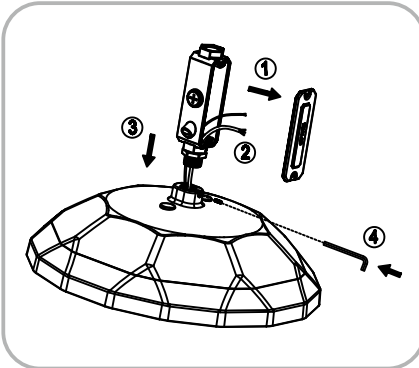


2. Rotate the lamp to the mounting pipe (rotate clockwise)

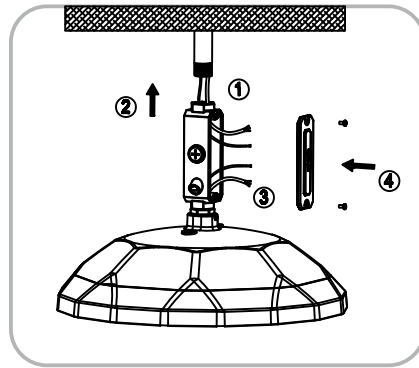


3. Tighten the screw

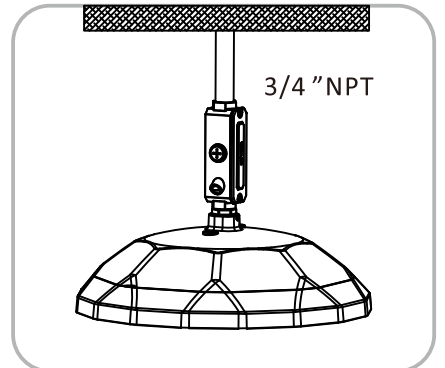
#### • Pendant with junction box installation



1. Remove the cover, thread the wire into the junction box, and tighten the terminal box and set screw



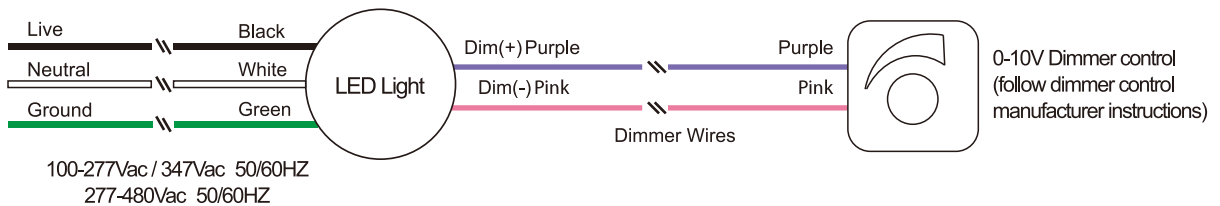
2. Thread the wire into the junction box, install the junction box on the pipe, wire according to the requirements, take protective measures, and lock the cover



3. Installation effect

### TROUBLESHOOTING

1. Check that the line voltage at the fixture is correct. Refer to wiring directions.
2. Is the fixture grounded properly.
3. Be sure the photocell, if used, is functioning properly.



# LENA™

## NSF UFO High Bay



### Packaging

SKU	Dimensions	Qty.	Net Weight	Gross Weight
222111	18.90 x 18.90 x 7.48	1 Pc/Box	13.66 LBS	15.21 LBS
222112	18.90 x 18.90 x 7.48	1 Pc/Box	15.43 LBS	17.20 LBS
222115	18.90 x 18.90 x 7.48	1 Pc/Box	15.43 LBS	17.20 LBS



# LENA™

## NSF UFO High Bay

### Application



### Warranty

5 Year Warranty