

**Description**

The VT4S Vapor Tight is designed for low to medium mounting heights. Ideal for applications where dirt, dust, humidity, moisture and cold temperatures are present. Can be pendant or flush mounted.



**Applications**

Freezers / Coolers  
Parking Garage

Toll Booths  
Security Lighting

Pathways  
Tunnels

**Details**

IP Rating	IP67
Materials	Aluminum and Polycarbonate
Lens	Frosted Polycarbonate
L70 Life	70,000 Hours
Warranty	5 Years
CRI	80+
Qualification	UL, DLC 4.2, FCC, CE, RoHS
Driver Man.	YG (100-277V), Mean Well (480V)
Chip Man.	Philips

**Electrical**

Power Factor	0.99
Frequency	50/60 Hz
Max THD	13%
Operating Temp.	-40° F to 130° F -40° C to 54° C
Dimming	0-10V

DLC #:	U-VT4-40	U-VT4-60
MODEL #:	AE-L-VT4S-40	AE-L-VT4S-60
Input Wattage:	40W	60W
Lumens:	4,920 lm	6,780 lm
Equivalent:	144W FL	216W FL

VAPOR TIGHT INDUSTRIAL SERIES

**Ordering Information**

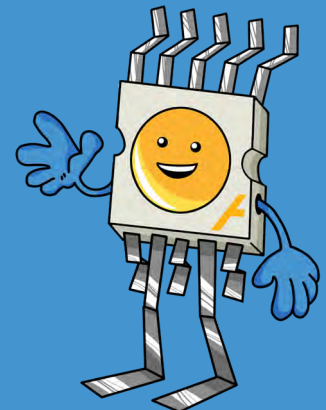
Example: AE-L-VT4S-40-115-50K-1-1-F-WP-GR

Wtg	Lumen Package	Color Temp.	Distribution	Input Voltage	Mounting	Options	Finish
40 60	115 - 115 l/W*	30K - 3000K 40K - 4000K 50K - 5000K* 57K - 5700K	1-220°*	1 - 100-277V* 2 - 480V	F - Flush* P - Pendant**	MS - Motion Sensor EI - Emergency Inverter (X)P - (X)-Pin Twist-Lock Base (X = select one: 3,5, or 7) WP(X) - Additional Whip (X = specified length in ft.; 2.5' is standard)	GR - Gray*

\*Standard \*\*Hardware not included

**Additional Notes**

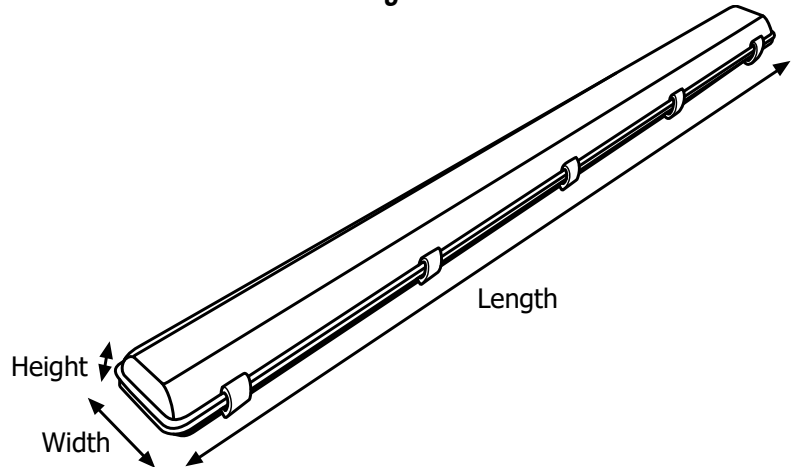
- Only 5000K, 100-277V in GRAY are stocked locally, check for ETA's
- Step-down dimming motion sensors are for 100-277V models only
- Hot-start delays: .08 seconds (YG driver), 1 second (Mean Well driver)
- Additional charges apply for items under "Options" column



### Lumen Output

System Watts	CCT	Lumens	lm/W
40	3000K	4,600	115
	3500K	4,680	117
	4000K	4,760	119
	4500K	4,840	121
	5000K	4,920	123
60	3000K	6,300	105
	3500K	6,420	107
	4000K	6,540	109
	4500K	6,660	111
	5000K	6,780	113

### Fixture Dimensions and Weight



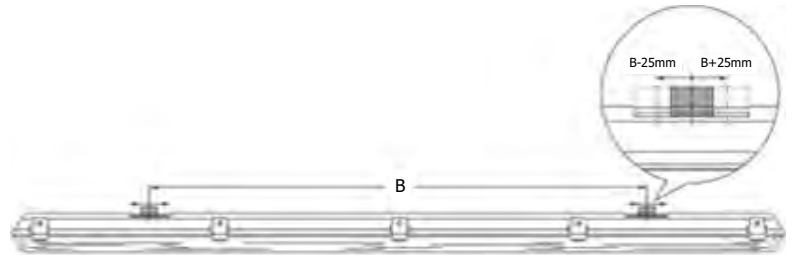
Length	Width	Height	Weight
50 in.	5.8 in.	4.2 in.	5.3 lb.
1,270 mm.	147 mm.	4.2 mm.	2.4 kg.

### Mounting

Ceiling Mount



Suspension Mount



### Accessories and Options

Phenix Internal Emergency Inverter (18470X-2) (optional)



Multi-Level Motion Sensor (optional)



Universal Stainless Steel Mounting Bracket



### Wiring Precaution

The international color scheme is brown (hot), blue (neutral) and green/yellow (ground) wiring. Always disconnect power when installing or troubleshooting. Consult a licensed technician.

