



## Key Features

- High luminous 235lm/w BridgeLux 3030/5050 SMD LED chips, the luminous efficacy of entire lamp reaching up to 160lm/w
- Waterproof Meanwell drivers, providing stable working environment of current input and output
- Special asymmetrical lens optic for homogeneous light distribution and low glare
- Heavy duty, powder-coated die-casting aluminum housing, making the lighting fixture more solid and durable
- Customized light shield for avoiding light spilled and achieving good illumination
- IP65 waterproof fixture with robust 300W module design, suitable for indoors and outdoors lighting
- Providing laser locator optionally, adjusting precisely the light direction according to different installation needs
- Long service life of 100,000hrs, 5 years guaranteed

**IP65** **160<sub>lm/w</sub>** **BridgeLux** 3030/5050 Chips **5** Year Warranty

## Applications



## Options



### Laser Locator:

Laser positioning, the laser can be used to adjust the irradiation angle of the lamp during the installation



### Optional Beam Angle:

A variety of optical beam angle are available to meet the needs of more application scenarios



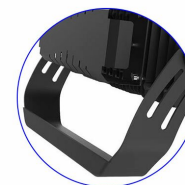
### Heat Dissipation Design:

Surge black floding sheet, fins ventilation design, increasing heat dissipation area and improving heat dissipation efficiency



### Mounting Bracket:

High thickened U-bracket, ensuring the installation more firm and matching different installation requirements



### Adjust The Lighting Angle Flexibly:

Adjusting the lighting angle of the lamp through the bracket, each adjustment is 5 degree



### Waterproof Power Box Design:

Fixing the position of the power supply and protecting the power supply



## Parameters

Wattage	Model No.	lm/W	lm	Color Tempt.	Beam Angle	CRI	Lifetime	Equivalent Replacement
300W	OAK-SMD-FL-300E	160	48,000	1700K-10,000K	15°, 30°, 60°, 90°, 45° polarized	≥80	≥100,000hrs	600W Metal Halide Lamp
600W	OAK-SMD-FL-600E	160	96,000	1700K-10,000K	15°, 30°, 60°, 90°, 45° polarized	≥80	≥100,000hrs	1200W Metal Halide Lamp
900W	OAK-SMD-FL-900E	160	144,000	1700K-10,000K	15°, 30°, 60°, 90°, 45° polarized	≥80	≥100,000hrs	1800W Metal Halide Lamp
1200W	OAK-SMD-FL-1200E	160	192,000	1700K-10,000K	15°, 30°, 60°, 90°, 45° polarized	≥80	≥100,000hrs	2400W Metal Halide Lamp
1800W	OAK-SMD-FL-1800E	160	288,000	1700K-10,000K	15°, 30°, 60°, 90°, 45° polarized	≥80	≥100,000hrs	3600W Metal Halide Lamp

## Specifications

### Electrical Data

Voltage (V) AC 100-305V

Frequency (Hz) 50/60

Power Factor (λ) ≥0.9

Operating Mode Integrated LED Driver

Electrical Connection Max 3x1.0 mm<sup>2</sup> wire

Total Harmonic Distortion ≤20%

### Colors & Materials

Color ( Housing) Black, or customized depend upon needs

Material ( Housing) Die-Cast aluminum

Material ( Diffuser) Tempered Glass

### Certificates & Standards

Driver Certificates CE / UL / SAA / BIS / ENEC / EAC / CB, etc.

Fixture Certificates CE / RoHS

IP Grade IP65

### Temperatures & Operating Conditions

Ambient temperature 25°C

Operating temperature -30 ~ +50°C

Storage temperature -40 ~ +60°C

### Capabilities

UGR ≤25-30

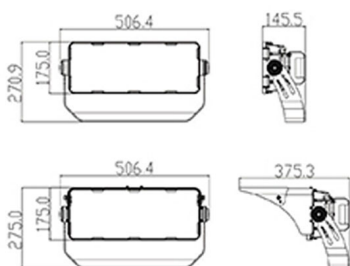
Dimmable 1-10V/DALI/DMX Dimming (for option)

LED Module replacable No

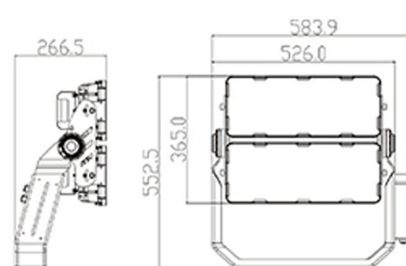
Installation Wall/Surface Mounted/Pole Mounted

## Dimensions

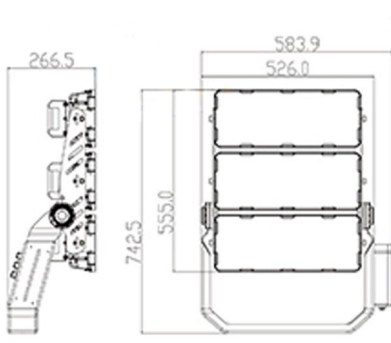
Wattage	Model No.	Luminaire Dimension	Luminaire Weight
300W	OAK-SMD-FL-300E	L506.4×W270.9×H145.5mm	9.5kg
600W	OAK-SMD-FL-600E	L583.9×W552.5×H266.5mm	22.5kg
900W	OAK-SMD-FL-900E	L583.9×W742.5×H266.5mm	29.5kg
1200W	OAK-SMD-FL-1200E	L583.9×W932.5×H266.5mm	37kg
1800W	OAK-SMD-FL-1800E	L982.2×W642.5×H266.5mm	51.5kg



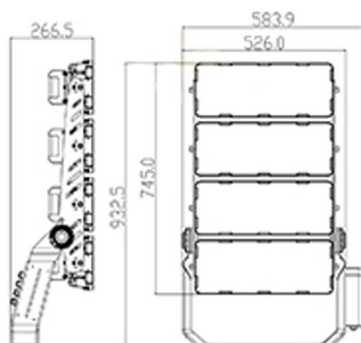
300W: L506.4×W270.9×H145.5mm



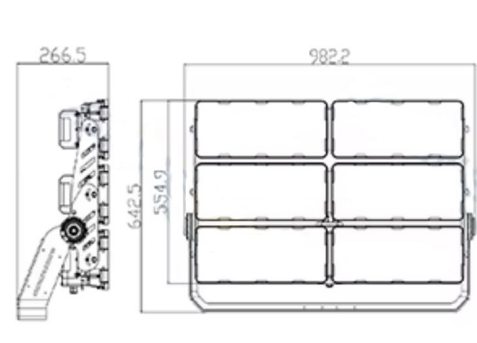
600W: L583.9×W552.5×H266.5mm



900W: L583.9×W742.5×H266.5mm



1200W: L583.9×W932.5×H266.5mm



1800W: L982.2×W642.5×H266.5mm

## Product Photos



300W



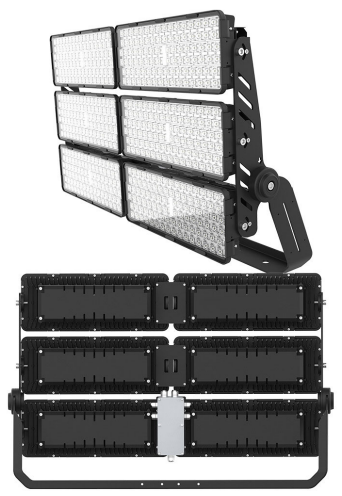
600W



900W



1200W



1800W

## Product Exploded View

