

HBEL Skyline Linear High Bay



Indoor

ATG's Skyline Linear High Bay is built for the ground up for performance and versatility. The high-performance fixture is designed to meet DLC's stringent Premium requirements in a variety of use cases. Deployable in damp locations and temperatures ranging from -20C to 50C, this precisely constructed lamp is ideal for virtually all indoor commercial use.



0-10V Dim



Toxin-Free



-20°C - 50°C
Operating



Photocell



Motion
Sensor



10
Year
Warranty



EM Driver



Luminaire	Skyline Linear High Bay	Type
Project		
Product		
Notes		

Features
<ul style="list-style-type: none"> • Functions well in damp locations • Luminous efficacy >130 Lm/W • Mounted using cable mount, pendant or chain

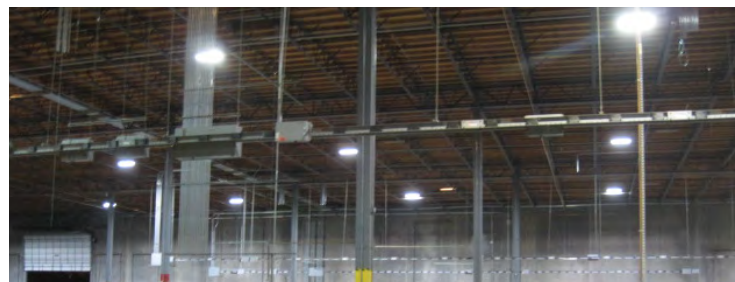
Order Format

Sample: HBEL-2FT-160-50-F-G2

Series	Length	Wattage	CCT	Voltage	Dimming	Lens	Generation
HBEL=Skyline Linear High Bay	- 2FT=2 Feet 4FT=4 Feet	- 90=90W 110=110W 135=135W 162=162W 223=223W 321=321W	- 40=4000K 50=5000K	- Blank=120-277V	- Blank=0-10V Dimming ND=Non-Dimming	Blank=Clear F=Frosted	G2=Generation 2

Application

This Linear High Bay is best mounted via V-hook or surface mounting. The fixture can also be mounted through pendant, or chain. Our lighting consultant can work with you to determine the optimal model for your mounting height. **V-hook and jack chain included in box.**



Construction

The Skyline's housing is precisely formed for industrial environments. The fixture functions at temperatures ranging from -20C to 50C.

Electrical

The luminaire is available with wattages of 90- 321W. Luminous efficacy is ~130 Lm/W across all wattages. Units are available with a standard 120-277, with a 347-480 VAC driver option.

Optics

The Skyline's light distribution is optimized for professional environments requiring high levels of illumination and visual detail.

Certifications

- DLC Premium
- UL listed
- CE
- Title 24
- RoHS

Input Voltage (VAC)	120-277, 347-480
CRI	80
CCT(K)	4000, 5000
PF	>.9
THD	<20%
L70 (Hours)	50,000+
Color	White
Housing	Aluminum
Lens Material	Plastic
Lens Type	Frosted, Clear
Temperature Range	-20°C to 50°C
Warranty	10 Years

Lumen Data

Catalog Number	Wattage (W)	Length	40K	
			Efficacy (Lm/W)	Lumens (Lm)
HBEL-2FT-90-40	90W	2FT	130	11,700
HBEL-2FT-110-40	110W	2FT	130	14,300
HBEL-2FT-135-40	135W	2FT	130	14,410
HBEL-2FT-160-40	162W	2FT	130	21,060
HBEL-2FT-220-40	223W	2FT	130	28,990
HBEL-4FT-320-40	321W	4FT	130	41,730

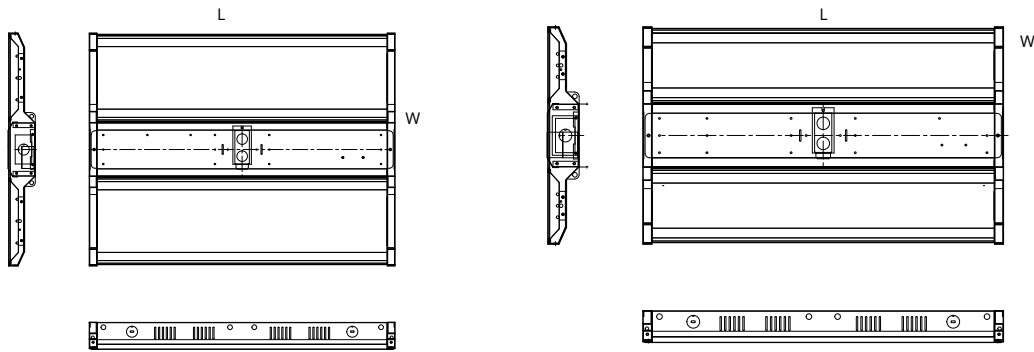
Catalog Number	Wattage (W)	Length	50K	
			Efficacy (Lm/W)	Lumens (Lm)
✓ HBEL-2FT-90-50	90W	2FT	131	11,790
HBEL-2FT-110-50	110W	2FT	131	14,410
HBEL-2FT-135-50	135W	2FT	131	17,685
✓ HBEL-2FT-160-50	162W	2FT	131	21,222
✓ HBEL-2FT-220-50	223W	2FT	131	29,213
✓ HBEL-4FT-320-50	321W	4FT	131	42,051

✓ Stock Item
ATG Core Product

*available in 2 ft and 4 ft

Dimensions

90W
162W
223W



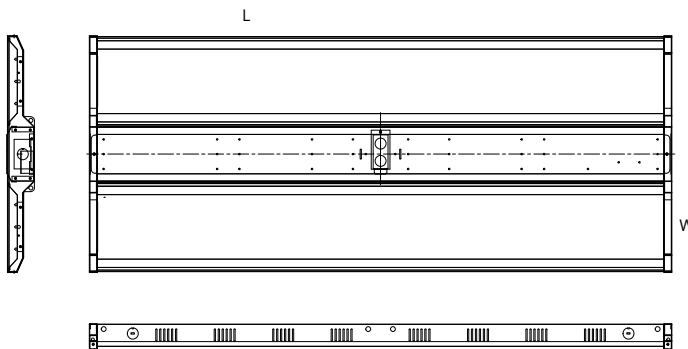
Part No.	Length (L)	Width(W)
HBEL-2FT-90	24.8	14.9
HBEL-2FT-162	24.8	14.9
HBEL-2FT-223	24.8	18.9

Recorded in inches

Part No.	Length (L)	Width(W)
HBEL-4FT-321	46.5	18.9

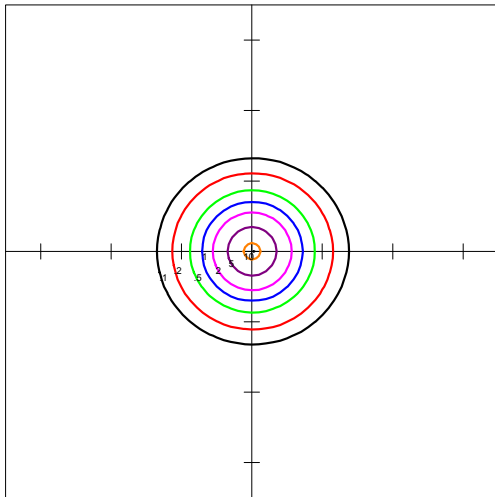
Recorded in inches

321W



Coverage

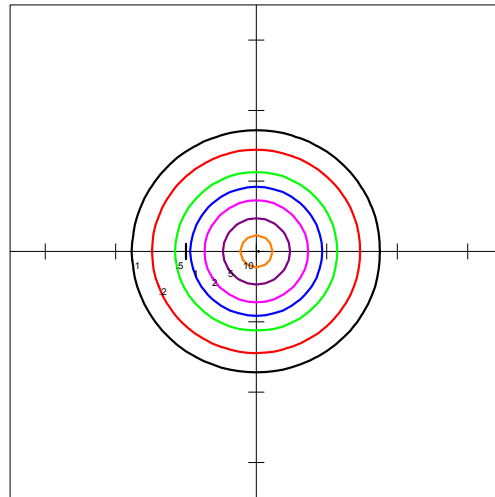
HBEL-2FT-162-50-F @20'



ATG Electronics
SKYLINE HBEL-2FT-90-50-F-XX
24.8"L. X 14.9"W. X 2.25"H. LED HIGH BAY FIXTURE
WITH FROSTED LENS

Horizontal Footcandles
Scale: 1 Inch = 40 Ft.
Light Loss Factor = 1.00
Lumens Per Lamp = N.A. (absolute photometry)
Luminaire Lumens = 11790
Mounting Height = 20.00 Ft
Maximum Calculated Value = 11.33 Fc
Arrangement: Single

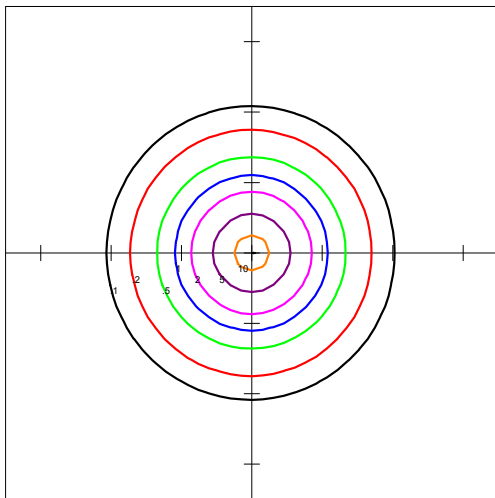
HBEL-2FT-162-50-F @25'



ATG Electronics
SKYLINE HBEL-2FT-162-50-F-XX
24.8"L. X 14.9"W. X 2.25"H. LED HIGH BAY FIXTURE
WITH FROSTED LENS

Horizontal Footcandles
Scale: 1 Inch = 40 Ft.
Light Loss Factor = 1.00
Lumens Per Lamp = N.A. (absolute photometry)
Luminaire Lumens = 21222
Mounting Height = 25.00 Ft
Maximum Calculated Value = 13.10 Fc
Arrangement: Single

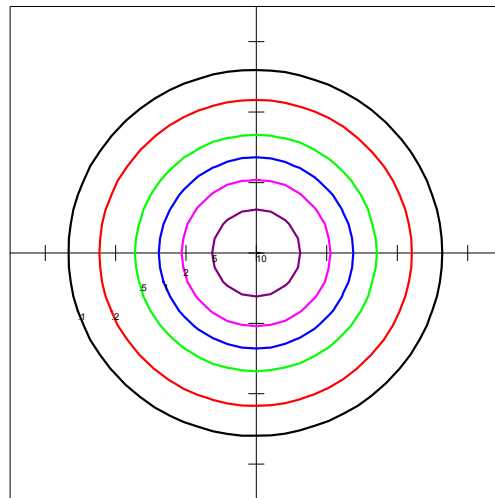
HBEL-2FT-223-50-F @30'



ATG Electronics
SKYLINE HBEL-2FT-223-50-F-XX
24.8"L. X 14.9"W. X 2.25"H. LED HIGH BAY FIXTURE
WITH FROSTED LENS

Horizontal Footcandles
Scale: 1 Inch = 40 Ft.
Light Loss Factor = 1.00
Lumens Per Lamp = N.A. (absolute photometry)
Luminaire Lumens = 29213
Mounting Height = 30.00 Ft
Maximum Calculated Value = 12.51 Fc
Arrangement: Single

HBEL-4FT-321-50-F @40'



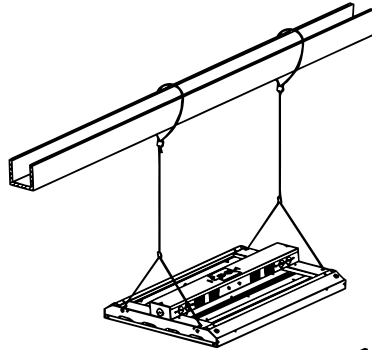
ATG Electronics
SKYLINE HBEL-2FT-321-50-F-XX
24.8"L. X 14.9"W. X 2.25"H. LED HIGH BAY FIXTURE
WITH FROSTED LENS

Horizontal Footcandles
Scale: 1 Inch = 40 Ft.
Light Loss Factor = 1.00
Lumens Per Lamp = N.A. (absolute photometry)
Luminaire Lumens = 42051
Mounting Height = 40.00 Ft
Maximum Calculated Value = 10.02 Fc
Arrangement: Single

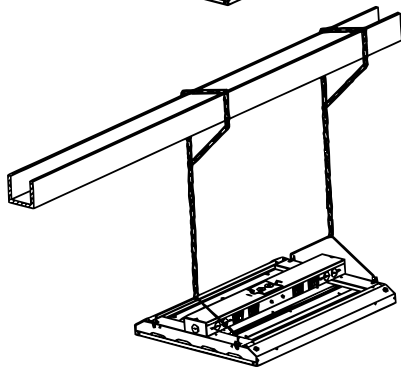
Mounting

V-hook and jack chain included in box.

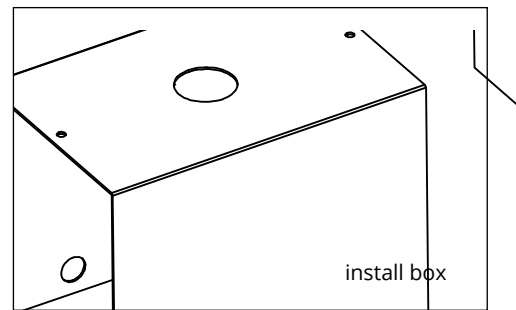
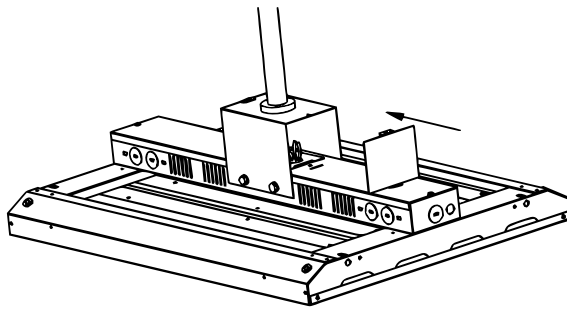
Cable Kit



Chain Mount



Pendant Mount



Surface Mount

