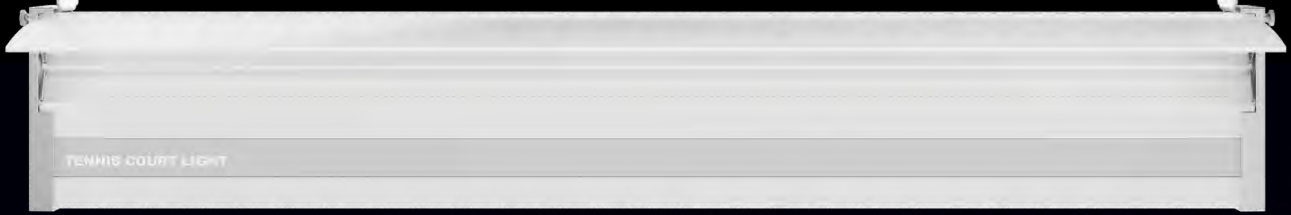


# LED Indoor Tennis Light



Low glaring light is required more and more for applications of indoor stadium where people doesn't feel comfortable with the glaring light, especially when they smash the ball up into the air . Our tennis light is the ideal solution. It not only increases the performance of players, but also the atmosphere of the match.

**Uniform light, low glaring**

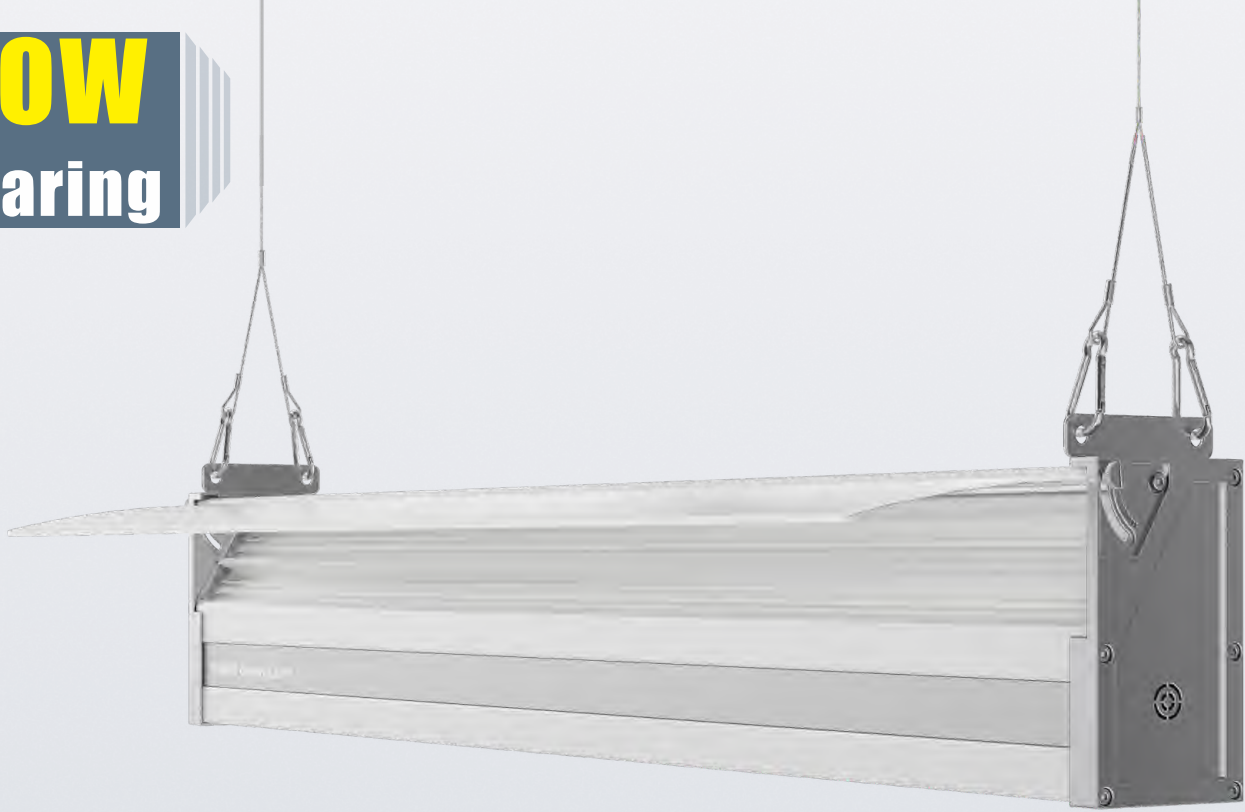


**Perfect for indoor tennis court**

*Our design team work to achieve optimum uniformity and maximum lux levels by using tailored lights, lenses and reflecting system to provide the correct distribution of light for your courts and the very gentle eye-friendly light for players. Reflector is available to be re-directed to ensure the light angles are correct and the best possible combination quality and quantity of light is achieved.*



**LOW  
Glaring**



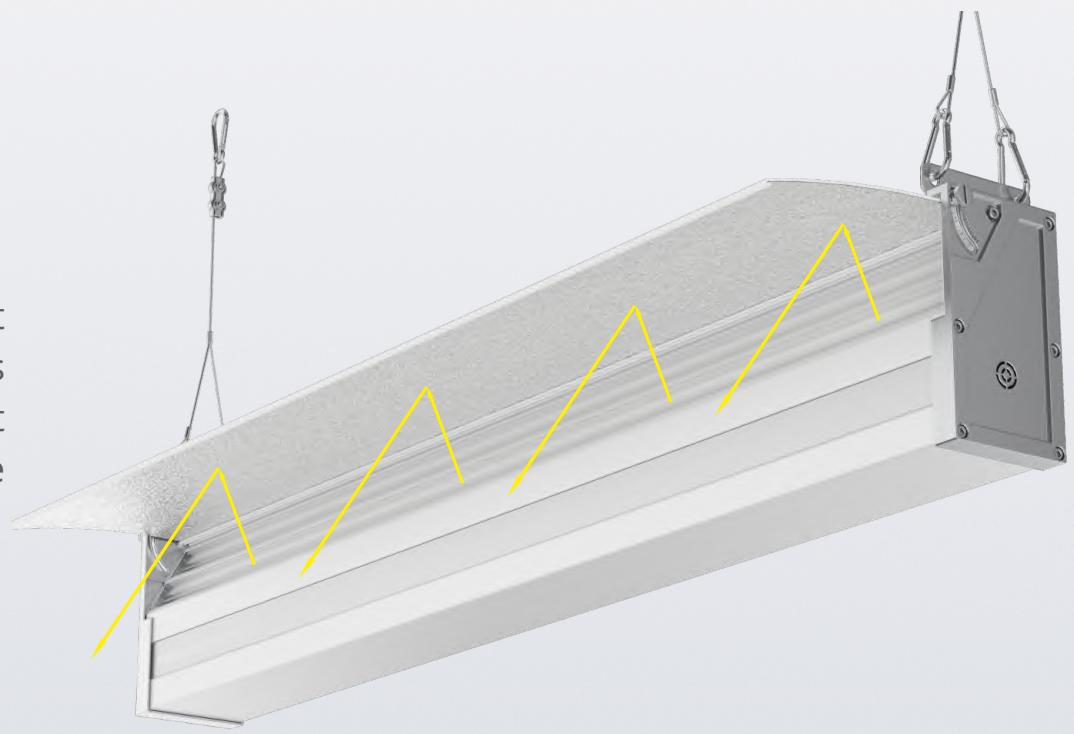
Low glaring light is required more and more for applications of indoor stadium where people doesn't feel comfortable with the glaring light, especially when they smash the ball up into the air . Our tennis light is the ideal solution. It not only increases the performance of players, but also the atmosphere of the match.



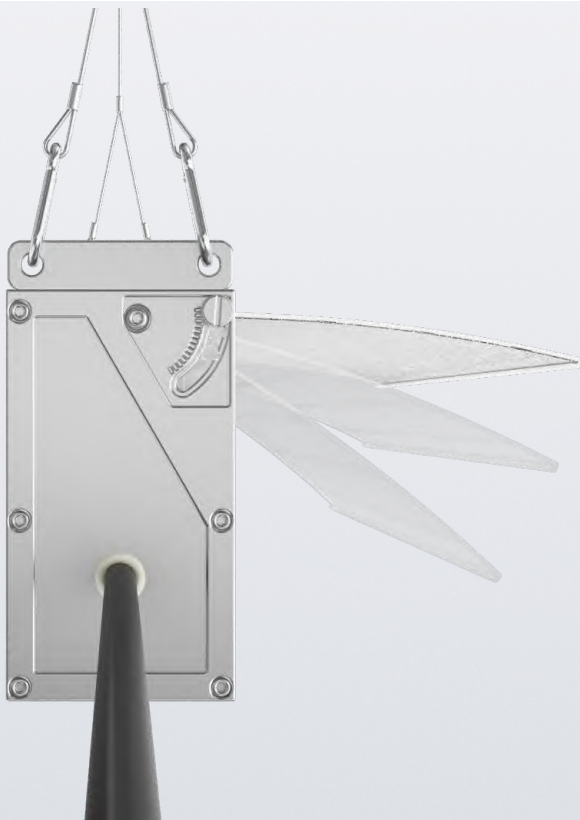
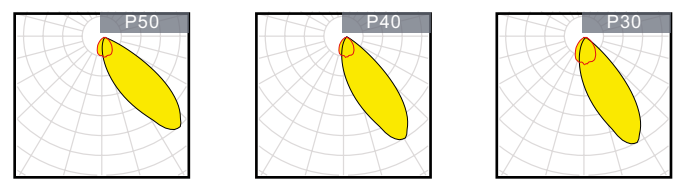
**135LM/W**

# Low Glaring

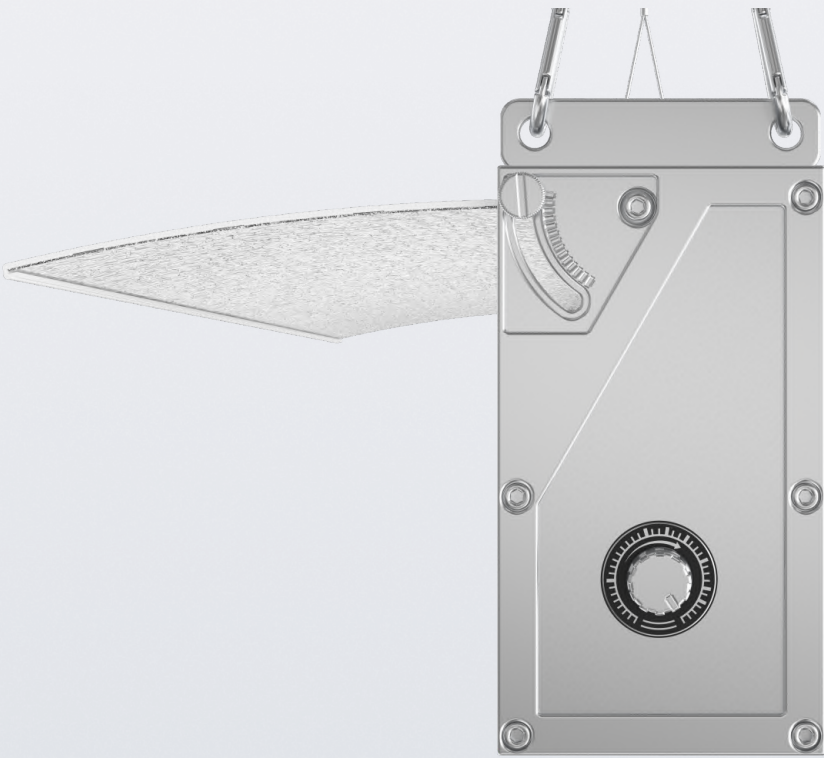
Invisible upward light source design makes player won't see direct light, so that the glare is much lower.



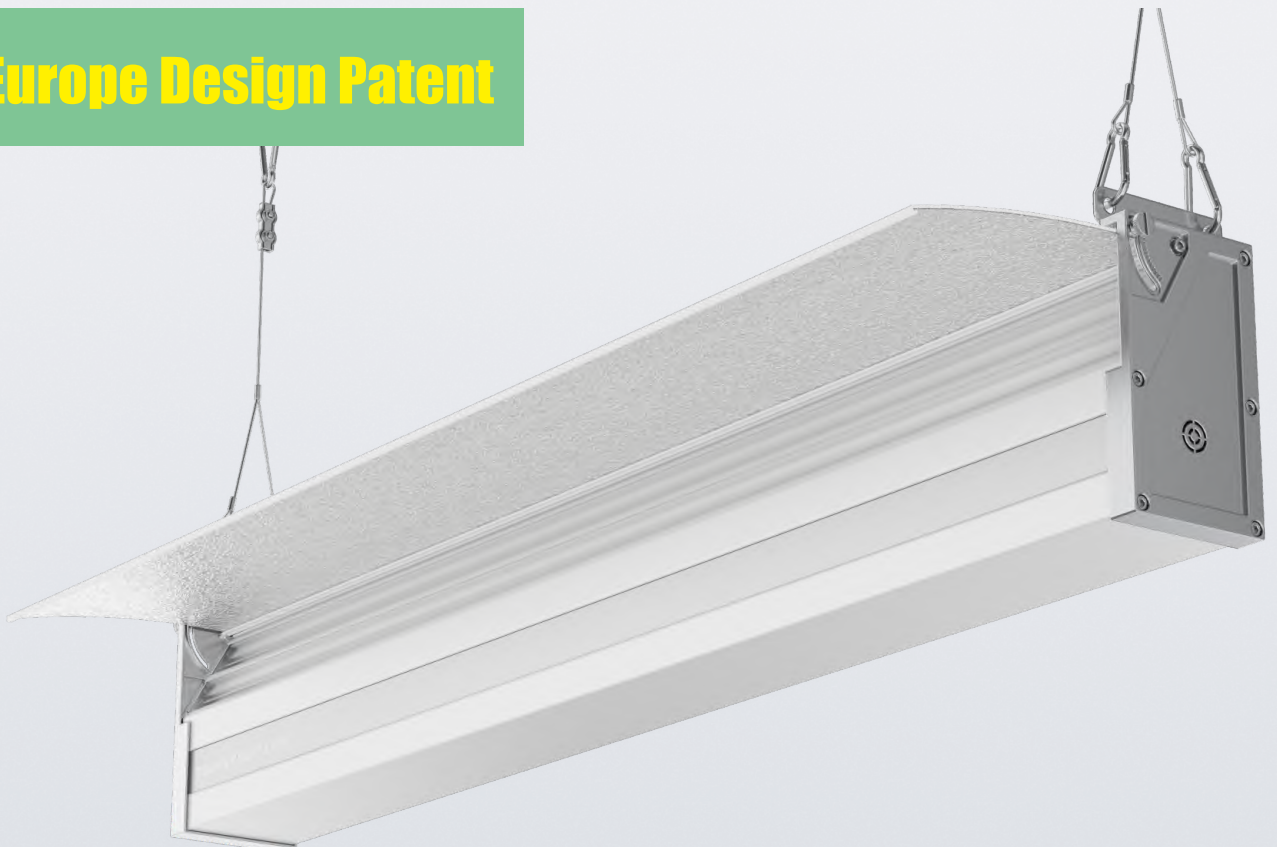
Polarized light output from reflecting structure offers best uniformity and lux.



Reflecting structure can be adjusted to suitable light curve to maximize light uniformity and performance for different installation height and play field.



Knob dimmer.  
Power adjustable

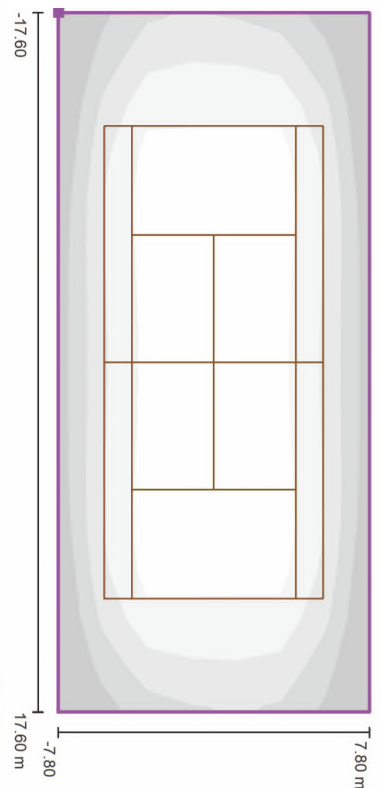
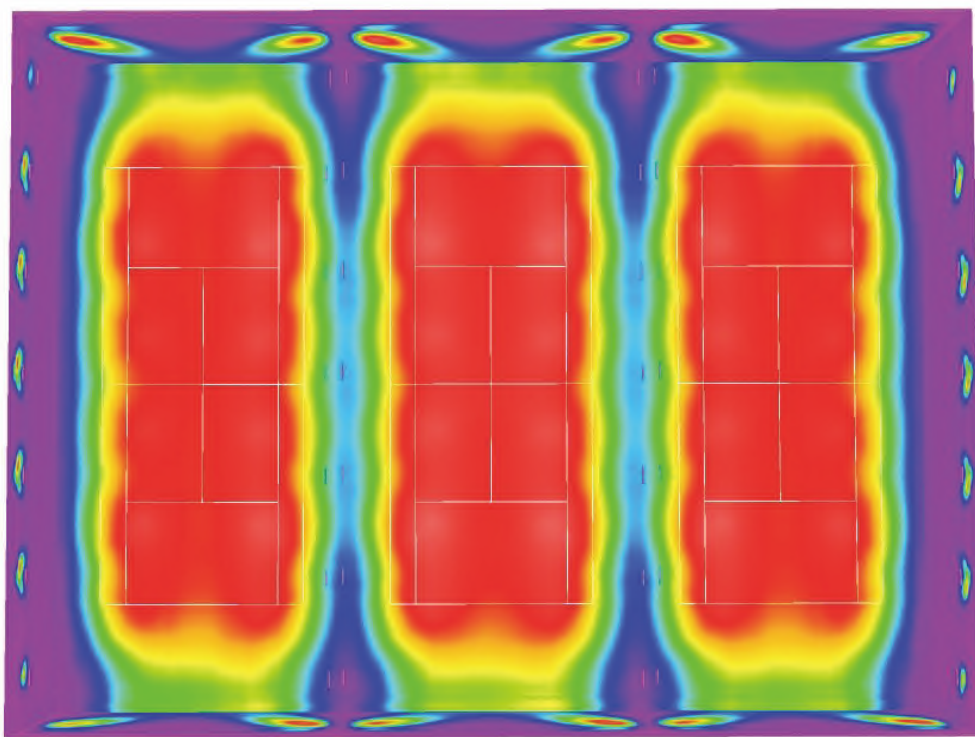




# Easy Installation



# Tennis Court Simulation



Grid: 64 x 128 Points

$E_{av}$  [lx]  
729

$E_{min}$  [lx]  
595

$E_{max}$  [lx]  
809

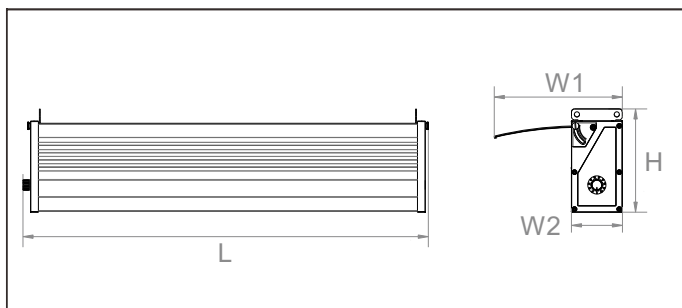
$u_0$   
0.816

$E_{min} / E_{max}$   
0.736



## Features

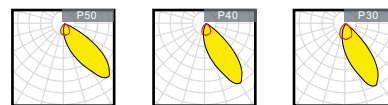
- Housing: Pure Aluminum
- Thermal Conductivity: 226 W/m·K
- Led: Philips
- CRI: Ra>80
- SDCM: <6
- Power Factor: >0.95
- THD: <15
- Driver: Inventronic
- Driver Efficiency: >93%
- Protection: OTP, OCP, OVP, SCP
- Surge Protection: 10KV
- Waterproof: IP54
- Impact Test: IK10
- Electrical: 100-277V, 50/60Hz
- Operating Temperature: -40~50°C
- TM21: L90B10>50,000H
- Lifetime: 50,000H



## Functions

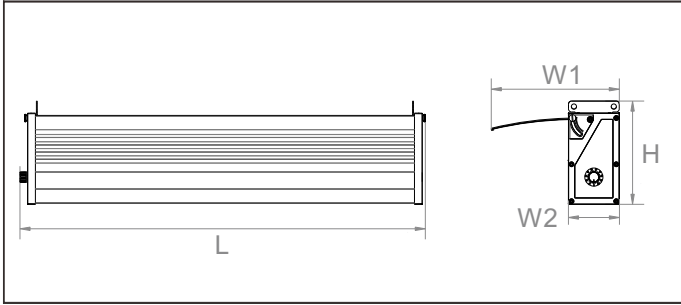
ZigBee · PWM · DALI · 0/1~10V · Micro-wave

## Optical options:



Model	Watt	Voltage	Lumen	CRI	IP	Dimension
TC150GE2F-PI	150W	100~277V	20250LM	>80	IP54	538*212/84*171
TC240GE3F-PI	240W	100~277V	32400LM	>80	IP54	838*212/84*171

# Packing



Model	L*W1/W2*H (mm)	Outer Carton(mm)			QTY / Outer CTN	NW (kg)	GW (kg)
TC150GE2F-PI	538*212/84*171	605	170	235	1	3.60	4.70
TC240GE3F-PI	838*212/84*171	905	170	235	1	5.60	7.00