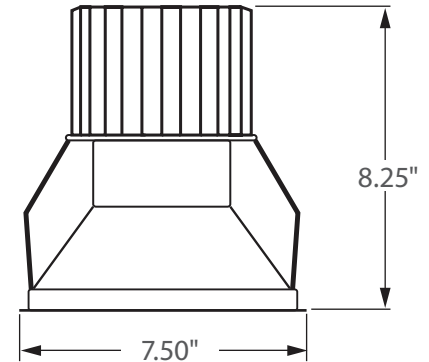




\*\* AVAILABLE \*\*

**0 - 10V**  
FULL DIMMING



Incredible **50,000 hrs**

### GENERAL DESCRIPTION

Neptun's 6" LED Commercial High-Output Downlight Retrofit kits feature rugged design and versatility to make it an excellent choice for new construction or retrofit applications. The LED-CDL6 series retrofit kit features excellent optics for increased visibility and security. 0-10V Dimming option available for increased energy savings. Offered in a variety of color temperatures, it can replace existing HID & HPS systems up to 175 Watts.

### APPLICATION

- Atrium & Lobby Lighting
- Mall Lighting
- Showroom Lighting
- Canopy Lighting
- Soffit Lighting

### STRUCTURE, MATERIALS, & FEATURES

- Heavy-gauge anodized aluminum reflector.
- Cold-forging pure aluminum heat sink for excellent thermal management.
- Offered in various color temperatures. (3000°K, 4100°K, 5000°K)
- Instant-On flicker-free Cold Start and Hot Re-Start.
- High power factor, low THD driver.
- High Output COB LED's.
- Up to 15 year maintenance free operation.
- 5 Year Warranty.

### ORDERING INFORMATION

Sample Number: LED-CDL6-060-UNV-0-10VDIM-850  
Custom options and accessories available. Please consult factory

Series	Wattage	Voltage	Options	Color Temp
LED-CDL6 = 6" Commercial Downlight	060 = 60 W	UNV = 120-277 VAC 347V = 347 VAC 480V = 480 VAC	0-10VDIM = 0-10V Dimming	830 = 3000°K 841 = 4100°K 850 = 5000°K



### PRODUCT INFORMATION

Model No.	Rated Watts	Input Watts	Initial Lumens	Universal Line Voltage (VAC)	Max Line Current (Amp) @ 120 - 277	THD	Power Factor	Beam Angle	Weight
LED-CDL6-060-UNV	60	61	5,600	120-277	0.52 - 0.22	<20%	>0.90	60°	4 lbs

### SPECIFICATIONS

- LED Driver ..... Constant Current
- Power Supply ..... 350mA
- Driver UL Rating ..... Class 1
- Start Method ..... InstantON
- Hot Re-start ..... InstantON
- Input Line Voltage ..... 120-277 VAC
- Input Line Frequency ..... 50/60 Hz
- Ballast Off-State Draw ..... 0 Watts
- Sound Rating ..... Class A
- LED / Driver System Life ..... 50,000 Hrs.
- Color Temperature ..... 3,000°K, 4,100°K, 5,000°K
- Color Rendering Index (CRI) ..... > 90
- Minimum Starting Temperature ..... -20°C
- Maximum Starting Temperature ..... +50°C
- Lumens per Watt ..... > 90
- Shock / Vibration Resistant ..... Yes
- Power Factor ..... > 0.90
- Total Harmonic Distortion ..... < 20%
- Inrush Current Peak ..... < 10 Amp
- IP Rating ..... IP54
- FCC Compliance ..... Part 15, Subp. C
- Warranty ..... 5 Year

### MOUNTING (See Complete Installation Instructions)

### APPLICATIONS

**UP TO 75%  
ENERGY SAVINGS**

### REPLACEMENT INFORMATION

Existing Light Source	Existing Wattage	LED Replacement Wattage
H.I.D.	175w	60w

