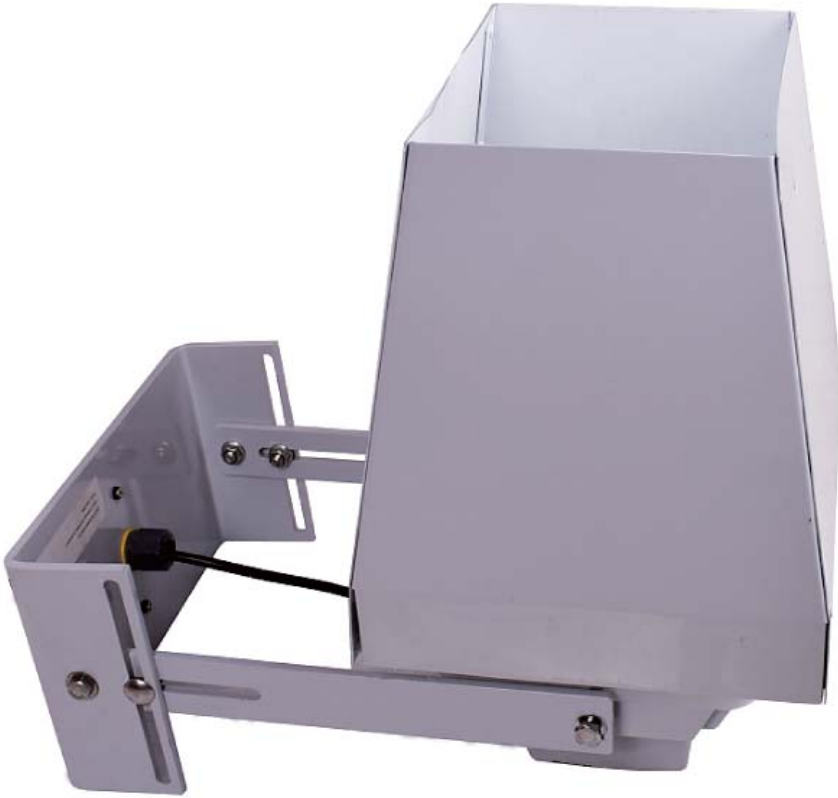
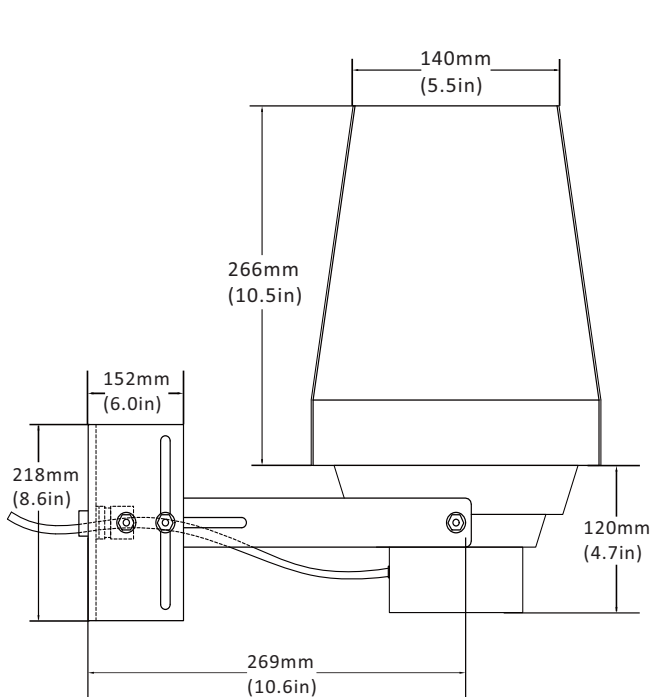


LED Facade Flood light

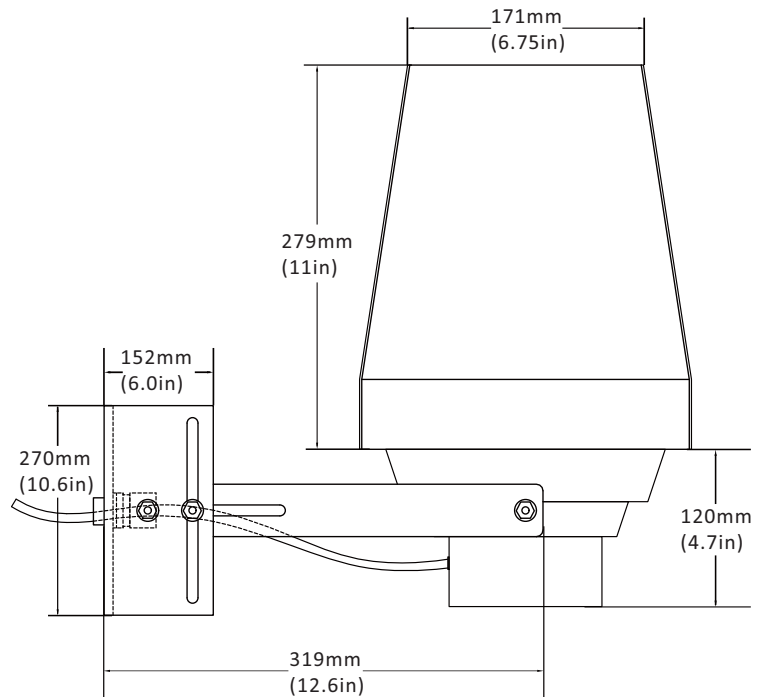
TFL-



Dimension



15W-30W



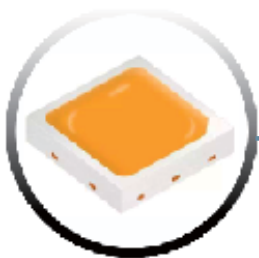
60W

Why us?

Would you like to save more money

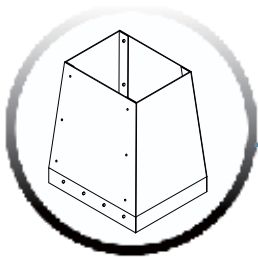


From our 10 years experience, many clients has problem with building lighting in the current market, most of them have issue for output beam angle or products quality However, we are making the change to improve. It's credit!



3030 SMD Tech

Green,Blue,Red,White color



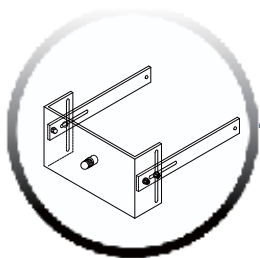
Special Light Funnel

Shorten beam angle



UL driver + Surge protector

100-305Vac, 10KA



Special Bracket

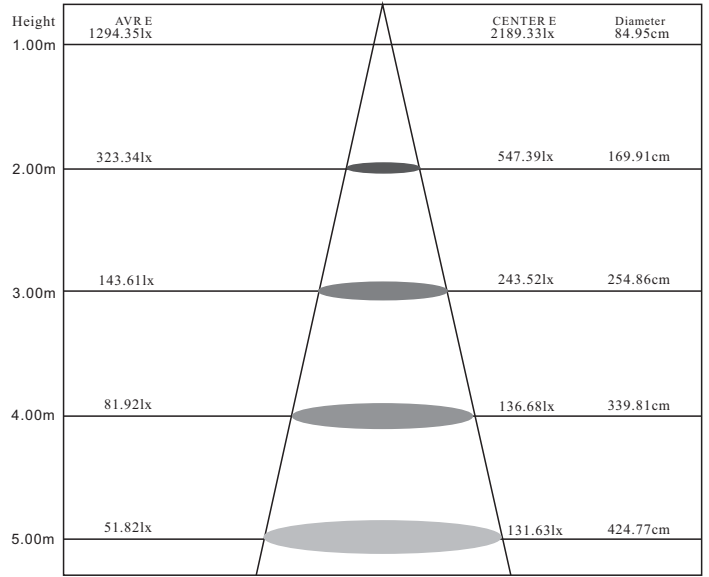
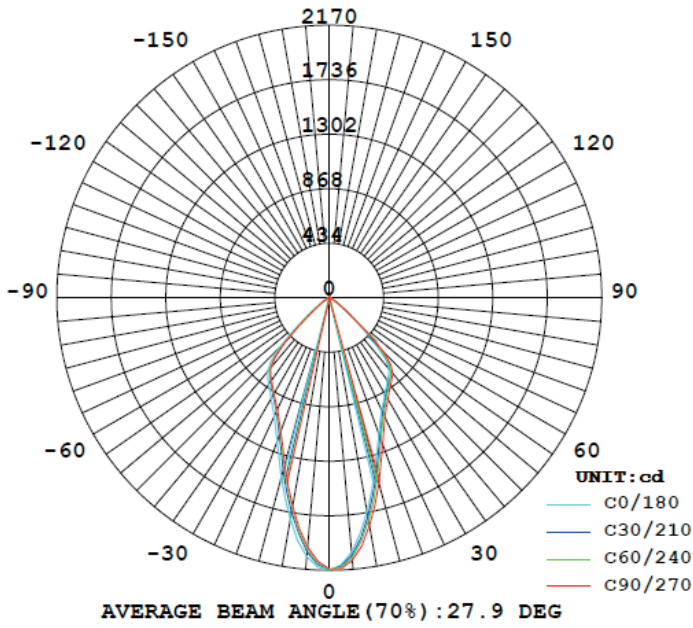
Easy to install and adjustable angel



Photometry

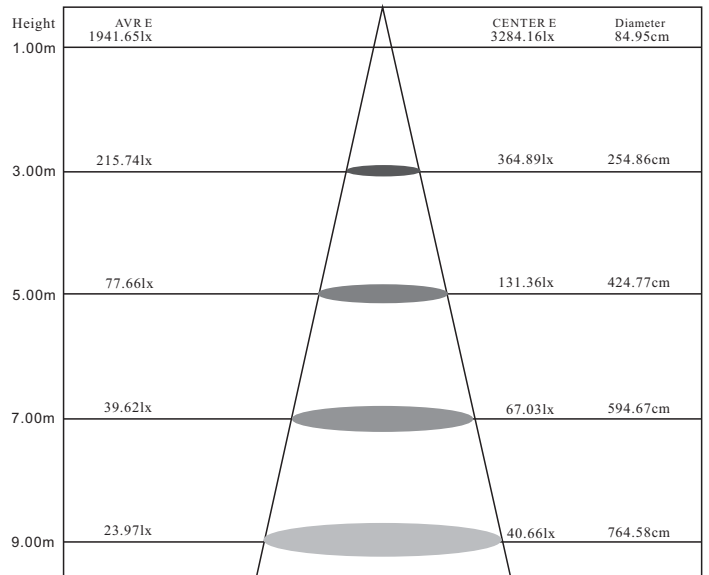
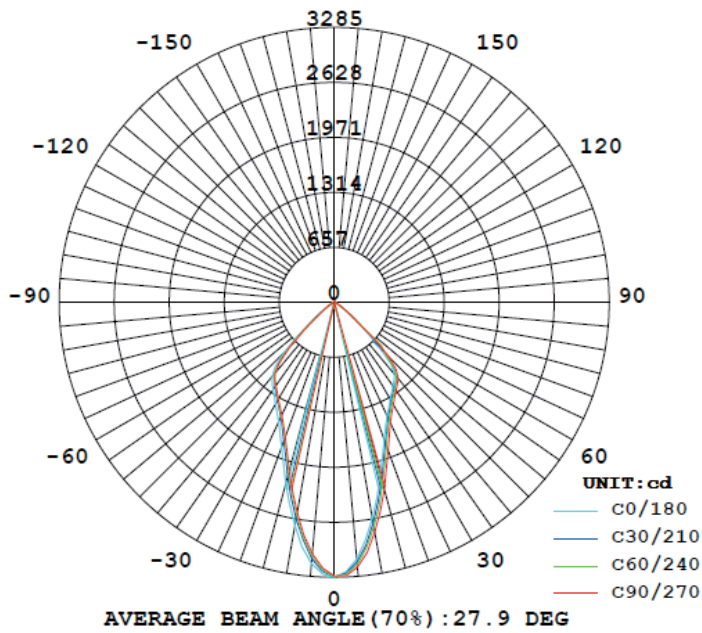
TFL-15w-25degree

| Total Flux Output: 1950 lumens; 15.0Watts | Efficacy: 130.0 lm/W | 83 CRI;



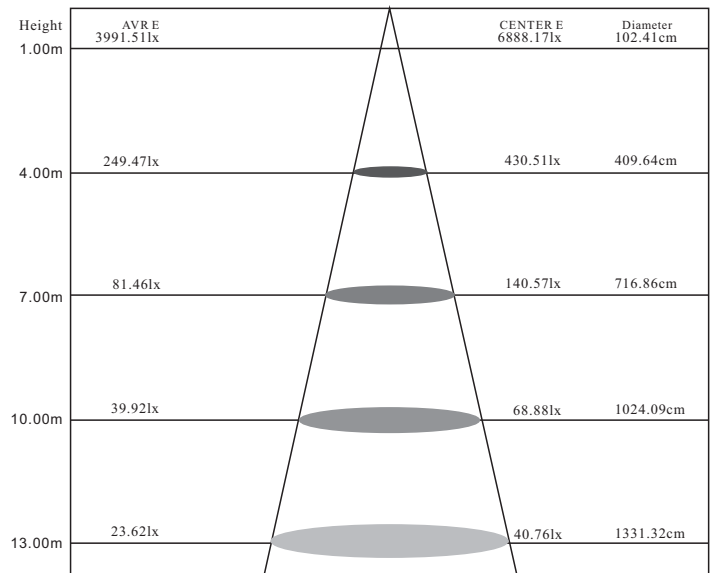
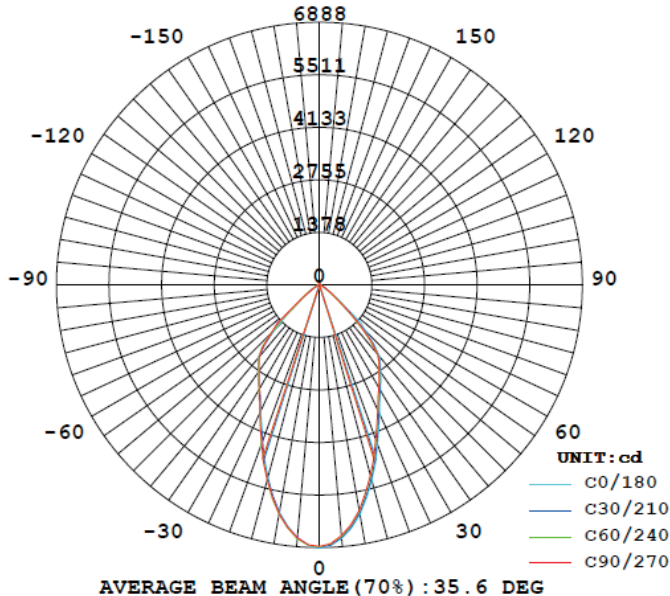
TFL-30w-25degree

| Total Flux Output: 3939 lumens; 30.2Watts | Efficacy: 130.4 lm/W | 83 CRI;



TFL-60w-25degree

| Total Flux Output: 7560 lumens; 59.3Watts | Efficacy: 127.5 lm/W | 83 CRI;



Specification data

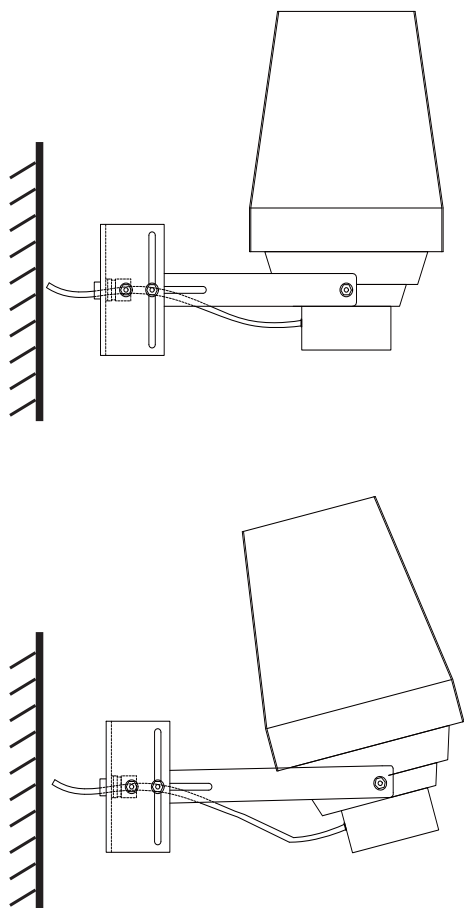
Item No.	Watts	Beam angle	Color temperature	Replacement	CRI
TFL-8W	8W	15	Green, Blue, Red, Amber , White color (2700K - 6500K)	15-25W HID, CFL	Ra>83
TFL-15W	15W			30-60w HID, CFL	Ra>83
TFL-30W	30W			75-105w MH, HPS	Ra>83
TFL-60W	60W			175-250w MH, HPS	Ra>83

- Universal AC input 100-277V_{ac} or 200-480V_{ac}, 50/60Hz, PF>0.95.
- Built in surge protector, 320V_{ac}, 10KA.
- IP65 for outdoor application.
- Life time: >50,000 hours

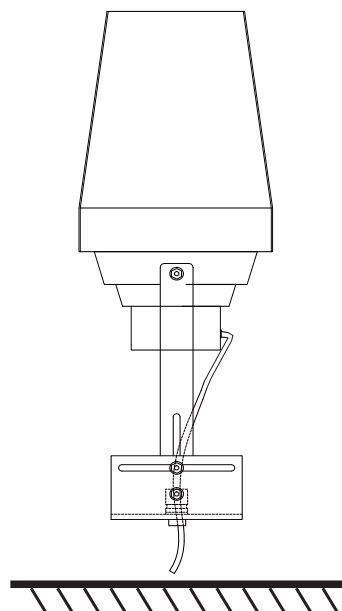
Applications

LED Facade Flood light is mainly for outdoor building lighting, Especially for Holiday Inn, to replace the MH / HPS / HID lamp.

Surface Wall Mount



Surface Ground Mount



Projects

