

Explosion Proof CPA Series

Oil Station Light



Explosion Protection

Marking Atex	II2 G Ex eb op is IIC T5/T6 GC II2 D Ex op is tb IIIC T80° C Db
Marking IECEx	Ex eb op is IIC T5/T6 GC Ex op is tb IIIC T80° C Db
UL Marking <small>(North American)</small>	UL1598, UL8750
Other Rating	IP 66

Applications

Oil and Gas industry

- ★ All petroleum production and refining
- ★ Petroleum loading and transportation
- ★ Petroleum storage and retail
- ★ LNG industry
- ★ All mining operations and service

Chemical industry

- ★ All types of paint facilities
- ★ Chemical production and storage

Ocean, marine and aerospace field

- ★ Ocean platform operation facilities and structure
- ★ Aerospace clean room and production
- ★ Ocean vessel operations

Metal treatment

- ★ Steel and aluminum factories
- ★ Pumping stations in any environment
- ★ Metal smelting, foundry and fabrication

Food and alcohol industry

- ★ Flour and fine particle production and storage
- ★ Food and distilling production
- ★ alcohol industry

Other high humidity, high dust, high temperature, vapor locations

Materials

- ★ Housing: copper free aluminum
- ★ Lens: glass

Basic Data

Product Number	Wattage	Color Temperature	Voltage	Lumens	Warranty	CRI
EX-40W CPAYZ	40	2200-7000K	AC100-277/DC 36V	5600	5 years	80
EX-60W CPAYZ	60			8400		
EX-80W CPAYZ	80			11200		
EX-150W CPAYZ	150			21000		

“CPA”=Product code, “Y”=D or N:Dimmable or non-dimmable “Z”=CCT, from 2200-7000K

Packing Information

Model	Quantity/Carton	Packing Size(mm)	N.W(KG)	G.W(KG)
CPA	2	460*470*310	8.23	9

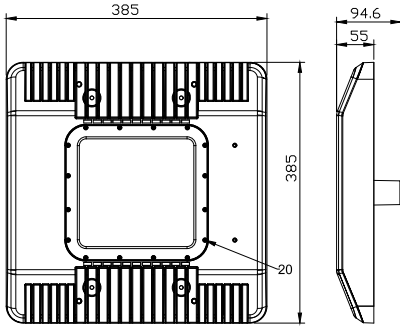
Working Temperature: -40℃ ~ +60℃

Key Features

- High performance, most cost-effective LED canopy fixture in the market.
- High Lumen per watt, tremendous flexibility in how you light your site.
- Lumens availability can be up to 23,000 lumens.
- Better and reasonable light distribution, more illumination on your dispensers.

Mechanical Structure

Unit: mm or inch



Installation Manual

WARNING

READ THIS INSTRUCTION CAREFULLY BEFORE INSTALLING. KEEP THIS INSTRUCTION FOR FUTURE REFERENCE.

Fixtures must be wired in accordance with the National electrical code and all applicable local codes. Proper grounding is required for safety.

THIS PRODUCT MUST BE INSTALLED IN ACCORDANCE WITH THE APPLICABLE INSTALLATION CODE BY A QUALIFIED ELECTRICIAN WHO IS FAMILIAR WITH THE CONSTRUCTION AND OPERATION OF THE PRODUCT AND THE HAZARDS INVOLVED.

Warning: Risk of fire or electric shock. High bay Light installation requires knowledge of luminaires and electrical systems. If not qualified, DO NOT try to install. Please contact an electrician.

Warning: Risk of fire or electric shock. Suitable for wet locations. Make sure the power is off prior to install.

Warning: Risk of fire or electric shock. Suitable for non-insulated surface and frame. DO NOT cover fixture with insulation liner or similar material.

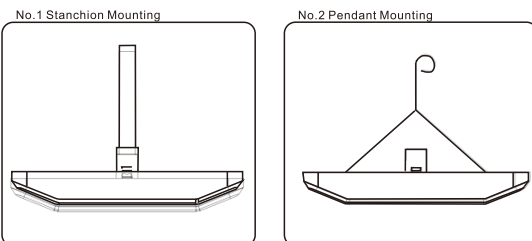
Warning: DO NOT install in unstable, loose or breakable surfaces.

Warning: DO NOT let objects impact or exert force on the surface of the fixture.



WARNING
Risk of fire, Electric shock or personal injury
Before installation, turn off power!

Mounting Methods



Accessories And Spare Parts

No	Parts	Parts Photo	Mounting Type	Qty
1	Stanchion Pole		01	1
2	Steel Sling		02	1