

LED Corn Bulb

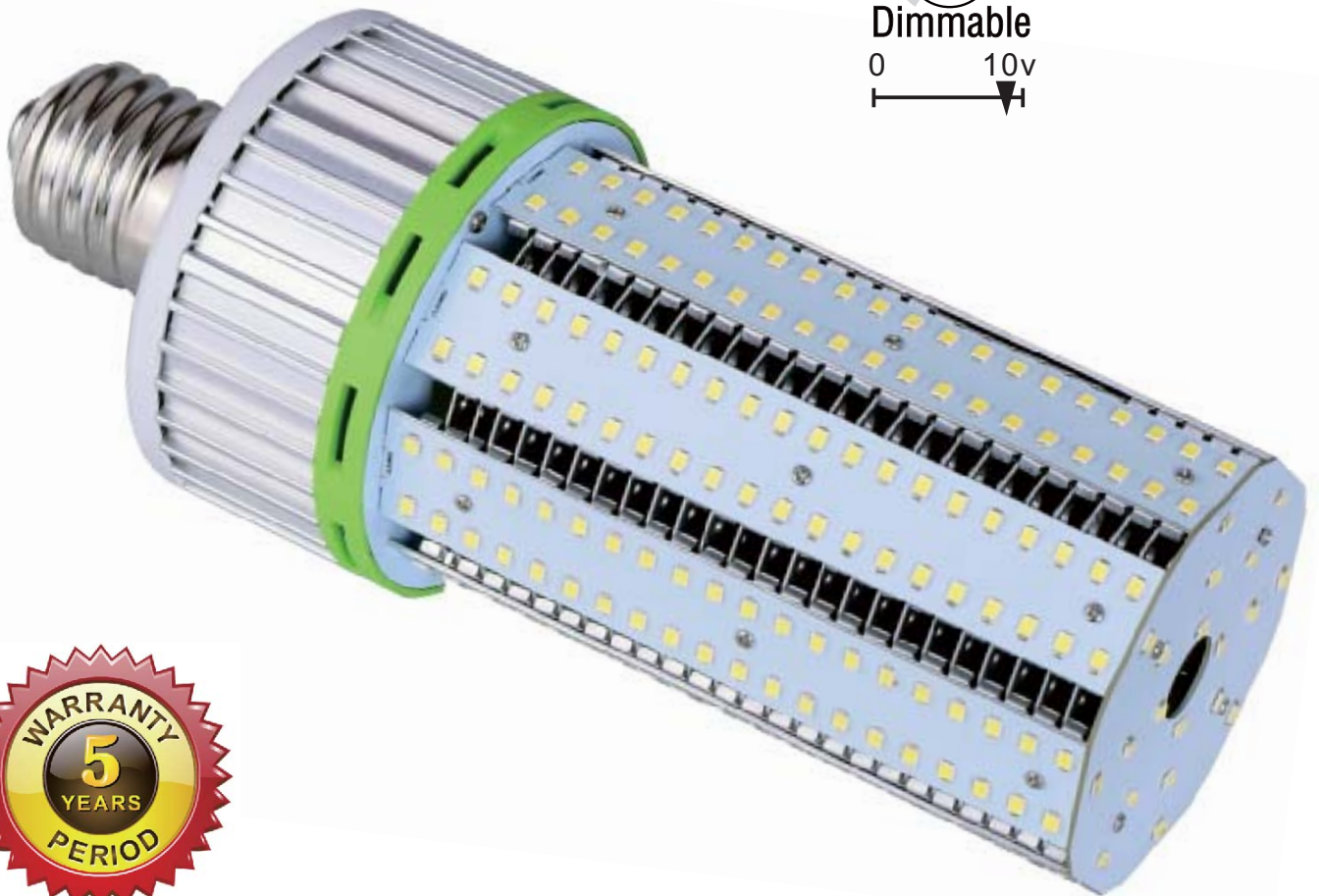
CB-

LED corn bulb is designed to meet the needs for indoor and outdoor lighting fixtures retrofit, to just replace the inside MH / HPS / HID lamp, while keep the fixture remain.



Dimmable

0 10v



Applications



High bay



Low bay



security fixture



Flood fixture



Shoobox fixture



wall pack



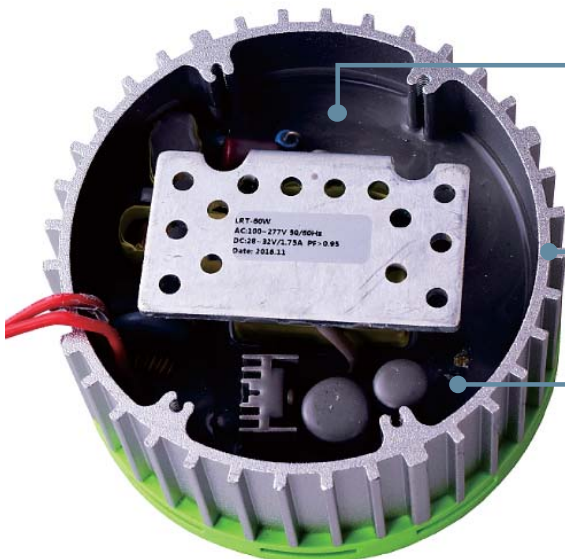
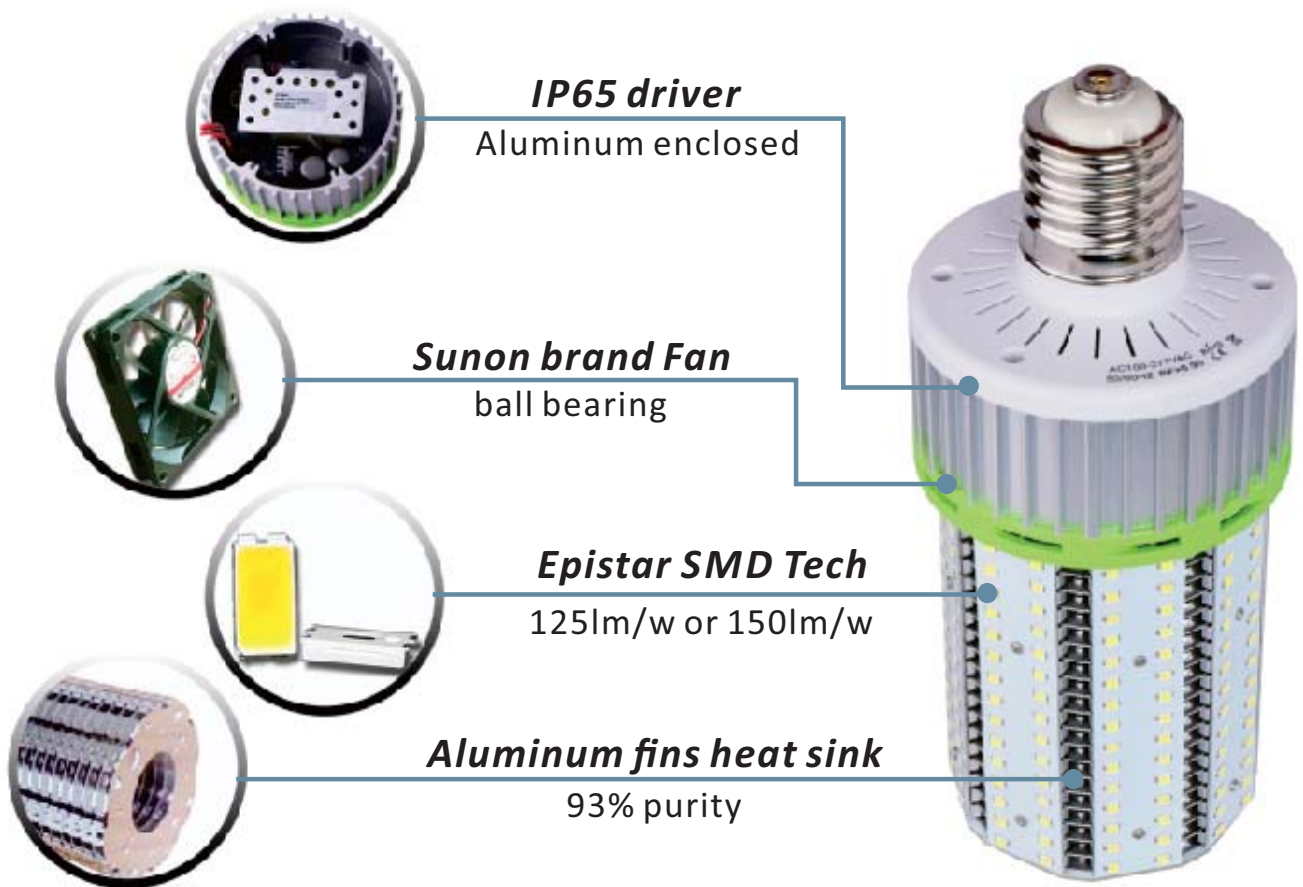
Post top

Why us?

Would you like to save more money?



From our 10 years experience, many clients has problem with these corn lights in the current market, most failures can be bolt down to heat problem or driver problem. However, we are making the change to improve. It's credit!



Potting of Smidakh
Better for heat dissipation
mothproof,moisture proof

Aluminum shell
Better for heat dissipation

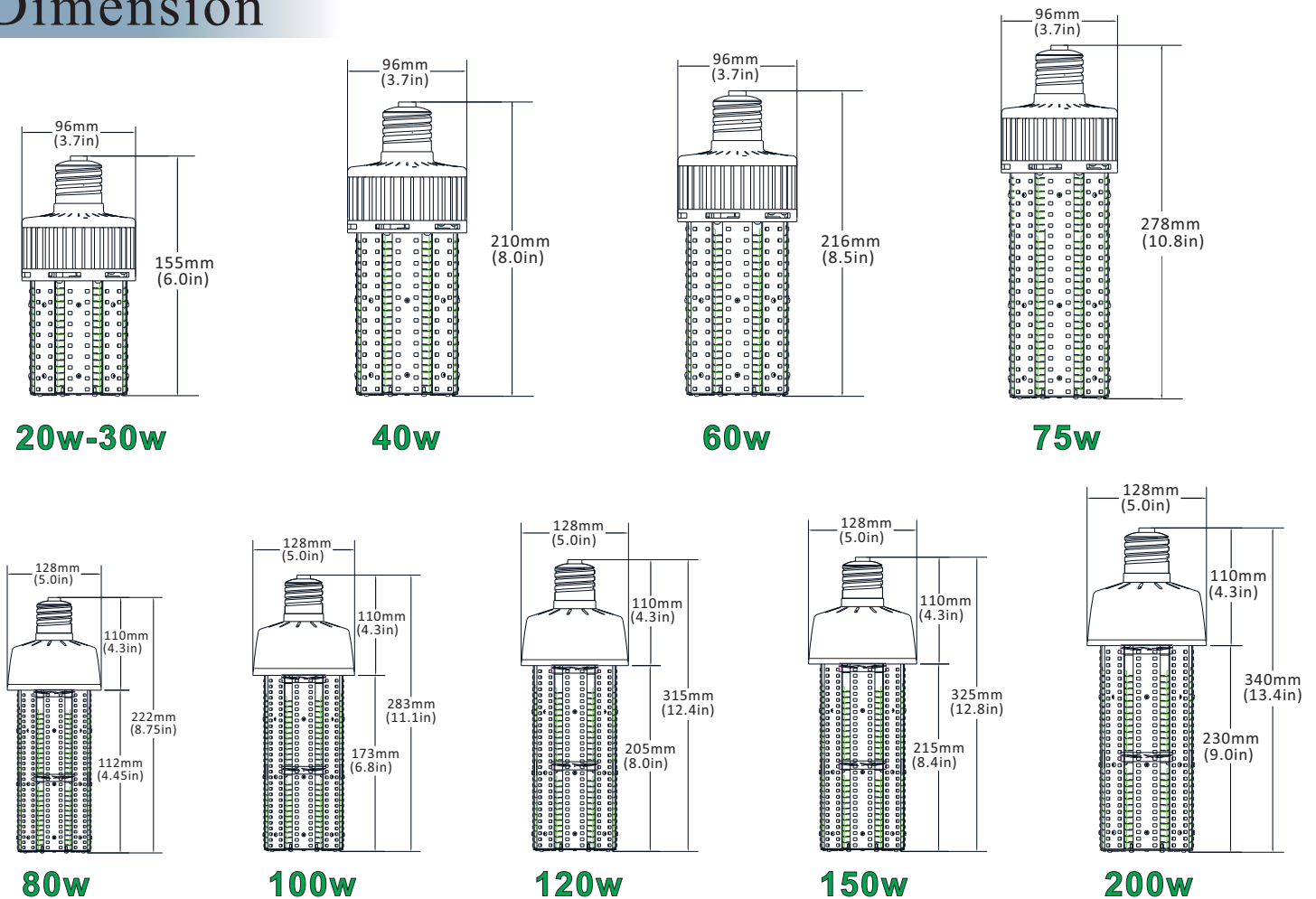
Thermal Dimming
When the temperature reaches 90°C,
lamp power is reduced ,to ensure key
components including the LEDs are
not overheated.

Specification data

Item No.	Watts	Dimension	Luminous Flux (125lm/w)	Luminous Flux (150lm/w)	Replacement	CRI
CB-20W	20W	Φ 96*155mm	26,00lm	3,000lm	40-75w CFL, HID	Ra>83
CB-30W	30W		38,00lm	4,500lm	75-105w MH, HPS	Ra>83
CB-40W	40W	Φ 96*210mm	5,100lm	6,000lm	125-150w MH, HPS	Ra>83
CB-60W	60W	Φ 96*216mm	75,00lm	9,000lm	175-250w MH, HPS	Ra>83
CB-75W	75W	Φ 96*278mm	9,380lm	11,250lm	225-250w MH, HPS	Ra>83
CB-80W	80W	Φ 128*222mm	10,400lm	12,000lm	225-275w MH, HPS	Ra>83
CB-100W	100W	Φ 128*283mm	13,000lm	15,000lm	275-350w MH, HPS	Ra>83
CB-120W	120W	Φ 128*315mm	15,600lm	18,000lm	300-400w MH, HPS	Ra>83
CB-150W	150W	Φ 128*325mm	19,000lm	22,500lm	350-400w MH, HPS	Ra>83
CB-200W	200W	Φ 128*340mm	23,000lm	30,000lm	500-750w MH, HPS	Ra>83

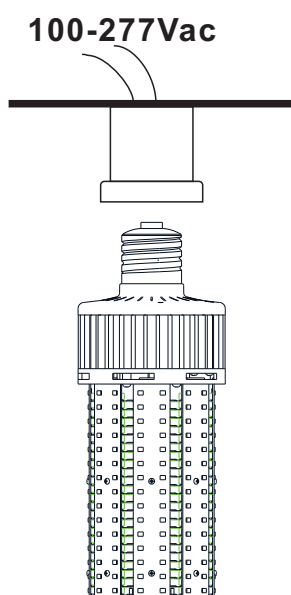
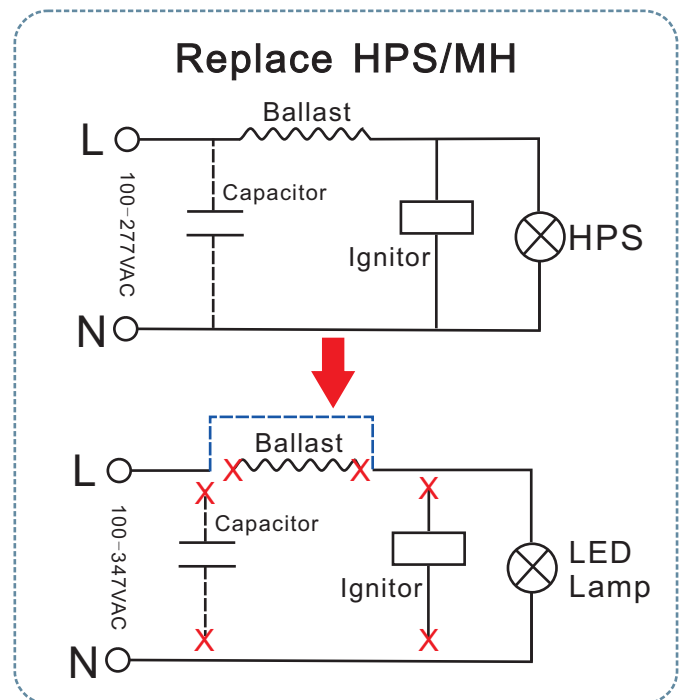
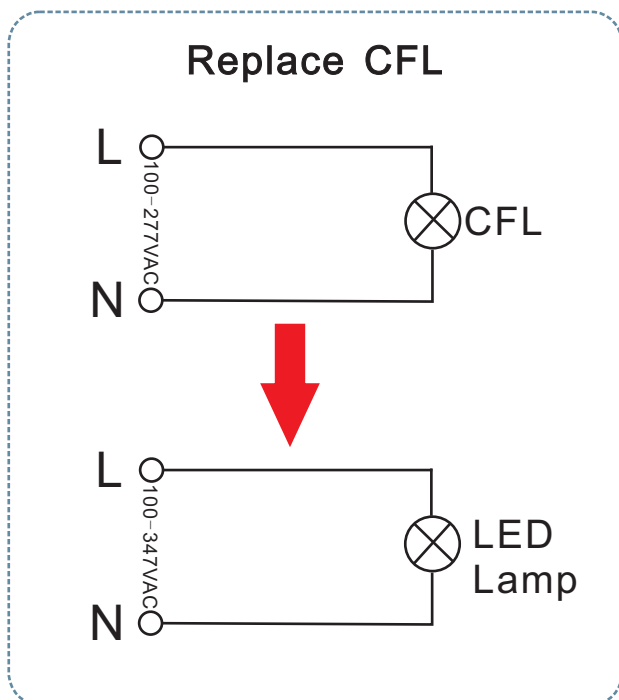
- 125lm/w or 150lm/w
- Universal AC input 100-277V_{ac} or 100-347V_{ac} or 200-480V_{ac}. PF>0.95.
- Dimmable(Optional): 0-10V
- Color temperature: 2200K, 2700K, 3000k, 4000k, 4500k, 5000k, 5700k, 6500k
Amber, Red, Green, Blue.

Dimension



Installation

1. Turn off the Power.
2. Carefully remove the existing Lamp bulb.
3. Disconnecting the input and output leads of the Ballast, and remove the ballast. Please refer to below the schematic diagram.
4. Inset the LED bulb to the E39/E26 base, Adjust the LED module angle and position so that it provides the best lighting.
5. Connecting the input leads of socket to the supply wires carefully.
6. Double check the Input wires of socket, and make sure all connections are correct.
7. Turn on the Power.



Please remove any ballast or capacitor parts before doing the retrofit.