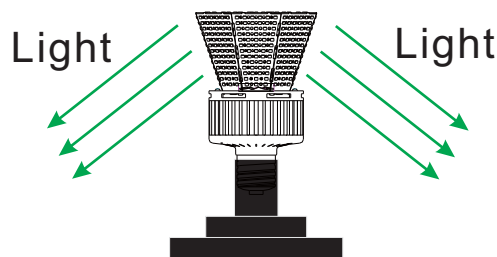


LED Post Top Corn bulb

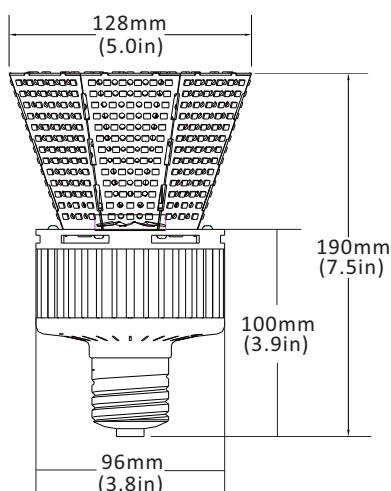
YL-

LED Post top corn bulb is designed to meet the needs for indoor and outdoor lighting fixtures retrofit (**Base up**), to just replace the inside MH/HPS / HID lamp, while keep the fixture remain.

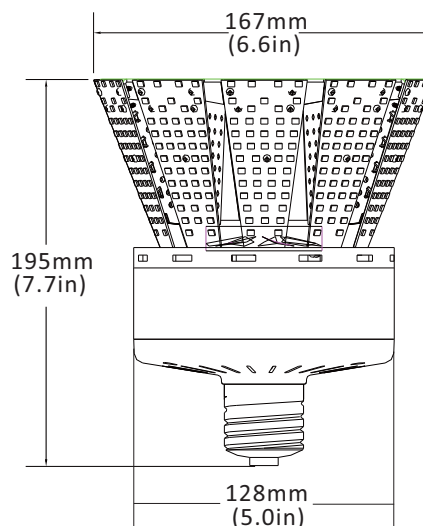


Dimmable
0 10v

Dimension



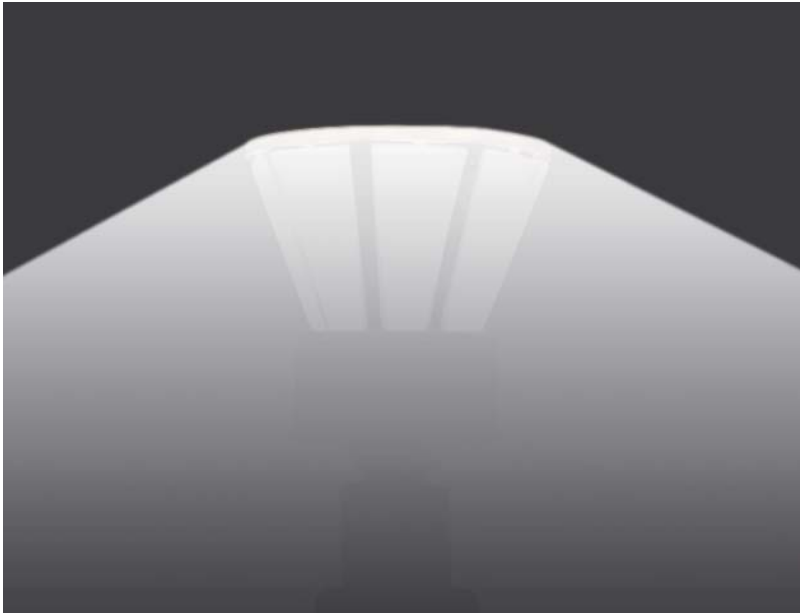
30W-60W



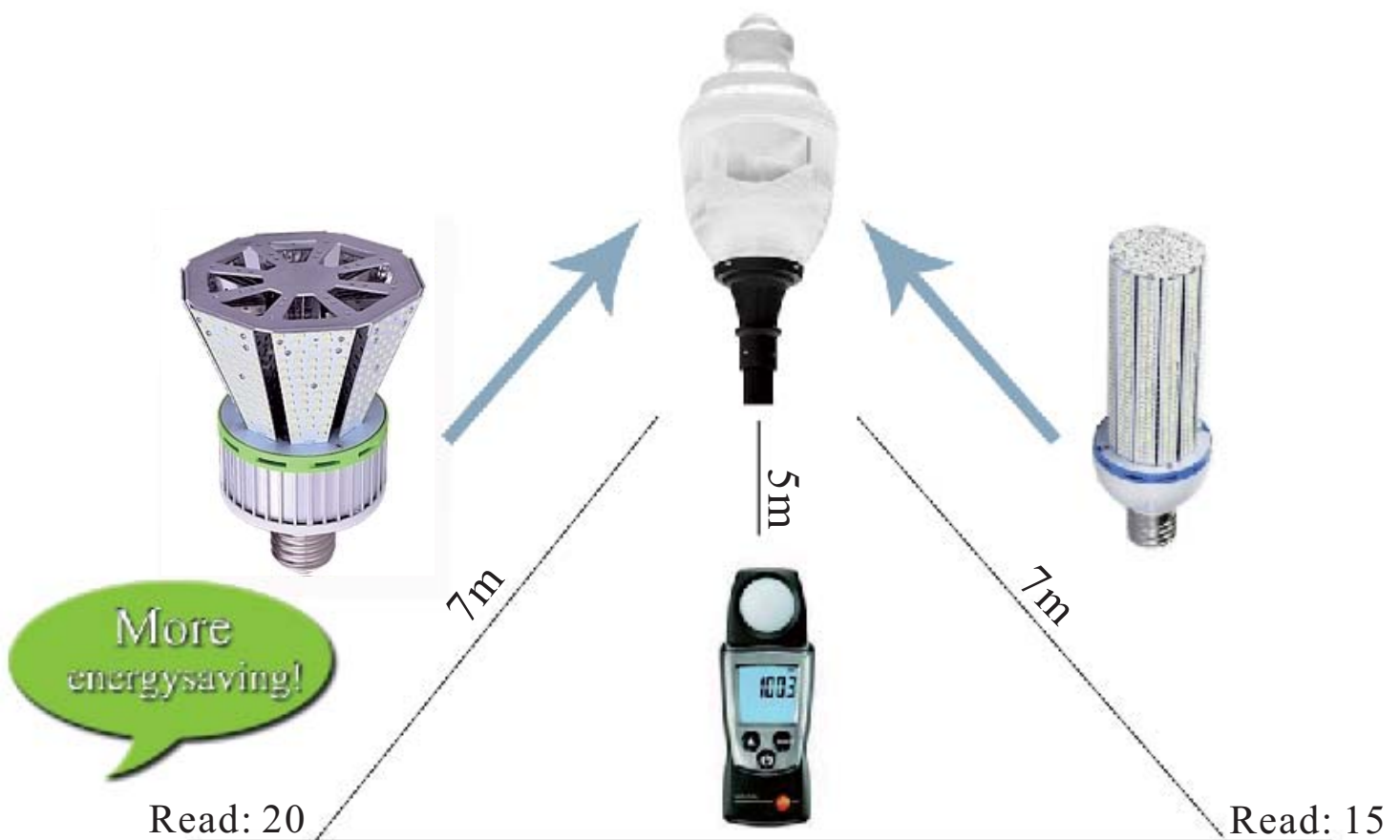
80W

Lighting Efficiency

The conical surface LEDs layout design direct all light down to the ground, no light to be wasted in the sky, greatly improved the lighting efficiency and lighting effect.



Comparison



Our bulb kit is more efficient than normal corn bulb, 50w our bulb kit can be equal to 60w or 70w normal corn bulb.

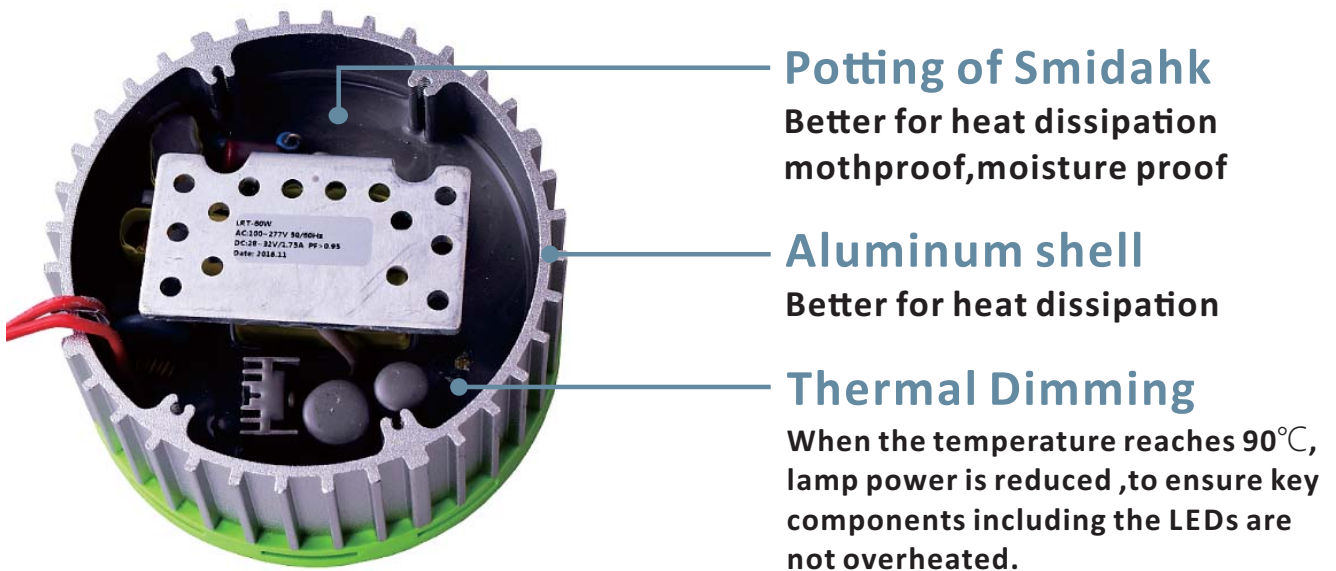
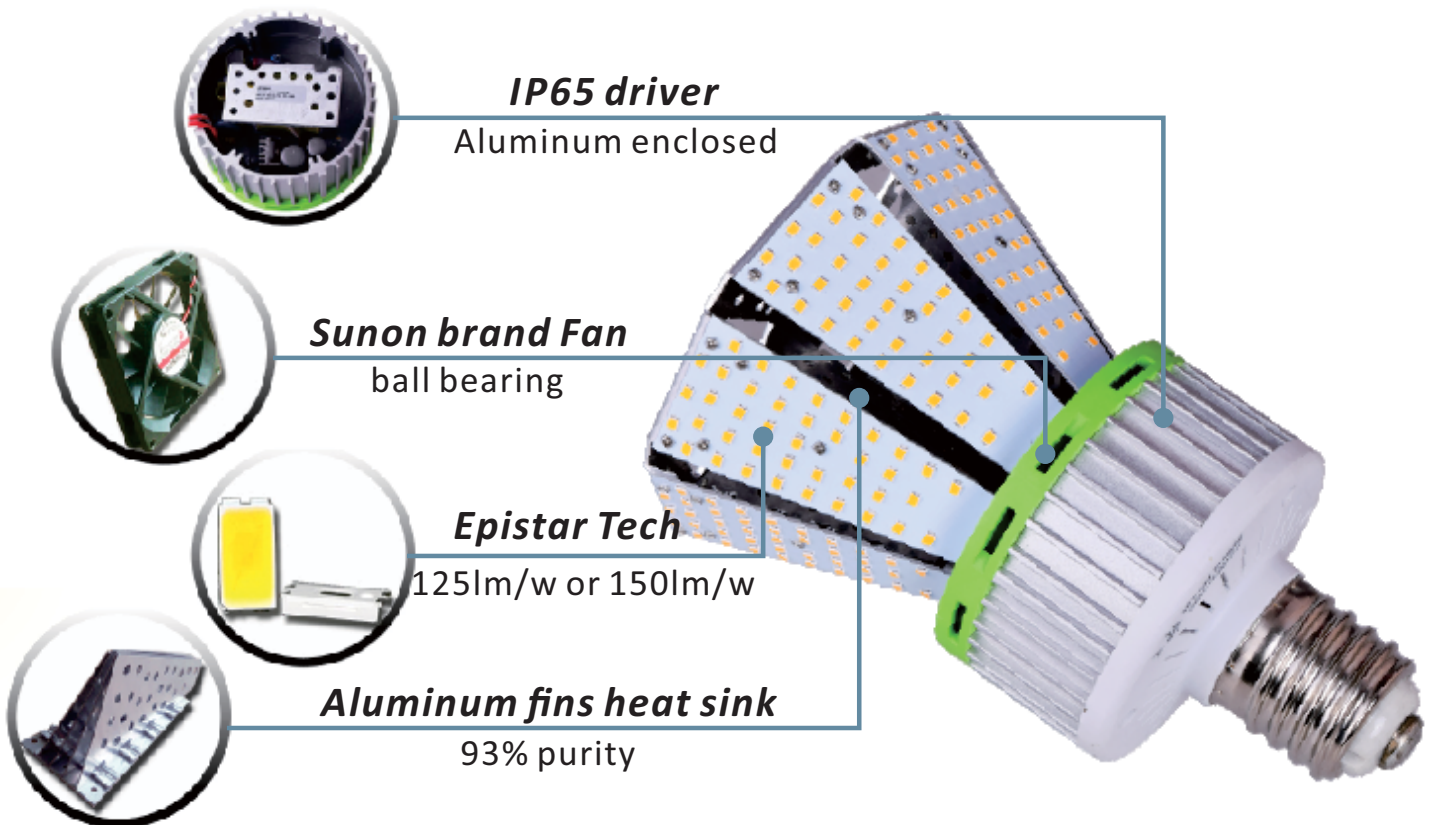


Why us?

Would you like to save more money?



From our 10 years experience, many clients has problem with these corn lights in the current market, most failures can be bolt down to heat problem or driver problem. However, we are making the change to improve. It's credit!



Specification data

Item No.	Watts	Power Factor	Luminous Flux (135lm/w)	Luminous Flux (170lm/w)	Replacement	CRI
YL-15W8S	15W	∅ 90*136mm	1,900lm	2,250lm	30-50W HID, CFL	Ra>83
YL-30W8S	30W	∅ 128*190mm	3,900lm	4,500lm	75-105w MH, HPS	Ra>83
YL-40W8S	40W		5,200lm	6,000lm	125-150w MH, HPS	Ra>83
YL-50W8S	50W		6,500lm	7,500lm	175-225w MH, HPS	Ra>83
YL-60W8S	60W		7,500lm	9,000lm	225-250w MH, HPS	Ra>83
YL-80W10S	80W	∅ 167*195mm	10,000lm	12,000lm	250-300w MH, HPS	Ra>83

- 125lm/w or 150lm/w
- Universal AC input 100-277Vvac or 100-347Vvac or 200-480Vvac. PF>0.95.
- Dimmable(Optional): 0-10V
- Color temperature: 2200K, 2700K, 3000k, 4000k, 4500k, 5000k, 5700k, 6500k
Amber, Red, Green, Blue.
- Life time: >50,000 hours

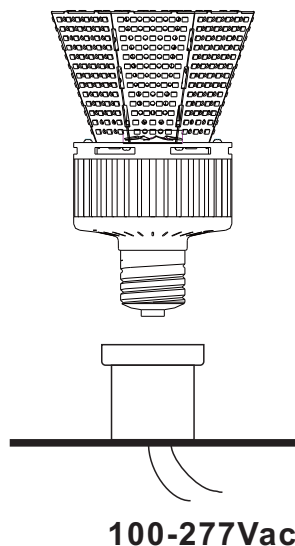
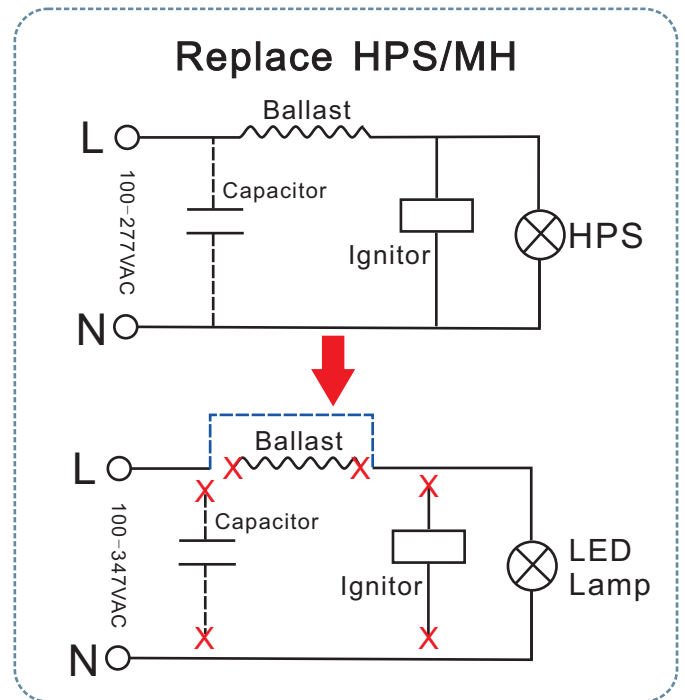
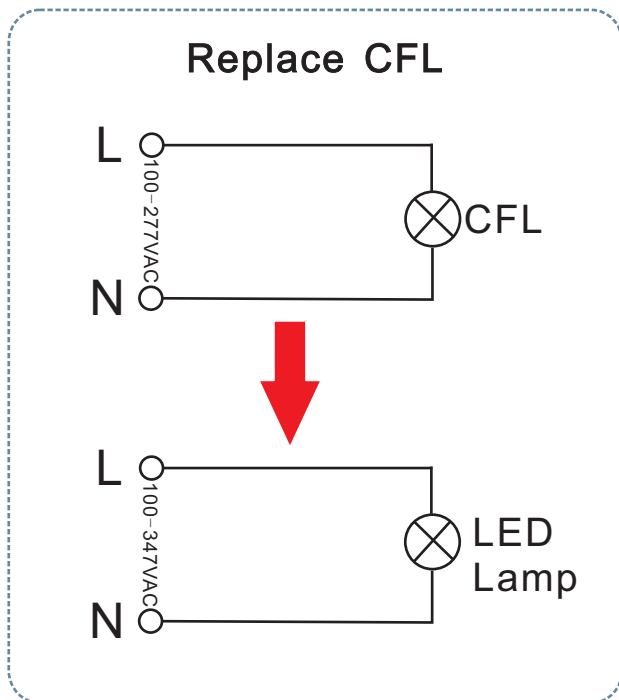
Applications

LED Post top corn bulb is mainly for outdoor post top lighting fixtures, acorn lighting fixtures and lantern lighting fixtures (Base down) to replace the MH / HPS / HID lamp.



Installation

1. Turn off the Power.
2. Carefully remove the existing Lamp bulb.
3. Disconnecting the input and output leads of the Ballast, and remove the ballast. Please refer to below the schematic diagram.
4. Inset the LED bulb to the E39/E26 base, Adjust the LED module angle and position so that it provides the best lighting.
5. Connecting the input leads of socket to the supply wires carefully.
6. Double check the Input wires of socket, and make sure all connections are correct.
7. Turn on the Power.



Please remove any ballast or capacitor parts before doing the retrofit.