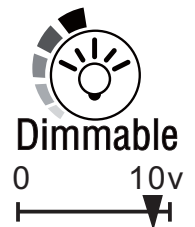
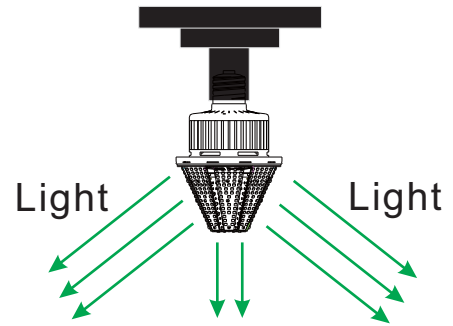


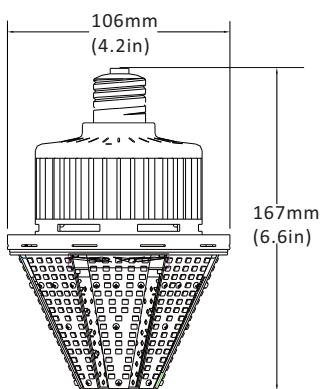
# LED Pyramid Corn Bulb

## HYD-

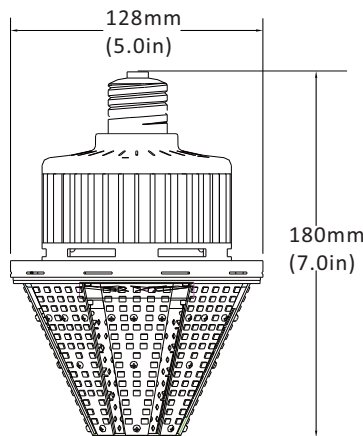
LED Pyramid corn bulb is designed to meet the needs for indoor and outdoor lighting fixtures retrofit (**Base up**), to just replace the inside MH/ HPS / HID lamp, while keep the fixture remain.



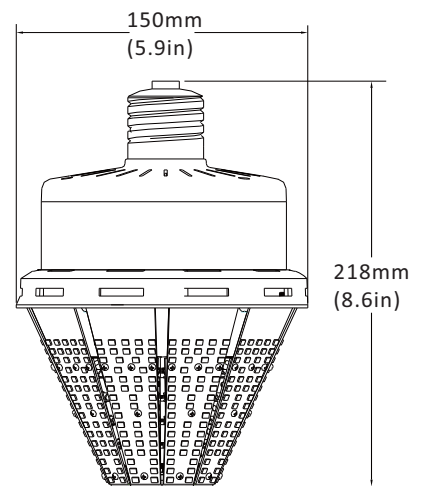
## Dimension



20W



30W-60W



80W

# Lighting Efficiency

The conical surface LEDs layout design direct all light down to the ground, no light to be wasted in the sky, greatly improved the lighting efficiency and lighting effect.



## Comparison

When apply the normal corn bulb to a high bay or low bay fixture, due to the beam angle of itself, much of the light will be direct to the fixture reflector first, there'll be much light lose going through reflection and redirection.

But our pyramid corn bulb will save such process, thus more efficient!



50w Pyramid corn can be equal to 60w-70w normal corn bulb.

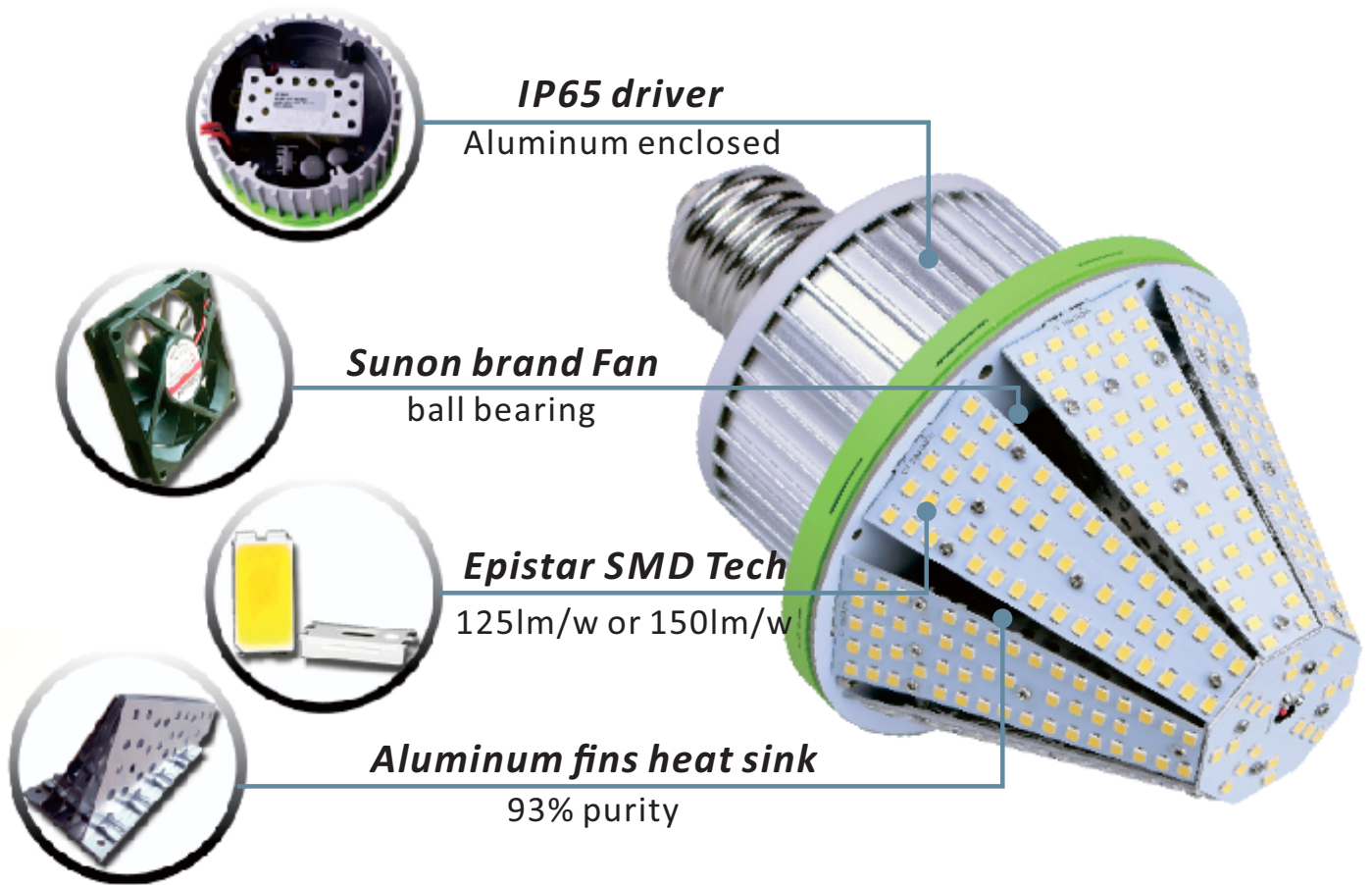


# Why us?

## Would you like to save more money?



From our 10 years experience, many clients has problem with these corn lights in the current market, most failures can be bolt down to heat problem or driver problem. However, we are making the change to improve. It's credit!

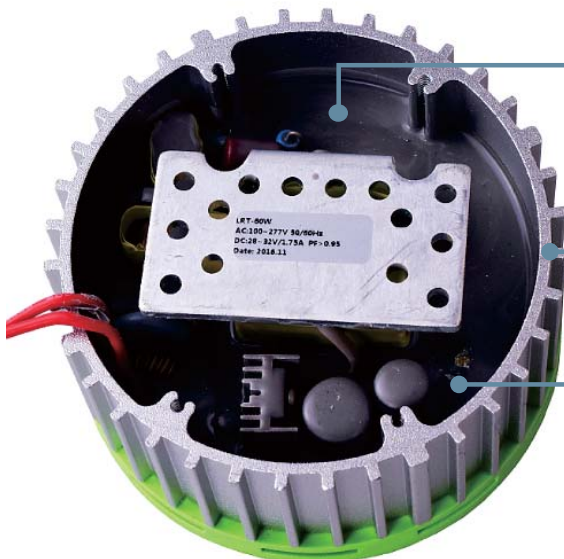


**IP65 driver**  
Aluminum enclosed

**Sunon brand Fan**  
ball bearing

**Epistar SMD Tech**  
125lm/w or 150lm/w

**Aluminum fins heat sink**  
93% purity



**Potting of Smidakh**  
Better for heat dissipation  
mothproof,moisture proof

**Aluminum shell**  
Better for heat dissipation

**Thermal Dimming**  
When the temperature reaches 90°C,  
lamp power is reduced ,to ensure key  
components including the LEDs are  
not overheated.

# Specification data

Item No.	Watts	Dimension	Luminous Flux (125lm/w)	Luminous Flux (150lm/w)	Replacement	CRI
HYD-20W8S	20W	∅ 106*167mm	2,600lm	3,000lm	40-60W HID, CFL	Ra>83
HYD-30W8S	30W	∅ 128*180mm	3,900lm	4,500lm	75-105w MH, HPS	Ra>83
HYD-40W8S	40W		5,200lm	6,000lm	125-150w MH, HPS	Ra>83
HYD-50W8S	50W		6,500lm	7,500lm	175-225w MH, HPS	Ra>83
HYD-60W8S	60W		7,500lm	9,000lm	225-250w MH, HPS	Ra>83
HYD-80W10S	80W	∅ 150*218mm	10,000lm	12,000lm	250-300w MH, HPS	Ra>83

- 125lm/w or 150lm/w
- Universal AC input 100-277Vvac or 100-347Vvac or 200-480Vvac. PF>0.95.
- Dimmable(Optional): 0-10V
- Color temperature: 2200K, 2700K, 3000k, 4000k, 4500k, 5000k, 5700k, 6500k  
Amber, Red, Green, Blue.
- Life time: >50,000 hours
- Warranty: 5 years factory warranty

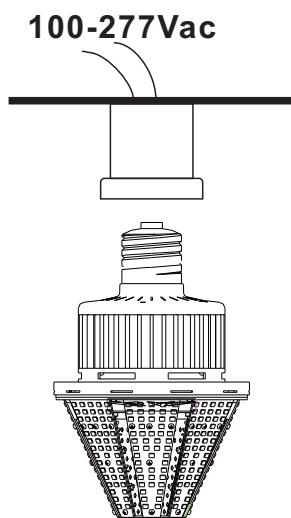
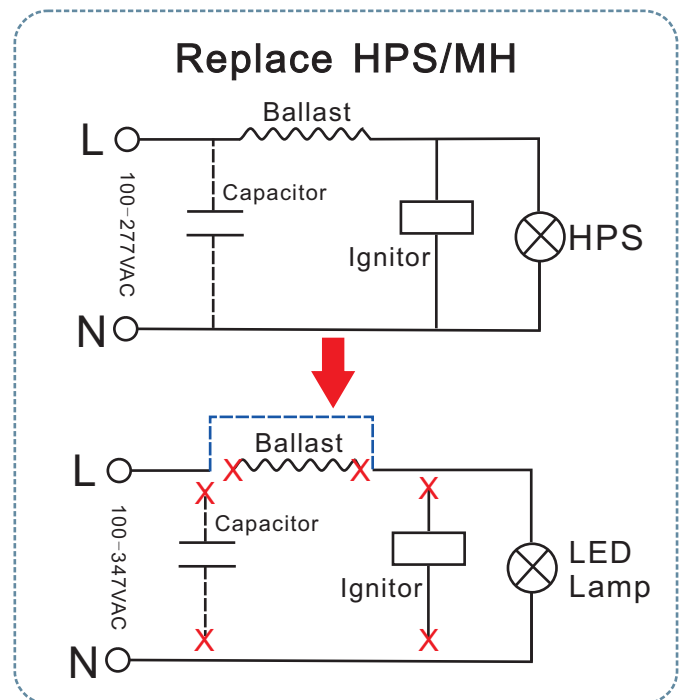
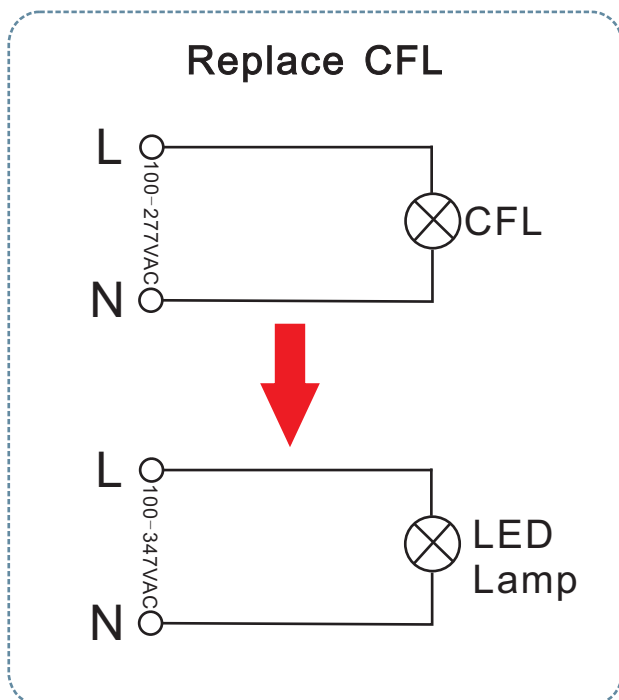
# Applications

LED pyramid corn bulb is mainly for indoor outdoor parking garage canopy lighting fixture, explosive lighting fixture, high bay fixture and pole top lighting fixture (base up) to replace the MH / HPS / HID lamp.



# Installation

1. Turn off the Power.
2. Carefully remove the existing Lamp bulb.
3. Disconnecting the input and output leads of the Ballast, and remove the ballast. Please refer to below the schematic diagram.
4. Inset the LED bulb to the E39/E26 base, Adjust the LED module angle and position so that it provides the best lighting.
5. Connecting the input leads of socket to the supply wires carefully.
6. Double check the Input wires of socket, and make sure all connections are correct.
7. Turn on the Power.



**Please remove any ballast or capacitor parts before doing the retrofit.**