



PROJECT DETAILS BOX	
PROJECT	
PRODUCT	
PREPARER	
TYPE	
NOTES	

DESCRIPTION

The NBQL series Area Light is an aesthetically pleasing outdoor luminaire designed to handle any environment and offer energy savings through its optional NEMA twist-lock photocell and professional grade LEDs. The NBQL is available in 30W, 50W, 75W, 100W, 150W, 200W, 300W with color temperatures of 3000K, 4000K and 5000K. It features Type II, Type III, Type IV and Type V distributions. Mounting Options for this fixture are: Slip Fitter, Square Pole, Round Pole and Wall Mounts.

SPECIFICATIONS Product Features



Applications: Parking lots, plaza lighting, shopping mall, garden, roadways, site and area Lighting and other general lighting applications.

Construction

The NBQL Series LED Area Light has a Die-Cast Aluminium housing with anti-static powder coat paint. It is designed specifically for outdoor use with an IP66 rating. This allows it to endure severe weather conditions for many years to come.

Electrical

Voltage:
100-277 Volt, 347-480 Volt

Wattage:

30w, 50w, 75w, 100w, 150w, 200w, 300w

Installation & Mounting

- Square Pole Arm Mount
- Round Pole Arm Mount
- Slip-Fitter Mount
- Wall Mount/Trunnion Mount

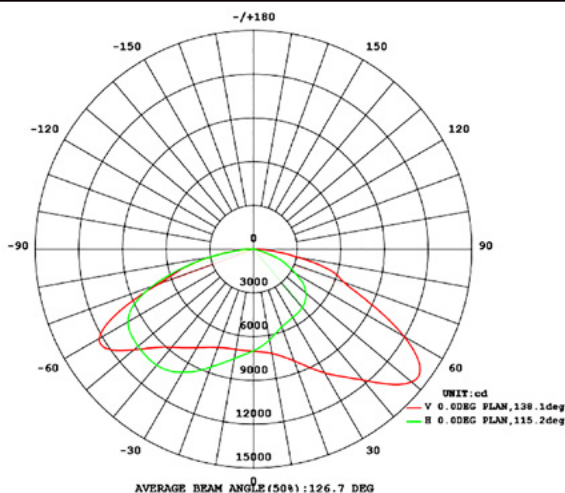
Controls & Dimming

- 0-10 Volt Dimming
- 12 Volt AUX
- Bluetooth Mesh Control
- Twist-lock Dusk to Dawn PC
- Bi-level Occupancy Sensor

Warranty

7 Year Limited Warranty

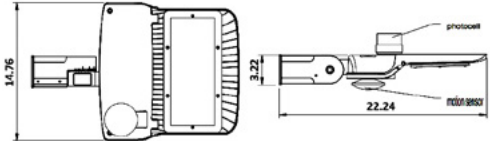
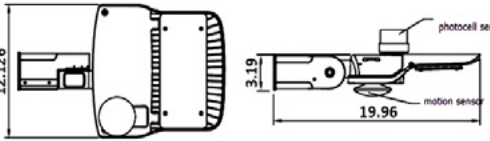
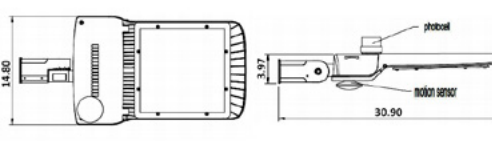
LIGHT DISTRIBUTION (300W)



Performance Summary

Input Voltage	100-277V, 347-480HV
Input Frequency	50/60 Hz
Rated Wattage	30W, 50W, 75W, 100W, 150W, 200W, 300W
Efficacy	150 lm/W
CRI	>70
Available CCT	3000K, 4000K, 5000K
Rated Life (L70)	100,000 hrs
IP Rating	IP66
PF	>0.95
Certifications	ETL, DLC, CE, RoHS, UL, FCC
Working Temp. (°F)	-22°F - 122°F
LED Light Source	SMD 3030 5050



30-75W Housing Size (in)	100-150W Housing Size (in)	200-300W Housing Size (in)
		

Performance Data

MODEL	WATTAGE	CCT: 3000K	CCT: 4000K	CCT: 5000K	EFFICACY (lm/W)	VOLTAGE
NBQL-30W	30watt	4,2154lm	4,308lm	4,410lm	150 lm/W	100-277vac
NBQL-50W	50watt	7,615lm	7,825lm	7,932lm	150 lm/W	100-277vac
NBQL-75W	75watt	11,088lm	11,317lm	11,535lm	150 lm/W	100-277vac
NBQL-100W	100watt	14,930lm	15,251lm	15,482lm	150 lm/W	100-277vac
NBQL-150W	150watt	22,472lm	22,633lm	22,861lm	150 lm/W	100-277vac
NBQL-200W	200watt	30,138lm	30,336lm	30,578lm	150 lm/W	100-277vac
NBQL-300W	300watt	45,624lm	45,886lm	46,204lm	150 lm/W	100-277vac

Ordering Format

Sample: **NBQL-100W-40-HV-T3-ARMT2-PSJL**

SERIES	WATTAGE		CCT	VOLTAGE	OPTICS		FINISH*
NBQL	30W	50W	30 = 3000K 40 = 4000K 50 = 5000K	V = 100-277V HV = 347-480HV	T2	T3	BLANK = Bronze WH = White BLK = Black SVL = Silver
	75W	100W					
	150W	200W			T4	T5	
	300W						

MOUNTING				OPTIONS	
SF	2 3/8" Slip Fitter	ARMT2	Adjustable Arm Mount (Round)	PCN	JL-205C Photocell Sensor
SF2	3" Slip Fitter	WB	Wall Mount	PIR6	Bi-Level PIR Sensor
ARMT1	Adjustable Arm Mount (Square)	SDXX	SD05C-277 / SD10C-480	PR7	JL-204XA-14

Mounting Options

SF	SF2	ARMT1	ARMT2	WB
2 3/8" Slip Fitter	3" Slip Fitter	Adjustable Arm Mount (Square)	Adjustable Arm Mount (Round)	Wall Mount

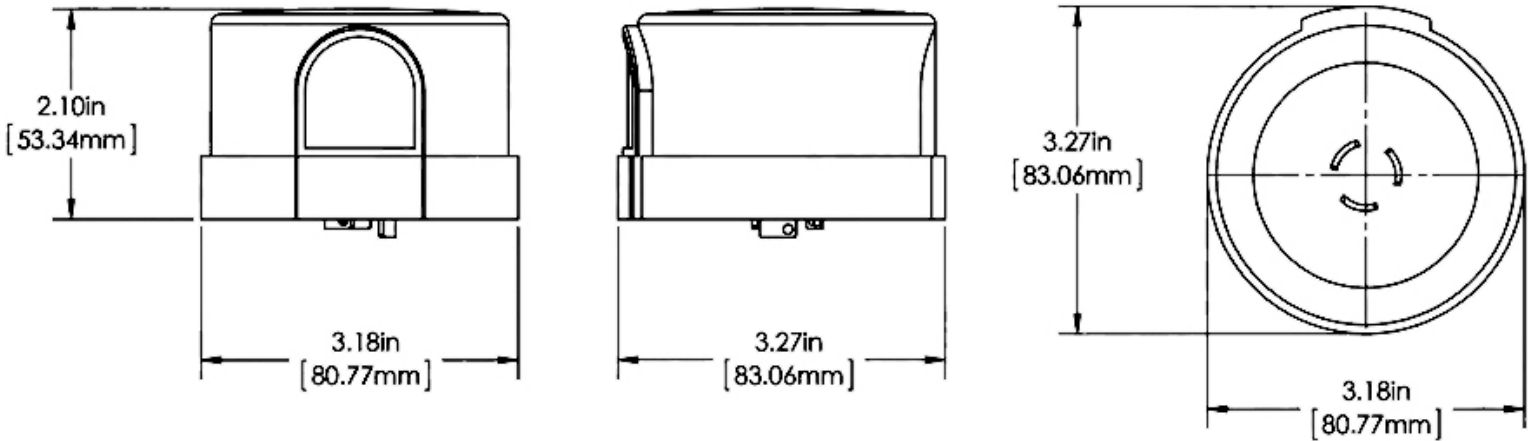
SF 2 3/8" Slip Fitter	SF2 3" Slip Fitter

ARMT1 Adjustable Arm Mount (Square)	ARMT2 Adjustable Arm Mount (Round)

WB Wall Mount	ARMT2 Bracket for Round Pole

120-277V Twist Lock Photocell Light Sensor Switch JL-205C


Product Model	JL-205C
Rated Voltage	110-277VAC
Applicable Voltage Range	105-305VAC
Rated Frequency	50/60Hz
Rated Loading	1000W Tungsten; 1800VA Ballast
Power Consumption	0.5W [STD] / 0.9W [HP]
On/Off Level	16Lx On 24Lx Off
Ambient Temp.	-40°C ~ +70°C
Related Humidity	99%
Overall Size	84(Dia.) x 66mm
Weight Approx.	110g [STD] / 125g [HP]

Dimensions

SD05C-277/SD10C-480 Series Pole Surge Protector


UL 1449 Type 4 CA and IEC/EN 61643-11 T2 standards
With thermal protection
Series or Parallel
In: 5kA, 10kA
UOC/Vmax: 10kV, 20kV
I _{max} : 10kA, 15kA, 25kA
GDT for common mode optional
Rated voltage: 120V, 277V, 347V, 480V
14 AWG wire, lower clamping voltage
IP 66

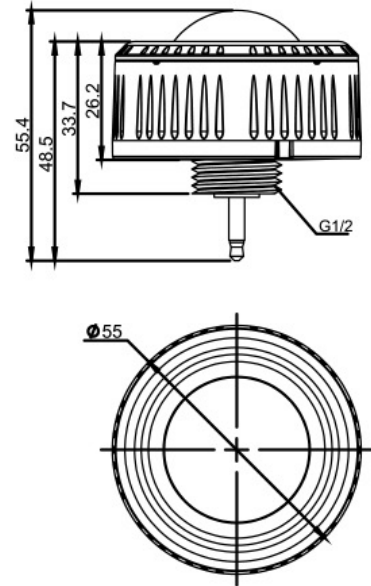
Photocell Receptacle 7 JL-240XA-14


Bi-Level PIR Sensor


ANT-6-4T (sensor)



RC-100


Introduction

The ANT-6-4T mounts in an Outdoor lighting fixture and provides multi-level control based on motion and/or daylight contribution. It controls 0-10 VCD LED drivers or dimming ballasts, and is rated for wet and cold locations. All control parameters are adjustable via a wireless Configuration tool Capable of storing.

Power supply	12V-24V DC, >30mA
Dim control output	0-10V, max. 25mA sinking current
Remote range	50ft. (15m) indoor, no backlight
Dim control output	0-10V
Detection radius	20%/50%/75%/100% (1-8m)
Mounting height	Max 40ft. (12m)
Time setting	10s/1min/5min/10min/15min/20min/30min/60min
Light-control	24H/10LUX/30LUX/50LUX
Temperature	-4°F — +140°F (-20°C — +60°C)
IP rating	IP65

Upon powering the device up, the ANT-6-4T will use factory default parameters to operate. If adjustments are needed, “RC-100” Wireless IR Configuration tool must be used.

⚠ WARNING

NOTE: Warm up time is 40seconds. After the sensor connects input power first time, the light will keep on 40seconds and then go to dimming to work normally.

NOTE: Factory Default Setting: 100% sensitivity, Hold on time: 5min, Daylight sensor is ☀, dimming level: 30% dimming time: 60minuties.

NOTE: Any setting changed by remote control, the LED light that sensor connect will on/off as confirm.