



CCT & Wattage Switchable LED Troffer Light

Product Description

LED SION CCT & Wattage Switchable light use best die-casting aluminum+PC housing, anti-corrosion painting design. High-performance
Replace 50-150W MH/HPS.

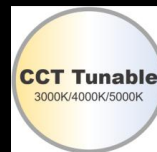
Advantage

- ETL, DLC Premium certificate
- Input voltage 100-277VAC.
- Multiple CCT Switchable
- Multiple Watts Switchable
- 0-10V Dimming
- Aluminum Heatsink for Efficient Heat Dissipation
- Diffusers: extruded impact modified acrylic for increased durability



Applications

Offices, schools, showrooms, airports, retail locations and healthcare facilities.



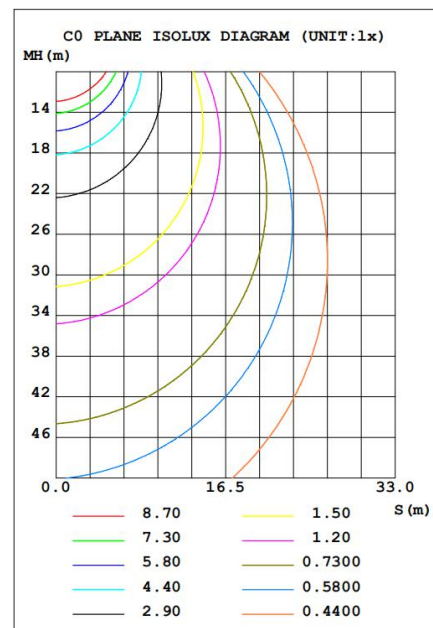
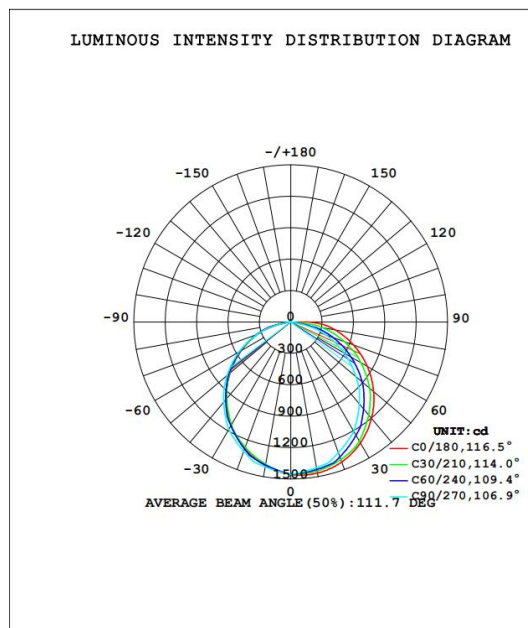


CCT & Wattage Switchable LED Troffer Light

Specifications

Model No.	LS-22TF25/30/35W-XXK	LS-24TF40/45/50W-XXK
Input Power	25/30/35WW	40/45/50W
Lumen	3250LM-3900LM-4550LM	5200LM-5850LM-6500LM
Product size	23.74" × 23.74" (603×603mm)	47.76" × 23.74" (1212×603mm)
Lumen Efficiency	130lm/W	
Color Temperature	3500K - 4000K - 5000K	
CRI	>80	
Viewing Angle	110 Degree	
Input Voltage	100-277VAC 50/60Hz	
PF	≥0.9	
THD	≤20%	
Driver Brand	China brand driver	
Dimmer	0-10V Dimming	
Housing	Aluminum+PC	
Housing Color	White	
Waterproof Rating	DAMP (IP41)	
Operating Temperature	-40°C TO 45°C	
Operating Humidity	20%-90% RH	
Storage Temperature	-40°C TO 80°C	
Storage Humidity	10%-95% RH	
Warranty Time	5 Years	

Photometrics





CCT & Wattage Switchable LED Troffer Light

Projected LED Lumen Maintenance

Operating hours	0	25000	50000
Lumen maintenance factor	1	0.91	0.8

Data references the extrapolated performance projections for the Linear Highbay LED platform in a 25°C ambient, based on 10,000 hours of LED testing (tested per IESNA LM-80-08 and projected per IESNA TM-21-11).

Dimension



CCT & Wattage Tuning Switch



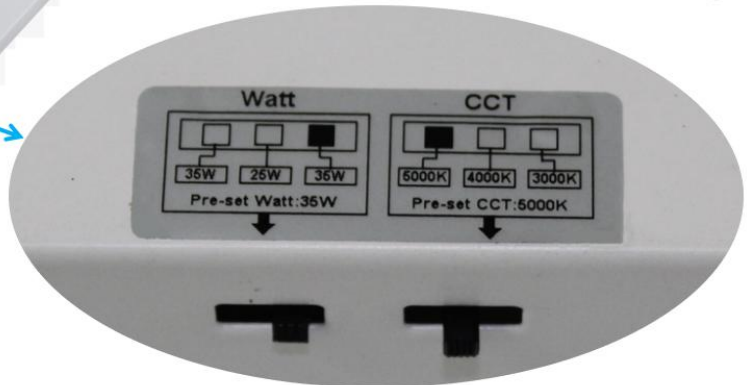
Double Switch for CCT & Watt tuning

Watt swithcable options:

- | 2x4' | 2x2' |
|-------|-------|
| ▶ 40W | ▶ 25W |
| ▶ 45W | ▶ 30W |
| ▶ 50W | ▶ 35W |

CCT swithcable options:

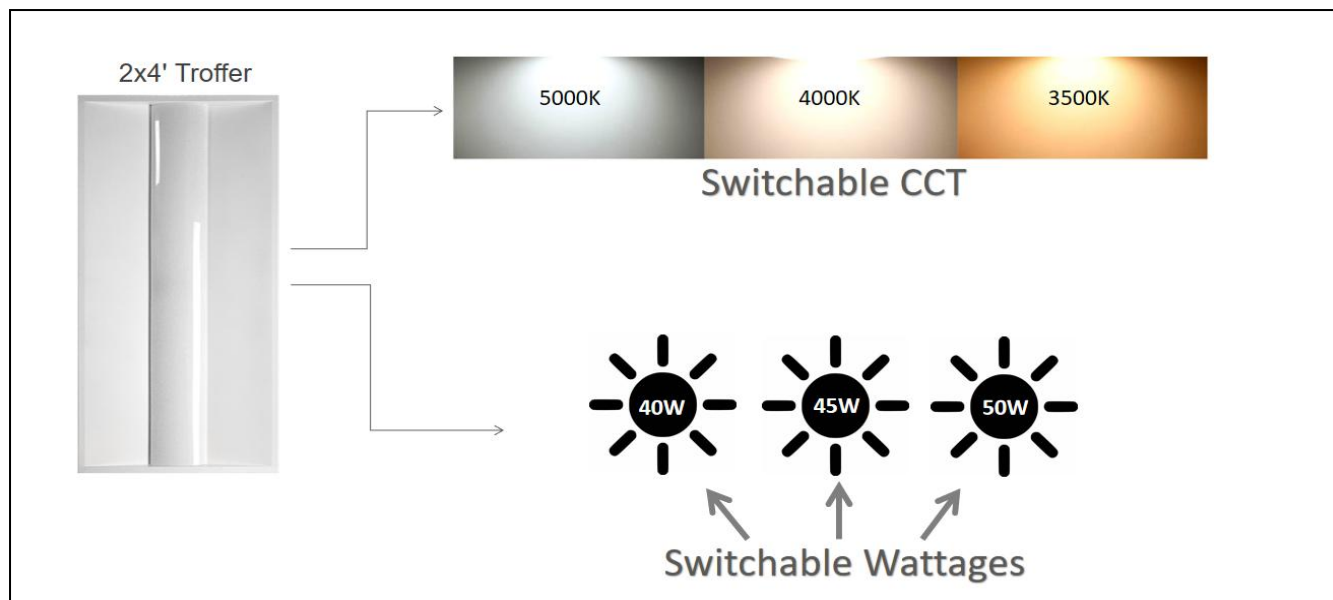
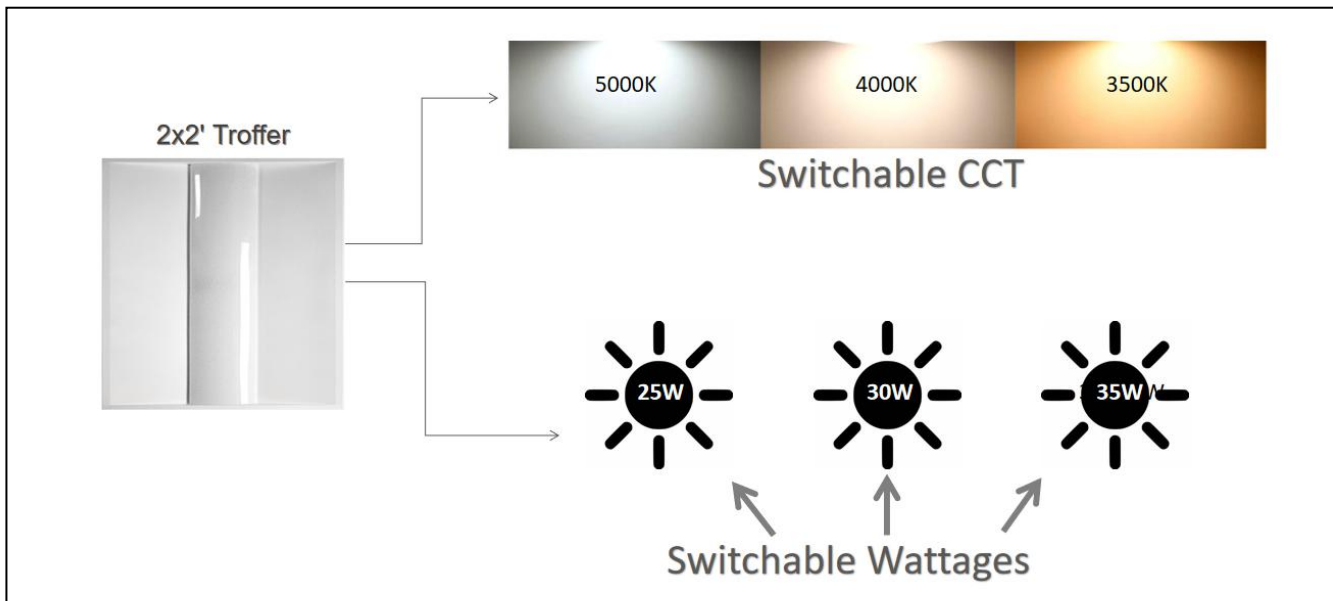
- ▶ 5000K
- ▶ 4000K
- ▶ 3500K





CCT & Wattage Switchable LED Troffer Light

CCT & Wattage Tunable Features

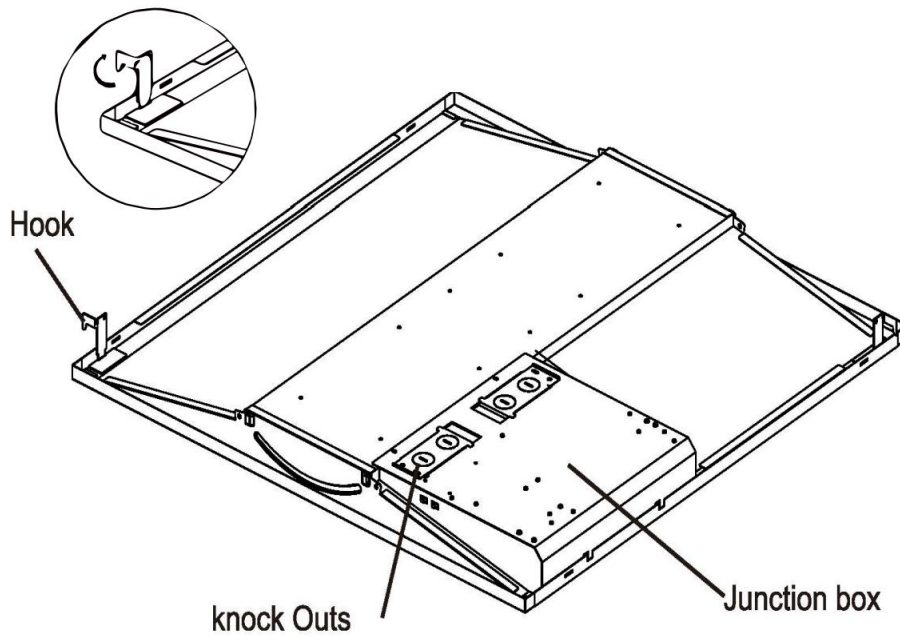


Installation instruction

1. Turn OFF power to the fixture at the breaker panel before installation.
2. Remove existing lamps, door frame (if applicable), rector and ballast cover. Depending on clearance space, ballast may need to be removed.
3. Connect the BLACK/BROWN lead to LINE(+) supply lead. Connect the WHITE/BLUE lead to NEUTRAUCOMMON (-) supply lead.
4. Connect the GREEN lead to GROUND supply lead.
5. If any, connect PURPLE/BLUE to 0-10V SIGNAL supply lead and GREY/WHITE to 0-10V NEUTRAUREFERENCE supply lead.
6. For safety, bend the end of the hook to the right with 90 degrees and attach the hook on the housing onto the T-Bar

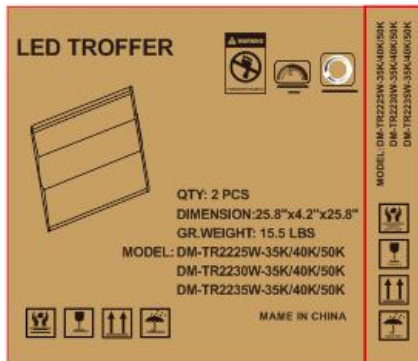


CCT & Wattage Switchable LED Troffer Light



Packing

Model	Length/cm	Width/cm	Height/cm	Qty/ctn	G.W/kg
2x2	65.5	10.5	65.5	2	7
2x4	126	10.5	65.5	2	14.5



Notice for User

Please turn off power before install or change assembly parts.
The input voltage and lamps should be matched, after connecting the power line,
Please make sure the wiring section is insulated.
No-professionals, must not install and disassemble the lamps.

After-sale Service

The product refers to electricians knowledge. Please don't disassemble it by yourself.
If any quality problem happens, please contact the factory for warranty details.

NOTE: Actual performance may differ as a result of end-user environment and application. All values are without notice.