



CL-10 is Designed with a Pyramid Top and includes geometric lines that overlap an opal acrylic lens. This fixture is available in three different sizes to best suit desired specifications. CL-10 is commonly installed in exterior locations such as: Hotels, Restaurants, Public Transportations Facilities and Other Commercial Areas.

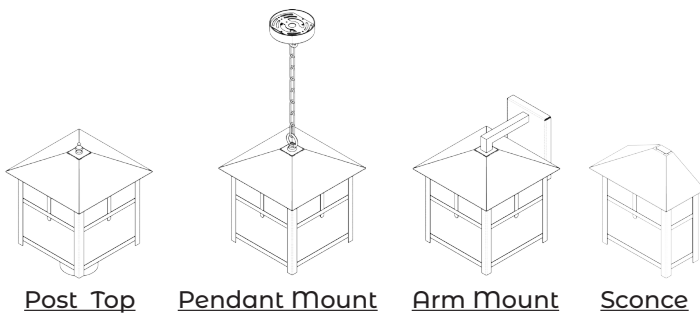
-10year or 10,000 Hour Limited Warranty

Feactures:

- 120/277 Multi-volt
- UL listed for damp and wet locations
- Kelvin: 30K, 40K or 50K
- High efficacient Lumined LED`s

Construction

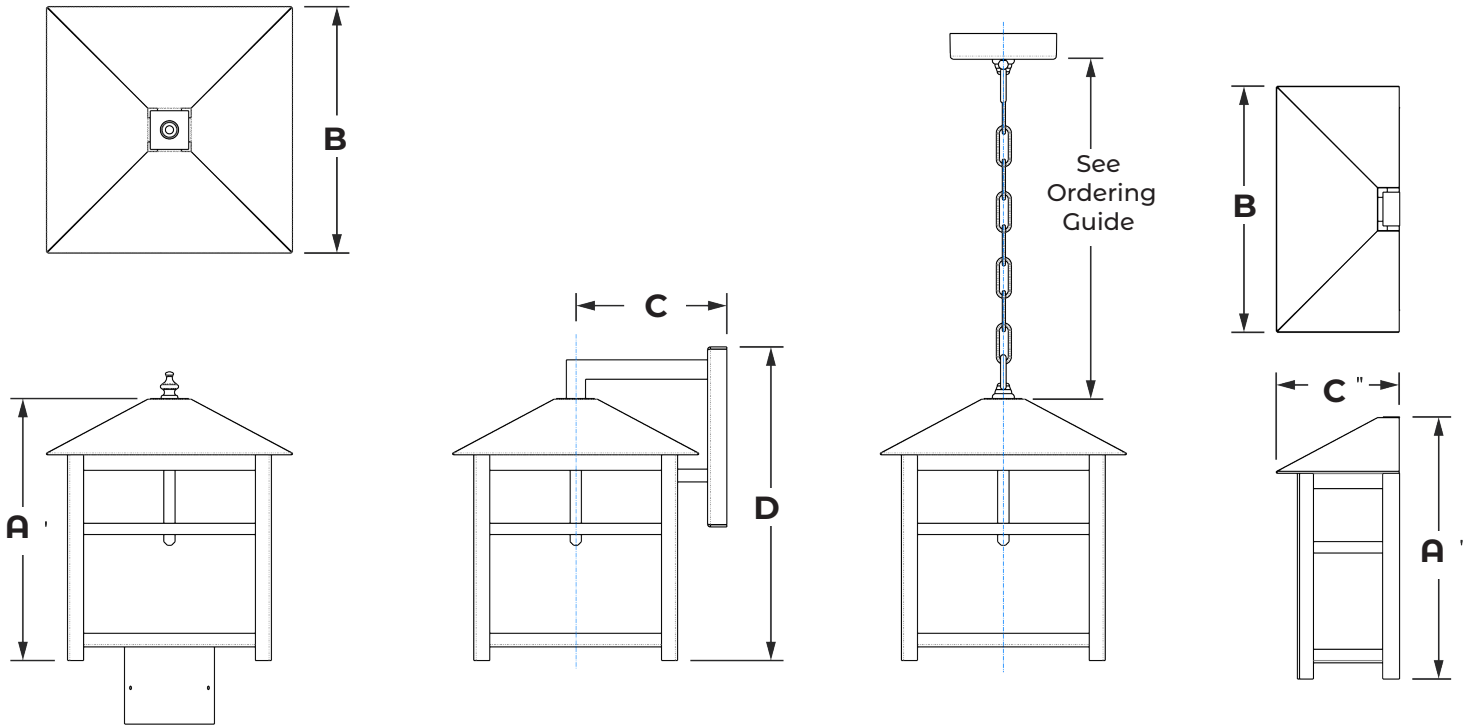
- Housing is Heavy Gauge Aluminum material.
- Frosted Acrylic Lens (Standard)
- Multiple Finishes to choose (See Ordering Guide)



Example: CL-10S-10CLED-30K-MV-BLK-WM-PC

Cat #	Wattage	Color Temp.	Voltage	Finish	Mounting	Options
CL-10 Smal (CL-10S) -----	5W (5CLED)	3000K (30K)	120-277V (mv)	Matte Black (MBLK) Glossy Black (GBLK) Texture Black (TBLK) Texture White (TWHT) Silver (SLR) Bronze (BRZ) Graphite (GPH)	Sconce (SCN)	Button Photocell (PC)
CL-10 Medium (CL-10M)	10W (10CLED)	4000K (40K)			Arm Mount (AM)	Micro Wave Sensor (MWS)
CL-10 Large (CL-10L)	20W (20CLED)	5000K (50K)			Post Top (PT)	Emergency Batt. Pack (EMR)
	30W (30CLED)				Pendant Mount Chain	Opal Acrylic Lens (OAL)
	25W (25CLED)				1ft (cm1)	
	40W (40CLED)				2ft (cm2)	
					3ft (cm3)	

### Mounting Options



CL-10-PT (Post Top)		
Cat#	A	B
CL-10S	10"	7" 1/2
CL-10M	11"	9" 1/2
CL-10L	15"	11"

CL-10-AM (Arm Mount)				
Cat#	A	B	C	D
CL-10S	10"	7" 1/2	9"	12"
CL-10M	11"	9" 1/2	6" 1/4	13"
CL-10L	15"	11"	7"	17"

CL-10-SCN (Sconce)			
Cat#	A	B	C
CL-10S	10"	7" 1/2	3" 3/4
CL-10M	11"	9" 1/2	4" 3/4
CL-10L	15"	11"	5" 1/2

Cat #	Input Power	Lumen Output	LPW	Color Temp. (CCT)	CRI	Rated Life (L70)	Input Voltage
CL-10S-5CLED	10W	918	183	5000K	70+	>200,000	120-277V
CL-10S-10CLED	15W	1,914	191	5000K	70+	>200,000	120-277V
CL-10S-15CLED	20W	2754	183	5000K	70+	>200,000	120-277V
CL-10s/m-20CLED	25W	2,935	146	5000K	70+	>200,000	120-277V
CL-10m/L-30CLED	35W	4842	161	5000K	70+	>200,000	120-277V
CL-10m/L-35CLED	40W	5320	152	5000K	70+	>200,000	120-277V
CL-10m/L-40CLED	45W	6252	156	5000K	70+	>200,000	120-277V

Proudly Manufactured and Assembled in the USA