



First slide details. Second slide details. Third slide details. Current Slide Forth slide details. Fifth slide details. Sixth slide details.

PRODUCT – AREAMASTER™ GENERATION 2 LED LUMINAIRE

Floodlight for Hazardous Locations

NEC/CEC:

Class I, Division 2, Groups A, B, C, D
Class I, Zone 2 Group IIC
Class II, Division 1 and 2, Groups E, F, G
Class III
Zone 20 and 21 Group IIIC
Zone 22, Group IIIB
Simultaneous Exposure
Marine Outside Type (Salt Water) for USA ONLY
Wet Locations

Type 3R, 4, 4X, IP66/67

APPLICATIONS

Enclosed and gasketed fixtures suitable for use in:

- A wide range of industrial, chemical processing and other areas where flammable gases and vapors are present, for example
- Oil and Gas Refineries
- Petrochemical Plants
- Foundries
- Drilling Rigs
- Pulp and Paper Mills
- Food and Beverage Processing Facilities
- Loading Docks
- Power Plants
- Water and Wastewater Treatment Facilities
- Other areas where corrosive, wet, dirty and tough environments are a problem
- IP66/IP67, Type 4X, marine and wet locations
- Locations requiring dependable, consistent lighting in extreme hot/cold temperature environments. -40 °C to +65 °C (-40 °F to +149 °F) ambient temperature range

SPECIFICATIONS

Key features

Choice of optics for optimal light distribution in a variety of applications. Separate field wiring compartment with screw terminal block for easy and secure connection (can accept UL/CSA 26-10AWG).

Two 3/4" NPT entries provided.

Yoke bracket is designed to accommodate traditional Areamaster brackets and slipfitters for easy retrofit.

Choice of color temperature (CCT); 5000K cool white or 3000K warm white.

Rugged and compact housing with superior thermal design translates to long luminaire life.

Heavy duty, high temperature silicone rubber gaskets.

Thermal shock and impact resistant clear or frosted glass lens.

Standard 6KV surge protection.

Captive fasteners secure one piece lens.

Field replaceable LED driver and lens cover.
Three lumen outputs provide up to 19,500 lumens

Nominal Lumens¹	Wattage (W)	Efficacy (lpw)
9,500	70	136
15,000	110	136
19,500	150	130

¹ Nominal lumen value for 5000K, detailed lumen information provided in tables.

Options

Improved safety cable design with multiple retention points, purchase separately
Guard and visor available, purchase separately
Slip-fitters and mounting brackets available for easy pole or wall mounting
10KV Surge Protection

Standard Materials

Housing and lens door: copperfree (4/10 of 1% max.) aluminum
Gaskets: silicone rubber
Yoke: zinc plated HR steel
Bolts: stainless steel
Close up plugs: (1) aluminum provided
Guard and safety cable: stainless steel
Visor: Aluminum

Standard Finishes

Housing, lens cover, visor and yoke mount: architectural bronze polyester

Related Products

Round Tapered Steel Poles
Hinged Steel Poled
Square Tapered Steel Poles
Square Steel Poles
Floodlight Mounting Brackets

NEC/CEC CERTIFICATIONS AND COMPLIANCES

UL Standards:

UL 844, Luminaires for Use in Hazardous Locations
UL 1598, Luminaires
UL 1598A, Luminaires for Installation on Marine Vessels

UL 8750, LED Equipment for Use in Lighting Products

CSA Standards:

CSA C22.2 No. 250.0, Luminaires

CSA C22.2 No. 137, Luminaires for Use in Hazardous Locations

cCSAus: 164460, Certificate Number: 70073611

NOMENCLATURE

AMLG	-	L7	-	C	-	G	-
(1)		(2)		(3)		(4)	

(1) Series

AMLG – Areamaster 2 LED Series

(2) Lumen Level

L6 – 9K

L7 – 15K

L8 – 19K

(3) Cool Temp CCT

C – 5000K

W – 3000K

(4) Diffusion

G – Clear Glass

F – Frosted Glass

(5)

6 – 7x7 (non-optic)

7 – 7x6

(6) Voltage

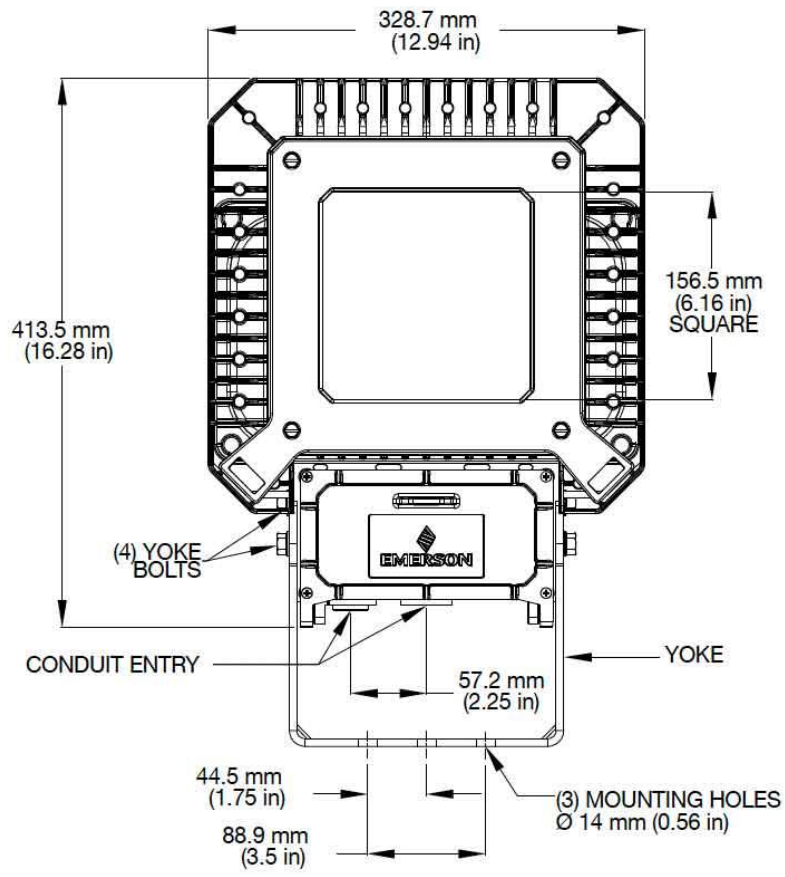
BU – 120v/277Vac 50/60Hz, 170-300Vdc

BH – 347-480Vac 50/60Hz

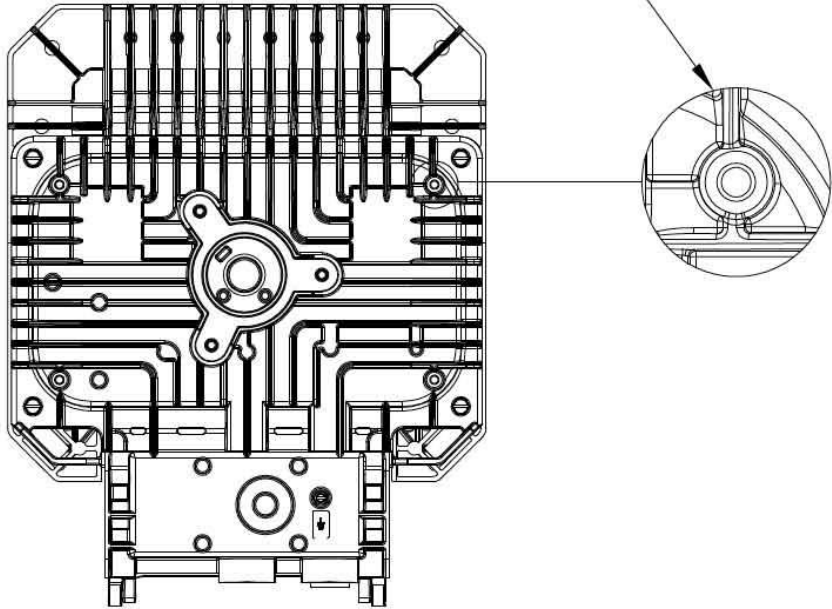
(7) Fusing

S – 10 KV Surge Protection

LAMPS INCLUDED IN ALL FIXTURES



(4) 1/4-20 UNC-2B THREAD



(2) HUBS FOR 3/4" NPT CONDUIT

