

LED Post Top Lantern (New Mould Ones)



(Without cover)



(With PC Cover)



(With Glass cover)



(With Photocell sensor)

1.Features

- Power Factor: ≥ 0.95
- LED Chip: Lumileds/Samsung
- CRI: $Ra \geq 70$
- Dimming: YES/No
- Cover: PC/Glass Cover/No Cover

Photocell sensor: Y/N

Material: Aluminum alloy + PC cover/Glass cover/No Cover

- Standard color: dark bronze/Black
- Working Temperature: $-40^{\circ}\text{F} \sim 122^{\circ}\text{F}$
- Lifespan: > 54000 hours (@ $T_c = 176^{\circ}\text{F}$)
- Total Harmonic Distortion: 15%

2.Application

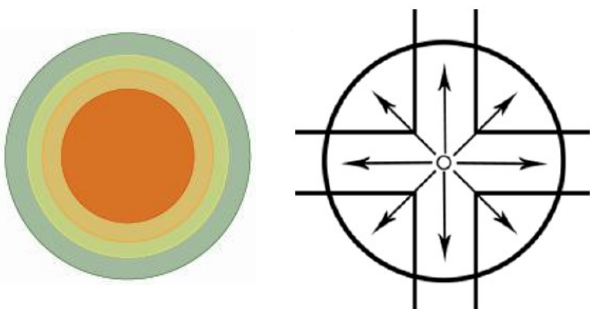
City Urban, plaza , shopping mall , roadway ,garden ,House and general lighting applications.

3.Ordering Information

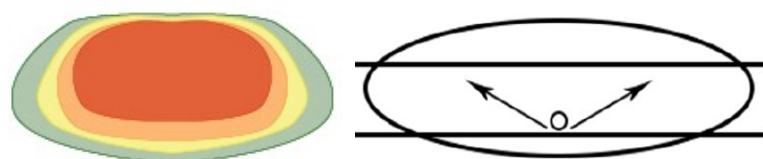
Model	Wattage	CCT	Lumen	Package size(IN)	G.W.(LBS)	Warranty
YR-TP890-W030	30watt	5000K	3,600lm	13*13*28.6 IN	15.2 LBS	5 years
YR-TP890-W060	60watt	5000K	7,200lm	13*13*28.6 IN	15.2 LBS	5 years
YR-TP890-W120	120watt	5000K	13,500lm	13*13*28.6 IN	17.2 LBS	5 years

4.Beam Angle

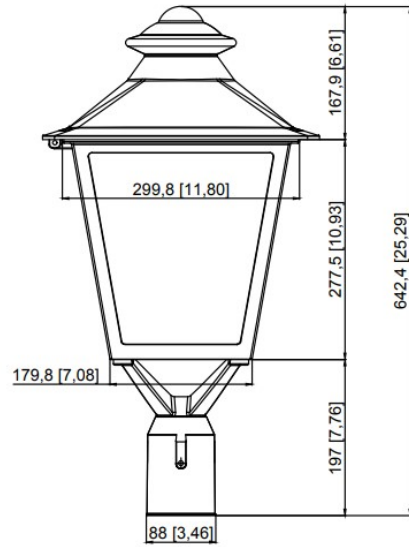
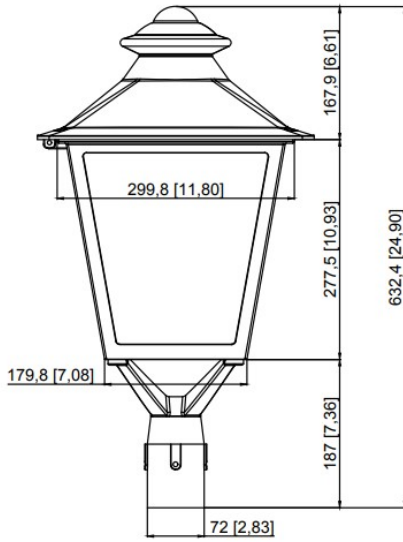
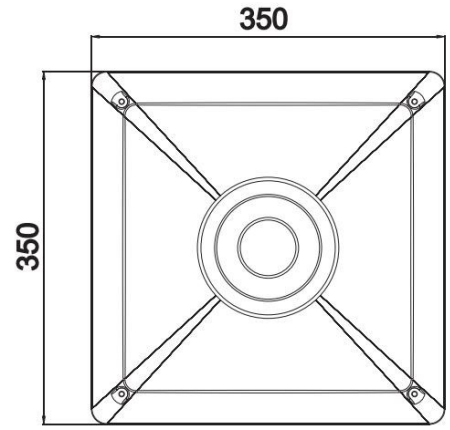
Type V for Garden Lighting Using



Type II For Roaway Lighting Using



5.Dimension (Suitable for 2 3/8"/3 " diameter straight poles)---While using adapters could installed in other size of 4"/5"/6" diameter ones



6. Bottom Shield

(1)Iron Plate to Shield the Light (Suggested for low installation)



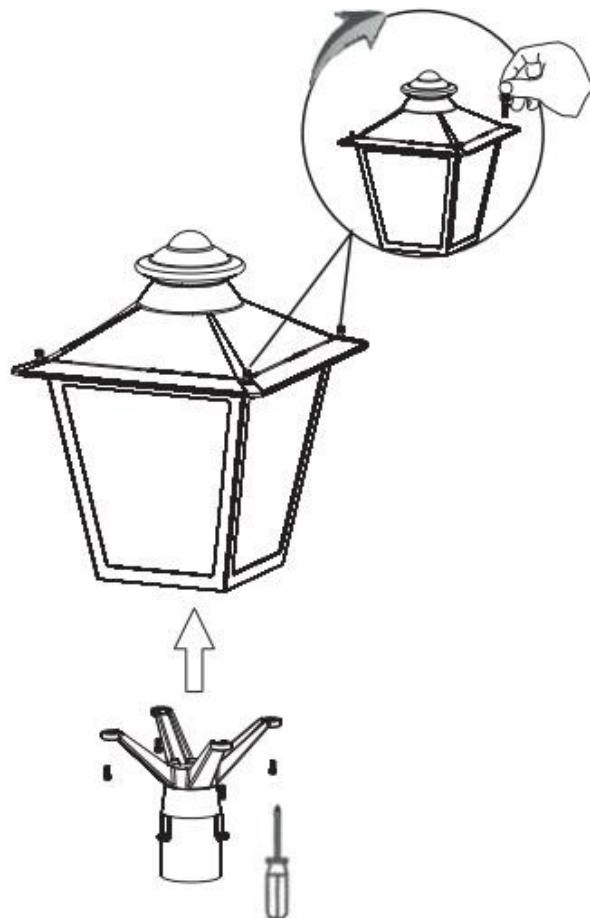
(2)Transparent not to Shield the Light (Suggested for high installation)



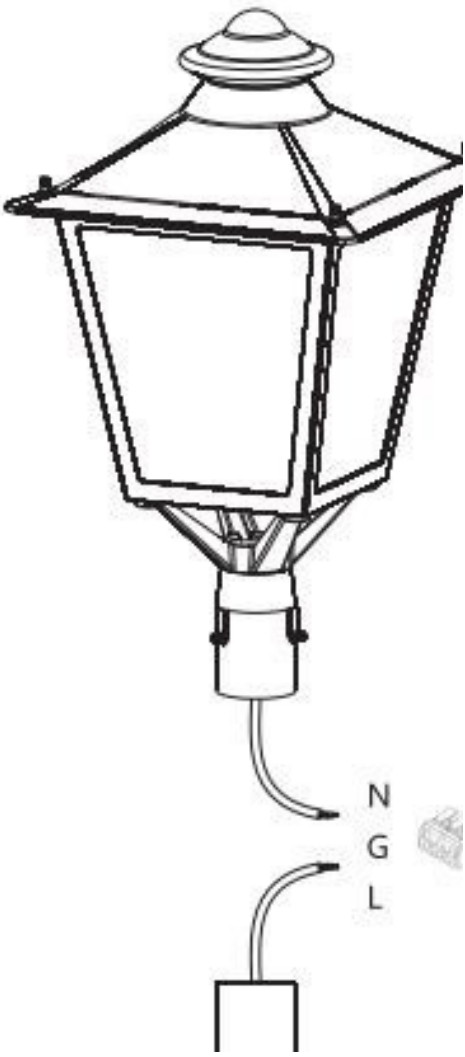
7.Installation Instruction



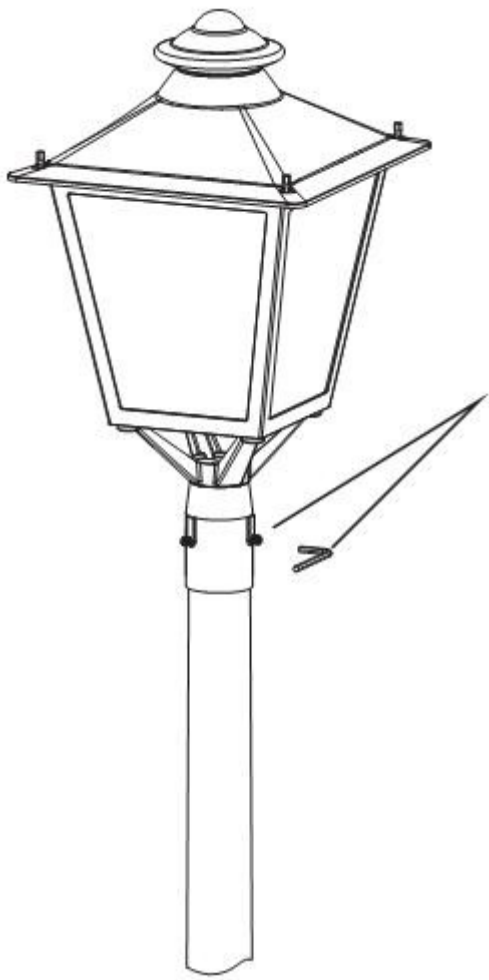
Step 1. Use your hand or tools to loosen the 2 screws on the top of the fixture, open the top cover of the fixture, and then take out the mount bracket inside the fixture



Step 2. Close the top cover of the fixture, and fix the top cover onto the fixture using screws. And then after use screw driver to fix the mount bracket to the fixture.

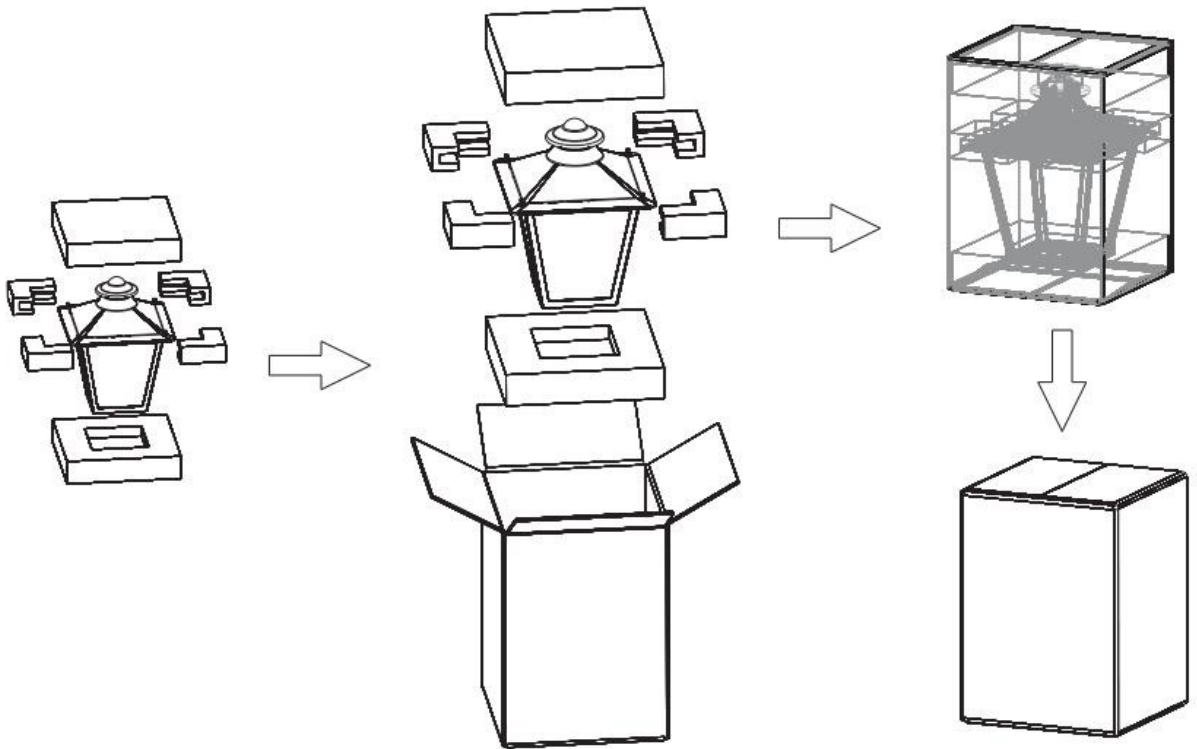


Step 3. Wire the cable with the cable in the pole.



Step 4. Use screws to fix the fixture onto the pole.

8.Package



9.Outlook installed



10.Attention

- (1) Cut off the power and make sure the installation place/body could burden the weight of the fixture.
- (2) Make sure the fixture installed correctly,avoid fixture dropping down.
- (3) Do not use the fixture in the place which is corrosive area,unless let us know in advance and making special painting.
- (4) Do not cover anything which would affect the heat dissipation.
- (5) 5 years warranty
- (6) Products quality issue caused by dis-assembling,changing the fixture are not in the warranty period.