

Post top led area light



Features

- Power Factor: ≥ 0.90
- LED Chip: Philips
- CRI: $R_a \geq 70$
- Dimming: 1-10V
- Material: Aluminum alloy + PC optics lens
- Standard color: dark bronze
- Working Temperature: $-40^{\circ}\text{F} \sim 122^{\circ}\text{F}$
- Lifespan: > 54000 hours (@ $T_c = 176^{\circ}\text{F}$)
- Total Harmonic Distortio: 18.17%

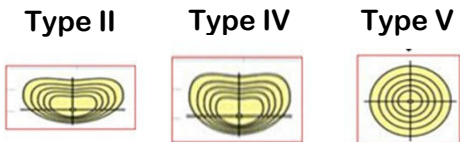
Application

Parking lots , plaza lighting ,shopping mall, garden,roadway ,site & area lighting and general lighting applications.

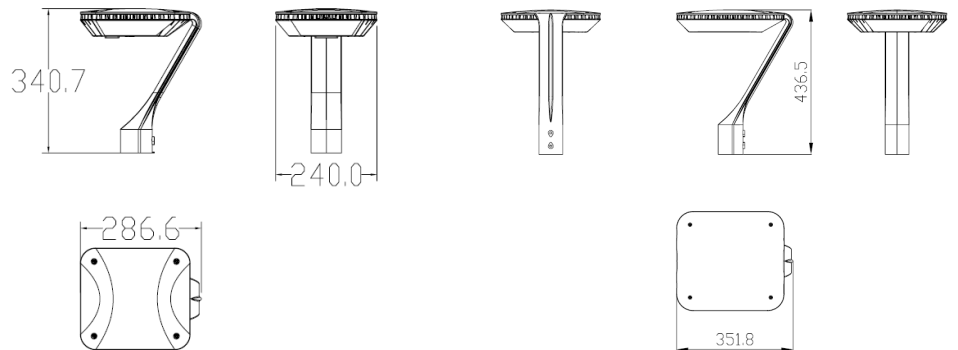
Ordering Information

Model	Wattage	CCT	Lumen	Input Frequency	G.W	Carton size
YR-TP260-W020	20watt	5000K	2,088lm	50/60HZ	5.0KG	320*285*415mm
YR-TP260-W035	35watt	5000K	3,469lm	50/60HZ	5.2 KG	320*285*415mm
YR-TP325-W50	50watt	5000K	4,702lm	50/60HZ	8.0 KG	485*350*400mm
YR-TP325-W100	100watt	5000K	11,327lm	50/60HZ	8.2 KG	485*350*400mm

Beam Angle



Dimension



Different adaptors optional

