

CLP-Decorative Arms
Architectural Arms
DESIGN-FUNCTION-QUALITY



Crystal Lighting Corp.



Decorative Arm 1 is constructed of Extruded Aluminum Tubing. Mount over Round Poles or Tenons of 3", 3-1/2", 4", 4-1/2", or 5" OD, DA1 and is secured with 3/8" Stainless Steel Set Screws. Contact us for custom configuration or others mounting. All Decorative Arms are Proudly Designed, Fabricated and Assembled in the USA.

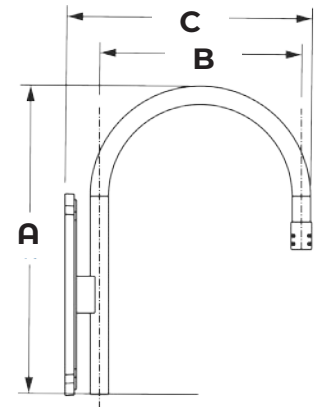
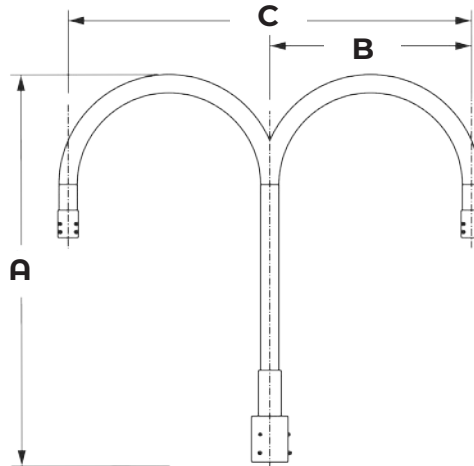
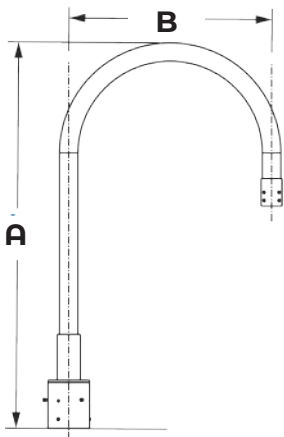
DA1-SGL



DA1-D180



DA1-WM



| Dimensions | | | | EPA |
|------------|---------|-----|---------|------|
| Cat# | A | B | C | EPA |
| DA1-SGL | 42" | 22" | - | 1.16 |
| DA1-D180 | 42" | 22" | 44" | 1.33 |
| DA1-WM | 33" 1/2 | 22" | 27" 3/4 | 1.22 |



Example: (DA1-SGL-3-BLK)

| DA-1 | | | |
|---------------------------|--------------------|-----------------------------|----------------|
| Cat # | Mounting | Diameter (Pole or Tenon) | Color |
| Decorative Arm 1 (DA1) | Single (SGL) | 3" OD (3) | Black (BLK) |
| | Double 180° (D180) | 3" 1/2 OD (312) | White (WH) |
| | Wall Mount (WM) | 4" OD (4) | Bronze (BRZ) |
| | | 4" 1/2 OD (412) | Silver (SIL) |
| | | 5" OD (5) | Graphite (GPH) |
| | | | Custom (CST) |

Decorative Arm 2 is Constructed of Extruded Aluminum Tubing. Mount over Round Poles or Tenons of 3", 3-1/2", 4", 4-1/2", or 5" OD, DA2 and is secured with 3/8" Stainless Steel Set Screws. Contact us for custom configuration or others mounting. All Decorative Arms are Proudly Designed, Fabricated and Assembled in the USA.

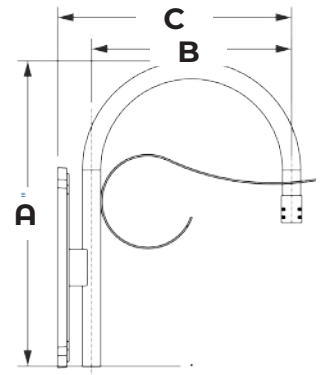
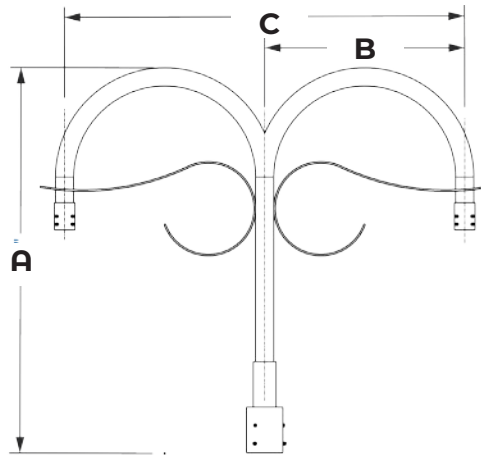
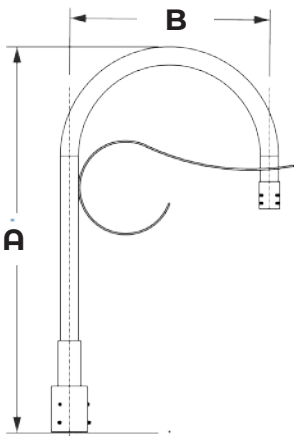
DA2-SGL



DA2-D180



DA2-WM



| Dimensions | | | | EPA |
|------------|---------|-----|---------|------|
| Cat# | A | B | C | EPA |
| DA2-SGL | 42" | 22" | - | 1.18 |
| DA2-D180 | 42" | 22" | 44" | 1.36 |
| DA2-WM | 33" 1/2 | 22" | 27" 3/4 | 1.25 |

Example: (DA2-SGL-3-BLK)

| DA-2 | | | |
|---------------------------|--------------------|---|--|
| Cat # | Mounting | Diameter (Pole or Tenon) | Color |
| Decorative Arm 2 (DA2) | Single (SGL) | 3" OD (3) | Black (BLK) |
| | Double 180° (D180) | 3" 1/2 OD (312) | White (WH) |
| | Wall Mount (WM) | 4" OD (4) 4" 1/2 OD (412) 5" OD (5) | Bronze (BRZ) Silver (SIL) Graphite (GPH) Custom (CST) |

Decorative Arm 3 is Constructed of Extruded Aluminum Tubing. Mount over Round Poles or Tenons of 3", 3-1/2", 4", 4-1/2", or 5" OD, **DA3** and is secured with 3/8" Stainless Steel Set Screws. Contact us for custom configuration or others mounting. All Decorative Arms are Proudly Designed, Fabricated and Assembled in the USA.

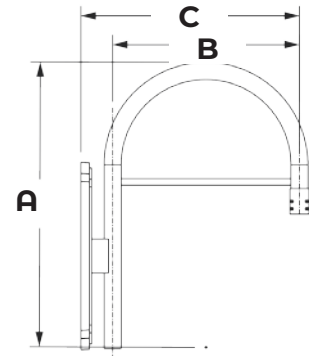
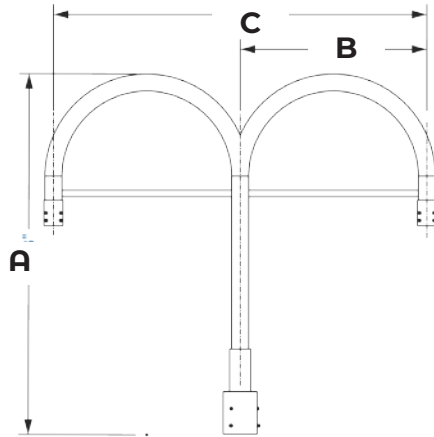
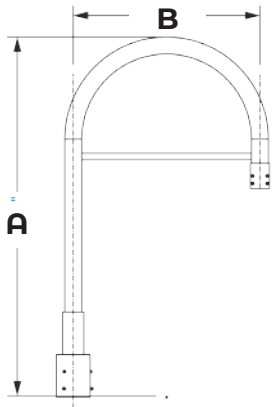
DA3-SGL



DA3-D180



DA3-WM



| Dimensions | | | | EPA |
|------------|---------|-----|---------|------|
| Cat# | A | B | C | EPA |
| DA2-SGL | 42" | 22" | - | 1.18 |
| DA2-D180 | 42" | 22" | 44" | 1.35 |
| DA2-WM | 33" 1/2 | 22" | 27" 3/4 | 1.26 |



Example: (DA3-SGL-3-BLK)

| DA-3 | | | |
|----------------------------------|---------------------------|-----------------------------|-----------------------|
| Cat # | Mounting | Diameter (Pole or Tenon) | Color |
| Decorative Arm 3 (DA3) | Single (SGL) | 3" OD (3) | Black (BLK) |
| | Double 180° (D180) | 3 1/2 OD (312) | White (WH) |
| | Wall Mount (WM) | 4" OD (4) | Bronze (BRZ) |
| | | 4 1/2 OD (412) | Silver (SIL) |
| | | 5"OD (5) | Graphite (GPH) |
| | | | Custom (CST) |

Decorative Arm 4 is Constructed of Extruded Aluminum Tubing. Mount over Round Poles or Tenons of 3-1/2" or 4" OD, **DA4** and is secured with 3/8" Stainless Steel Set Screws. Contact us for custom configuration or others mounting. All Decorative Arms are Proudly Designed, Fabricated and Assembled in the USA.

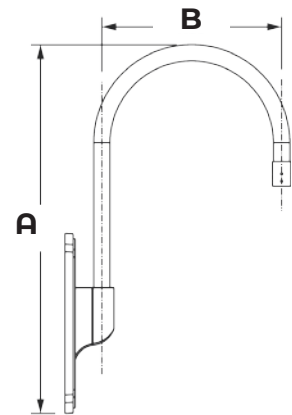
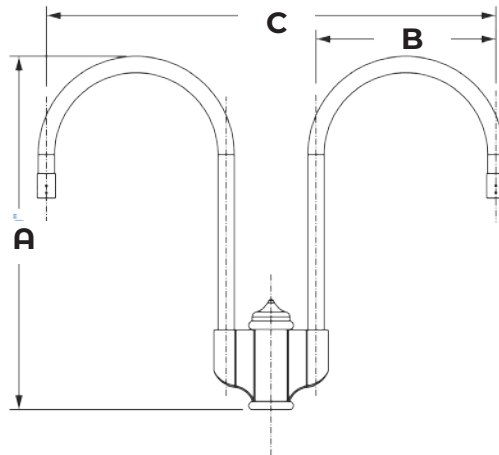
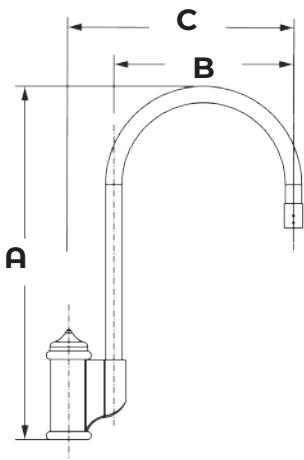
DA4-SGL



DA4-D180



DA4-WM



| Dimensions | | | | EPA |
|------------|-----|-----|---------|-----|
| Cat# | A | B | C | EPA |
| DA4-SGL | 43" | 22" | 27" 1/2 | 1.2 |
| DA4-D180 | 43" | 22" | 55" | 2.5 |
| DA4-WM | 45" | 22" | 26" 1/2 | 1.4 |

Example: (DA4-SGL-3-BLK)

| DA-4 | | | |
|----------------------------------|---------------------------|--|---|
| Cat # | Mounting | Diameter (Pole or Tenon) | Color |
| Decorative Arm 4 (DA4) | Single (SGL) | 3" 1/2 OD (312) 4" OD (4) | Black (BLK) White (WH) Bronze (BRZ) Silver (SIL) Graphite (GPH) Custom (CST) |
| | Double 180° (D180) | | |
| | Wall Mount (WM) | | |

Decorative Arm 5 is Constructed of Extruded Aluminum Tubing. Mount over Round Poles or Tenons of 3-1/2" or, 4" OD, **DA5** and is secured with 3/8" Stainless Steel Set Screws. Contact us for custom configuration or others mounting. All Decorative Arms are Proudly Designed, Fabricated and Assembled in the USA.

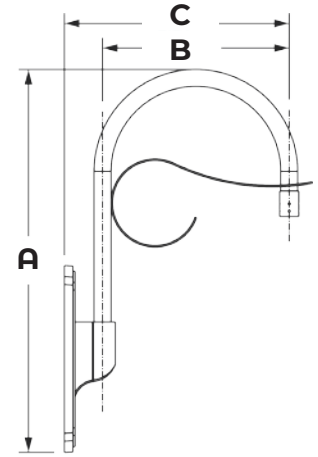
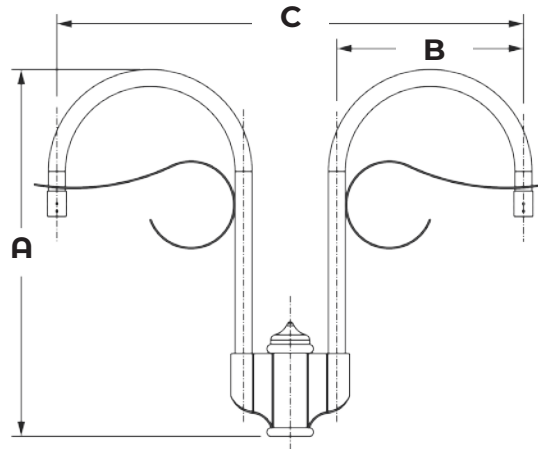
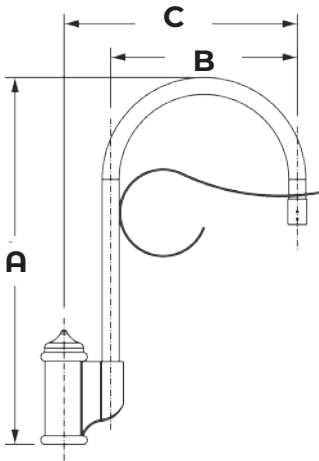
DA5-SGL



DA5-D180



DA5-wm



| Dimensions | | | | EPA |
|------------|-----|-----|---------|------|
| Cat# | A | B | C | EPA |
| DA5-SGL | 43" | 22" | 27" 1/2 | 1.23 |
| DA5-D180 | 43" | 22" | 55" | 1.53 |
| DA5-WM | 45" | 22" | 26" 1/2 | 1.43 |

Example: (DA5-SGL-3-BLK)

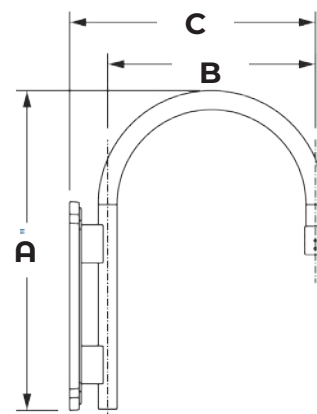
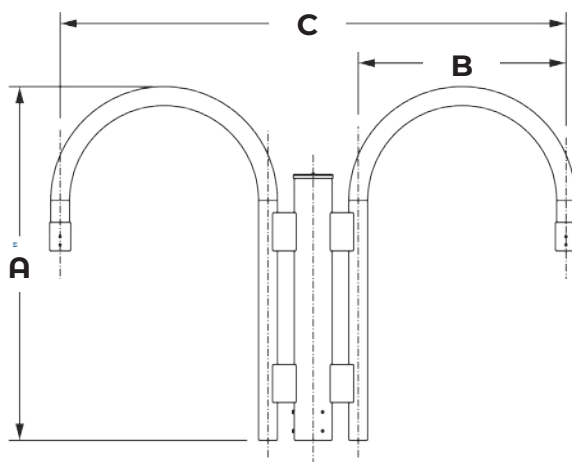
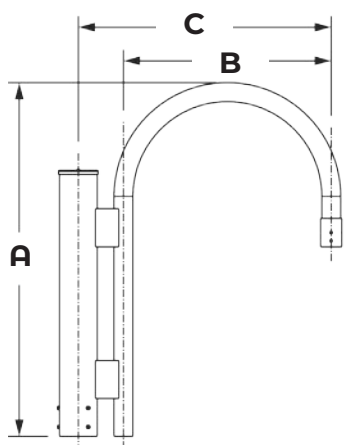
| DA5 | | | |
|----------------------------------|---------------------------|--|-----------------------|
| Cat # | Mounting | Diameter (Pole or Tenon) | Color |
| Decorative Arm 5 (DA5) | Single (SGL) | 3" 1/2 OD (312) 4" OD (4) | Black (BLK) |
| | Double 180° (D180) | | White (WH) |
| | Wall Mount (WM) | | Bronze (BRZ) |
| | | | Silver (SIL) |
| | | | Graphite (GPH) |
| | | | Custom (CST) |

Decorative Arm 6 is Constructed of Extruded Aluminum Tubing. Mount over Round Poles or Tenons of 3", 3-1/2", 4", 4-1/2", or 5" OD, **DA6** and is secured with 3/8" Stainless Steel Set Screws. Contact us for custom configuration or others mounting. All Decorative Arms are Proudly Designed, Fabricated and Assembled in the USA.

DA6-SGL

DA6-D180

DA6-wm



| Dimensions | | | | EPA |
|------------|---------|-----|---------|-----|
| Cat# | A | B | C | EPA |
| DA6-SGL | 37" 3/8 | 22" | 26" 3/4 | 1.9 |
| DA6-D180 | 37" 3/8 | 22" | 53" 1/2 | 3.1 |
| DA6-WM | 33" 3/4 | 22" | 26" | 1.5 |

Example: (DA6-SGL-3-BLK)

| DA-6 | | | |
|----------------------------------|---------------------------|-----------------------------|-----------------------|
| Cat # | Mounting | Diameter (Pole or Tenon) | Color |
| Decorative Arm 6 (DA6) | Single (SGL) | 3" OD (3) | Black (BLK) |
| | Double 180° (D180) | 3" 1/2 OD (312) | White (WH) |
| | Wall Mount (WM) | 4" OD (4) | Bronze (BRZ) |
| | | 4" 1/2 OD (412) | Silver (SIL) |
| | | 5"OD (5) | Graphite (GPH) |
| | | | Custom (CST) |

Decorative Arm 7 is Constructed of Extruded Aluminum Tubing. Mount over Round Poles or Tenons of 3", 3-1/2", 4", 4-1/2", or 5" OD, **DA7** and is secured with 3/8" Stainless Steel Set Screws. Contact us for custom configuration or others mounting. All Decorative Arms are Proudly Designed, Fabricated and Assembled in the USA.

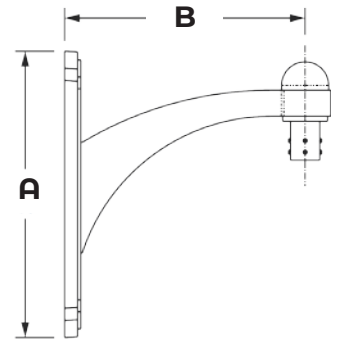
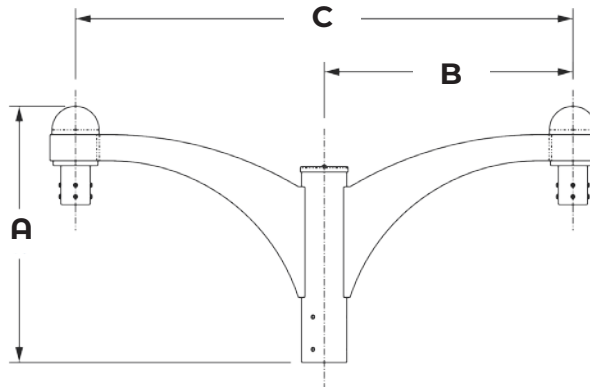
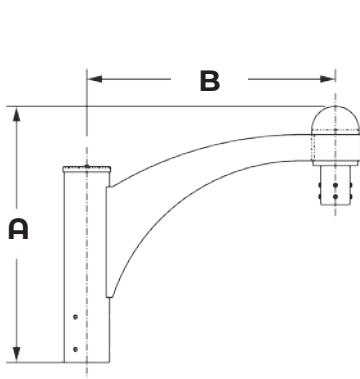
DA7-SGL



DA7-D180



DA7-wm



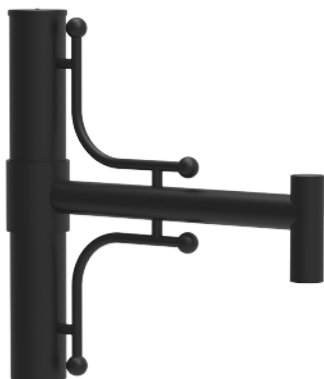
| Dimensions | | | | EPA |
|------------|---------|---------|---------|------|
| Cat# | A | B | C | EPA |
| DA7-SGL | 19" 3/4 | 19" 1/4 | - | .9 |
| DA7-D180 | 19" 3/4 | 19" 3/4 | 38" 3/8 | 1.43 |
| DA7-WM | 18" 1/2 | 22" | - | .71 |

Example: (DA7-SGL-3-BLK)

| DA7 | | | |
|----------------------------------|---------------------------|-----------------------------|-----------------------|
| Cat # | Mounting | Diameter (Pole or Tenon) | Color |
| Decorative Arm 7 (DA7) | Single (SGL) | 3" OD (3) | Black (BLK) |
| | Double 180° (D180) | 3" 1/2 OD (312) | White (WH) |
| | Wall Mount (WM) | 4" OD (4) | Bronze (BRZ) |
| | | 4" 1/2 OD (412) | Silver (SIL) |
| | | 5" OD (5) | Graphite (GPH) |
| | | | Custom (CST) |

Decorative Arm 8 is Constructed of Extruded Aluminum Tubing. Mount over Round Poles or Tenons of 3", 3-1/2", 4", 4-1/2", or 5" OD, **DA8** and is secured with 3/8" Stainless Steel Set Screws. Contact us for custom configuration or others mounting. All Decorative Arms are Proudly Designed, Fabricated and Assembled in the USA.

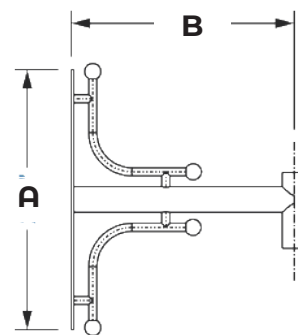
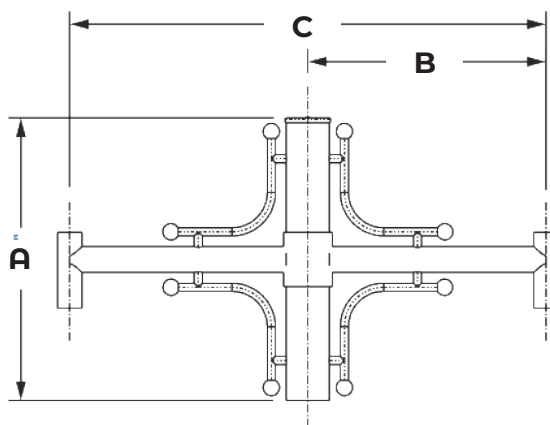
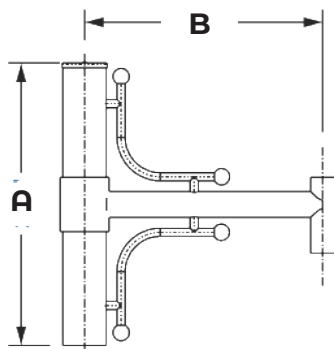
DA8-SGL



DA8-D180



DA8-wm



| Dimensions | | | | EPA |
|------------|-----|---------|-----|------|
| Cat# | A | B | C | EPA |
| DA8-SGL | 26" | 22" | - | 1.39 |
| DA8-D180 | 26" | 22" | 44" | 2.03 |
| DA8-WM | 24" | 20" 5/8 | - | .70 |

Example: (DA8-SGL-3-BLK)

| DA8 | | | |
|----------------------------------|---------------------------|-----------------------------|-----------------------|
| Cat # | Mounting | Diameter (Pole or Tenon) | Color |
| Decorative Arm 8 (DA8) | Single (SGL) | 3" OD (3) | Black (BLK) |
| | Double 180° (D180) | 3 1/2" OD (312) | White (WH) |
| | | 4" OD (4) | Bronze (BRZ) |
| | Wall Mount (WM) | 4 1/2" OD (412) | Silver (SIL) |
| | | 5" OD (5) | Graphite (GPH) |
| | | | Custom (CST) |

Decorative Arm 9 is Constructed of Extruded Aluminum Tubing. Mount over Round Poles or Tenons of 3", 3-1/2", 4", 4-1/2", or 5" OD, **DA9** and is secured with 3/8" Stainless Steel Set Screws. Contact us for custom configuration or others mounting. All Decorative Arms are Proudly Designed, Fabricated and Assembled in the USA.

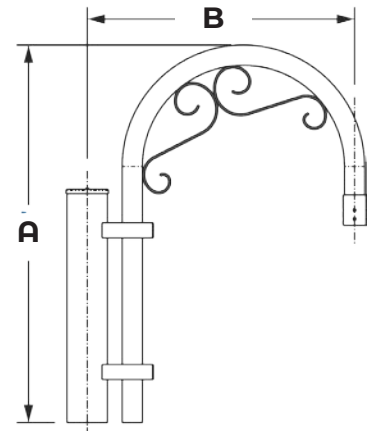
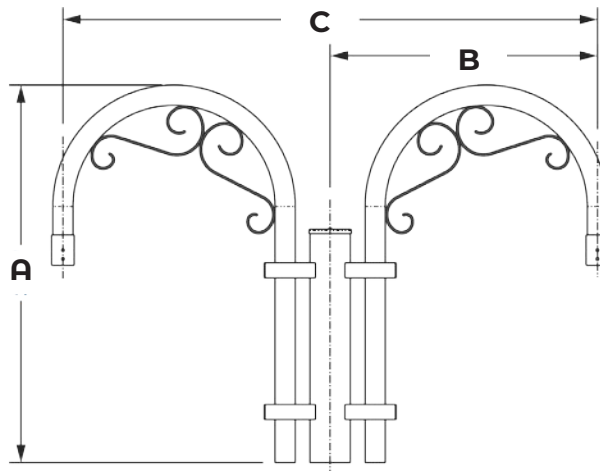
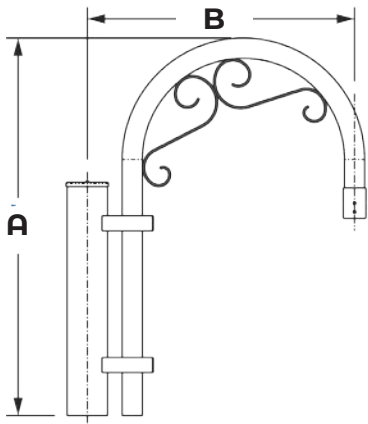
DA9-SGL



DA9-D180



DA9-WM



| Dimensions | | | | |
|------------|---------|---------|-----|-----|
| Cat# | A | B | C | EPA |
| DA9-SGL | 37" 3/8 | 26" 1/2 | - | 1.9 |
| DA9-D180 | 37" 3/8 | 26" 1/2 | 53" | 3.1 |
| DA9-WM | 34" 7/8 | 25" 1/4 | - | 1.5 |

Example: (DA9-SGL-3-BLK)

| DA9 | | | |
|----------------------------------|---------------------------|-----------------------------|-----------------------|
| Cat # | Mounting | Diameter (Pole or Tenon) | Color |
| Decorative Arm 9 (DA9) | Single (SGL) | 3" OD (3) | Black (BLK) |
| | Double 180° (D180) | 3" 1/2 OD (312) | White (WH) |
| | Wall Mount (WM) | 4" OD (4) | Bronze (BRZ) |
| | | 4" 1/2 OD (412) | Silver (SIL) |
| | | 5" OD (5) | Graphite (GPH) |
| | | | Custom (CST) |

Decorative Arm 10 is Constructed of Extruded Aluminum Tubing. Mount over Round Poles or Tenons of 3", 3-1/2", 4", 4-1/2", or 5" OD, **DA10** and is secured with 3/8" Stainless Steel Set Screws. Contact us for custom configuration or others mounting. All Decorative Arms are Proudly Designed, Fabricated and Assembled in the USA.

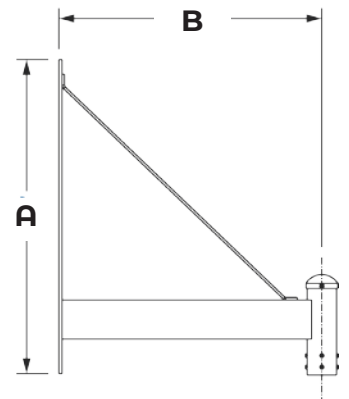
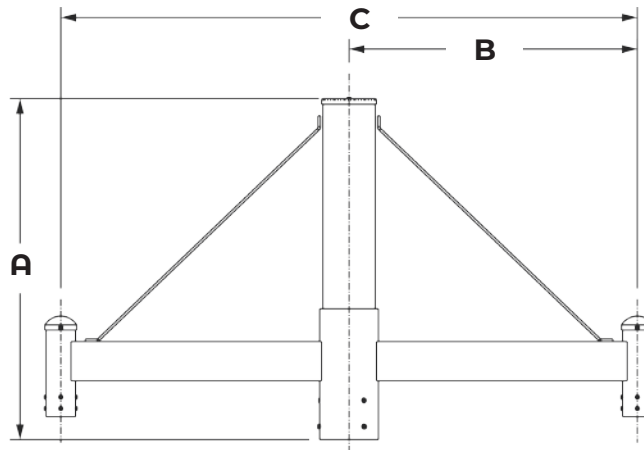
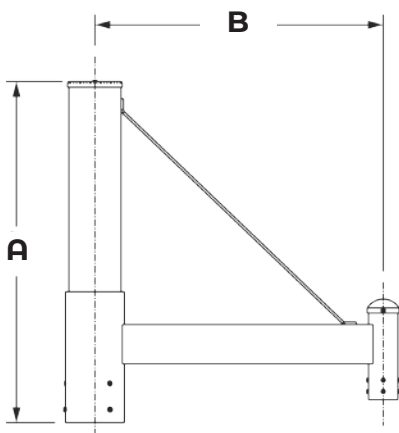
DA10-SGL



DA10-D180



DA10-WM



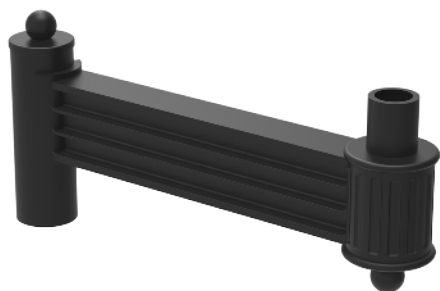
| Dimensions | | | | |
|------------|-----|-----|-----|------|
| Cat# | A | B | C | EPA |
| DA10-SGL | 26" | 22" | - | 1.27 |
| DA10-D180 | 26" | 22" | 44" | 1.82 |
| DA10-WM | 26" | 22" | - | .7 |

Example: (DA10-SGL-3-BLK)

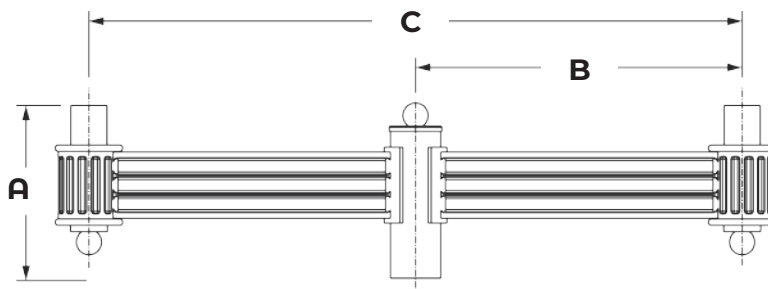
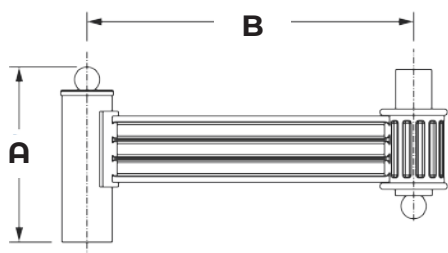
| DA10 | | | |
|------------------------------------|---------------------------|-----------------------------|-----------------------|
| Cat # | Mounting | Diameter (Pole or Tenon) | Color |
| Decorative Arm 10 (DA10) | Single (SGL) | 3" OD (3) | Black (BLK) |
| | Double 180° (D180) | 3" 1/2 OD (312) | White (WH) |
| | Wall Mount (WM) | 4" OD (4) | Bronze (BRZ) |
| | | 4" 1/2 OD (412) | Silver (SIL) |
| | | 5"OD (5) | Graphite (GPH) |
| | | | Custom (CST) |

CLP-X155 is Constructed of Extruded Aluminum Tubing. Mount over Round Poles or Tenons of 3", 3-1/2" or 4" OD, CLP-X155 and is secured with 3/8" Stainless Steel Set Screws. Contact us for custom configuration or others mounting. All Decorative Arms are Proudly Designed, Fabricated and Assembled in the USA.

CLP-X155-SGL



CLP-X155-D180



| Dimensions | | | | EPA |
|---------------|-----|-----|-----|------|
| Cat# | A | B | C | EPA |
| CLP-X155-SGL | 14" | 26" | - | 1.45 |
| CLP-X155-D180 | 14" | 26" | 52" | 2.55 |

Example: (CLP-X155-SGL-3-BLK)

| CLP-X155 | | | |
|-------------------------------|--|--|---|
| Cat # | Mounting | Diameter (Pole or Tenon) | Color |
| CLP-X155 (CLP-X155) | Single (SGL) Double 180° (D180) Wall Mount (WM) | 3" OD (3) 3" 1/2 OD (312) 4" OD (4) | Black (BLK) White (WH) Bronze (BRZ) Silver (SIL) Graphite (GPH) Custom (CST) |

DA-M156 is Constructed of Extruded Aluminum Tubing and Cast Aluminum Arm (356 Alloy) . Arm mount over Round Poles or Tenons of 3", 3-1/2", 4", 4-1/2", or 5" OD, and is Secured with 3/8" Stainless Steel Set Screws. Contact us for custom configuration or others mounting.

All Decorative Arms are Proudly Designed, Fabricated and Assembled in the USA.

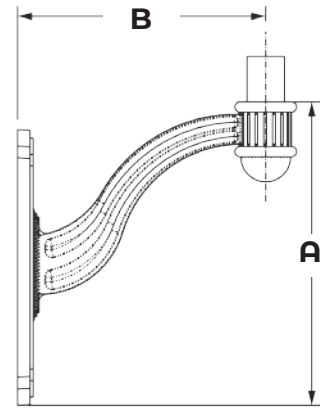
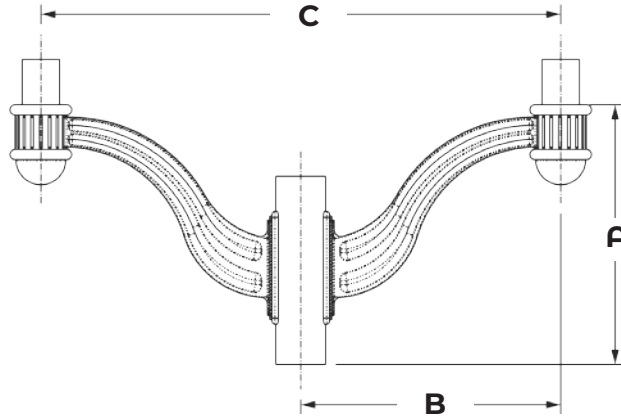
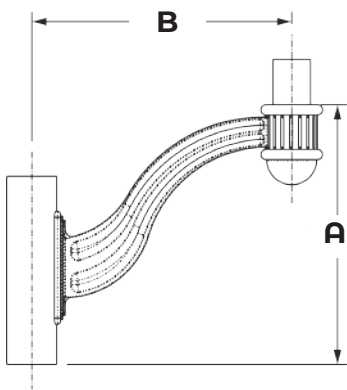
DA-M156-SGL



DA-M156-D180



DA-M156-WM



| Cat# | Dimensions | | | EPA |
|--------------|------------|---------|---------|------|
| | A | B | C | EPA |
| DA-M156-SGL | 20" 3/4 | 20" 7/8 | - | 1.18 |
| DA-M156-D180 | 20" 3/4 | 20" 7/8 | 41" 5/8 | 1.36 |
| DA-M156-WM | 24" 1/4 | 19" 7/8 | - | 1.25 |

Example: (DA-M156-SGL-3-BLK)

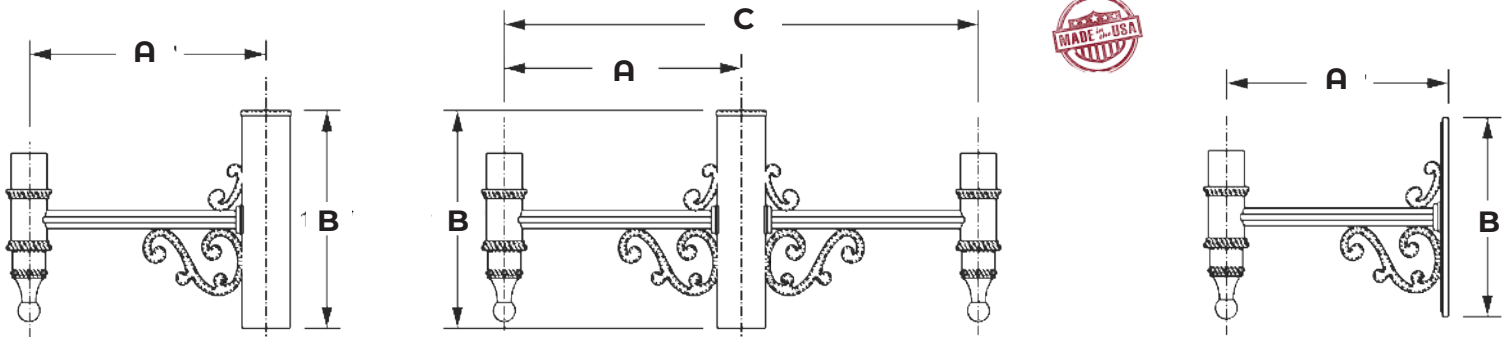
| DA-M156 | | | |
|---|---------------------------|-----------------------------|-----------------------|
| Cat # | Mounting | Diameter (Pole or Tenon) | Color |
| Decorative Arm M156 (DA-M156) | Single (SGL) | 3" OD (3) | Black (BLK) |
| | Double 180° (D180) | 3" 1/2 OD (312) | White (WH) |
| | Wall Mount (WM) | 4" OD (4) | Bronze (BRZ) |
| | | 4" 1/2 OD (412) | Silver (SIL) |
| | | 5" OD (5) | Graphite (GPH) |
| | | | Custom (CST) |

Decorative Arm X is Constructed of Extruded Aluminum Tubing. Mount over Round Poles or Tenons of 3", 3-1/2", 4", 4-1/2", or 5" OD, **DAX** and is secured with 3/8" Stainless Steel Set Screws. Contact us for custom configuration or others mounting. All Decorative Arms are Proudly Designed, Fabricated and Assembled in the USA.

CLP-X11-SGL

CLP-X11-D180

CLP-X11-WM



| Dimensions (Average) | | | | | EPA |
|----------------------|------|--------|-----|-----|------|
| Cat# | Size | A | B | C | EPA |
| CLP-X11-SGL | SM | 8" 3/4 | 18" | - | .7 |
| | MED | 11" | 18" | - | .8 |
| | LG | 14" | 18" | - | .9 |
| | XLG | 20" | 18" | - | 1.07 |
| CLP-X11-D180 | SM | 8" 3/4 | 18" | 18" | 1.3 |
| | MED | 11" | 18" | 22" | 1.4 |
| | LG | 14" | 18" | 28" | 1.5 |
| | XLG | 20" | 18" | 40" | 1.64 |

| Dimensions (Average) | | | | | EPA |
|----------------------|------|--------|-----|-----|-----|
| Cat# | Size | A | B | EPA | |
| CLP-X11-WM | SM | 6" 3/4 | 9" | .3 | |
| | MED | 9" | 12" | .4 | |
| | LG | 12" | 16" | .5 | |
| | XLG | 18" | 22" | .64 | |

Example: (CLP-X11-SGL-3-BLK)

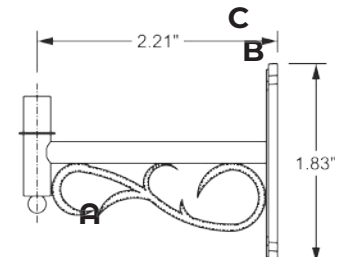
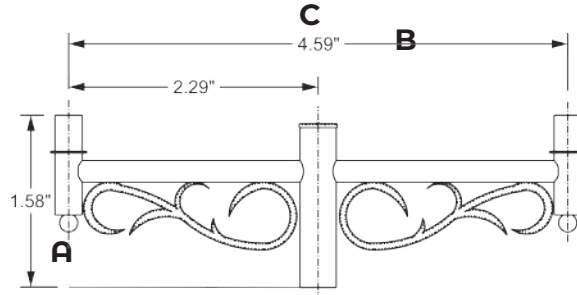
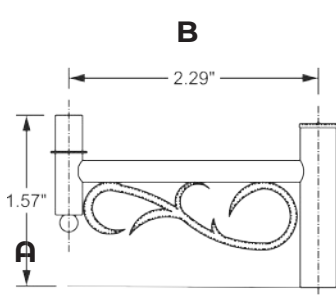
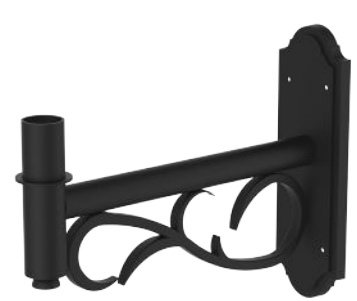
| CLP-X11 | | | |
|----------------------|---|--|---|
| Cat # | Mounting | Diameter (Pole or Tenon) | Color |
| CLP-X11 (CLP-X11) | Single (SGL) Double 180° (D180) Wall Mount (WM) | 3" OD (3) 3 1/2 OD (312) 4" OD (4) 4 1/2 OD (412) 5"OD (5) | Black (BLK) White (WH) Bronze (BRZ) Silver (SIL) Graphite (GPH) Custom (CST) |

CLP-246B is Constructed of Extruded Aluminum Tubing. Mount over Round Poles or Tenons of 3", 3-1/2", 4", 4-1/2", or 5" OD, CLP-246B is secured with 3/8" Stainless Steel Set Screws. Contact us for custom configuration or others mounting. All Decorative Arms are Proudly Designed, Fabricated and Assembled in the USA.

CLP-246B-SGL

CLP-246B-D180

CLP-246B-WM



| Dimensions | | | | EPA |
|---------------|-----|-----|-----|------|
| Cat# | A | B | C | EPA |
| CLP-246B-WM | 18" | 20" | - | 1.11 |
| CLP-246B-SGL | 20" | 18" | - | 1.43 |
| CLP-246B-D180 | 20" | 18" | 40" | 2.36 |

Example: (CLP-246B-SGL-3-BLK)

| CLP-246B | | | |
|----------|--------------------|-----------------------------|----------------|
| Cat # | Mounting | Diameter (Pole or Tenon) | Color |
| CLP-246B | Single (SGL) | 3" OD (3) | Black (BLK) |
| | Double 180° (D180) | 3 1/2 OD (312) | White (WH) |
| | Wall Mount (WM) | 4" OD (4) | Bronze (BRZ) |
| | | 4 1/2 OD (412) | Silver (SIL) |
| | | 5" OD (5) | Graphite (GPH) |
| | | | Custom (CST) |