

# CLP-M56

Architectural LED Luminaire  
DESIGN-FUNCTION-QUALITY

Crystal Lighting Corp.





The **CLP-M56** differentiates from other LED Post top fixtures due to its creative shape and internal efficiency. CLP-M56 is essential for illuminating Residential Exteriors, Walkways, Perimeters, School Campuses, Commercial Spaces, Parking Lots, and Recreational Parks. This fixture has various light distribution options. -10 year/50,000hr limited warranty.

**Features**

- Energy Savings: Over 66% compared to HID light sources
- Improved lumen maintenance
- Utilizes highly efficient Phillips Lumiled LED's
- Operating temperatures: -30°C ~ 60°C
- Driver: Constant current, 120~277v, 50/60Hz, 480v (Optional)
- Suitable for wet locations
- 0-10 Dimming Driver, Occupancy Sensors, Photocell or Wireless Controls (Options)
- Operating Life: >200,000 hours

**Construction**

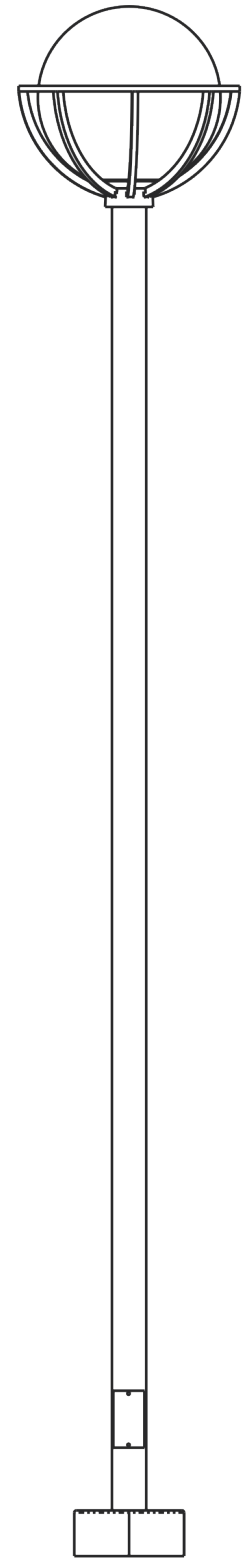
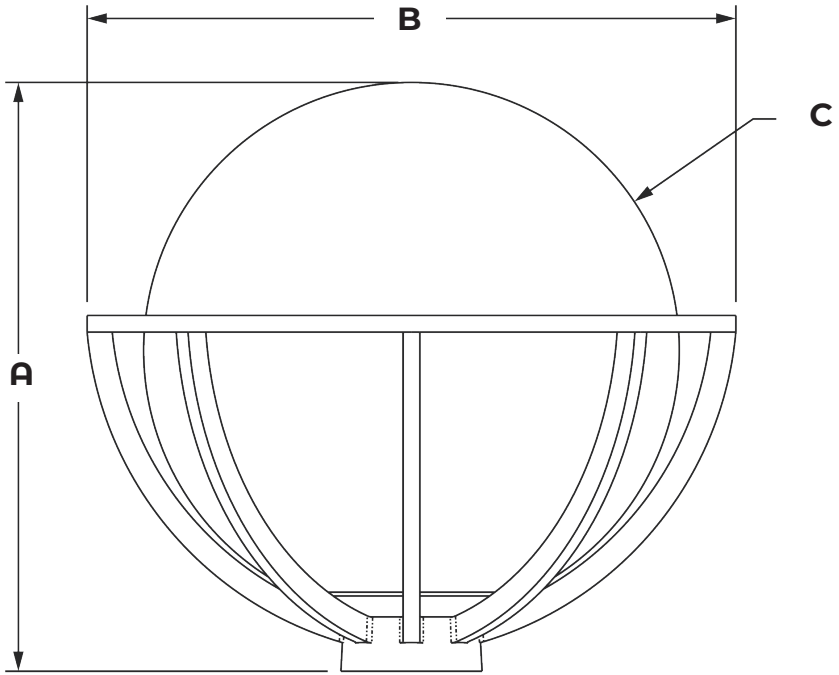
- Housing is heavy-duty die-cast aluminum material
- Powder coat finish (standard)
- Frosted, Clear or Opal Acrylic Lens (Options)
- Silicone gasket to prevent leakage and provide weather-tight protection.
- Mounting: Over 3" OD Pole or Tenon, Adapter is required for other Poles sizes or shapes.



Example: CLP-M56-35CLEd-SYM-30K-MV-BLK-3OD-OAL



Cat #	Wattage	Light Dist.	Color Temp.	Voltage	Finish	Mounting	Options
CLP-M56	20W <b>(20CLEd)</b>	Symmetric <b>(SYM)</b>	3000K <b>(30K)</b>	120-277V <b>(MV)</b>	Black <b>(BLK)</b>	3" OD <b>(3OD)</b>	Opal Acrylic Lens <b>(OAL)</b>
	40W <b>(40CLEd)</b>		4000K <b>(40K)</b>	480V <b>(HV)</b>	White <b>(WHT)</b>		Frosted Acrylic Lens <b>(FAL)</b>
	60W <b>(60CLEd)</b>		5000K <b>(50K)</b>	Silver <b>(SLR)</b>	Bronze <b>(BRZ)</b>		Clear Acrylic Lens <b>(CAL)</b>
					Graphite <b>(GPH)</b>		
					Custom <b>(CST)</b>		



CAT#	A	B	C	EPA
CLP-M56	17" 1/2	19" 3/8	16"OD	1.6

Cat #	Input Power	Lumen Output	LPW	Color Temp. (CCT)	CRI	Rated Life (L70)	Input Voltage	HID Equivalent
CLP-M56-20CLED	25W	3,120	156	5000K	70+	>200,000	120-277V	100W MH
CLP-M56-40CLED	45W	5,475	136	5000K	70+	>200,000	120-277V	150W MH
CLP-M56-60CLED	65W	8,784	146	5000K	70+	>200,000	120-277V	175W MH

Proudly Manufactured and Assembled in the USA