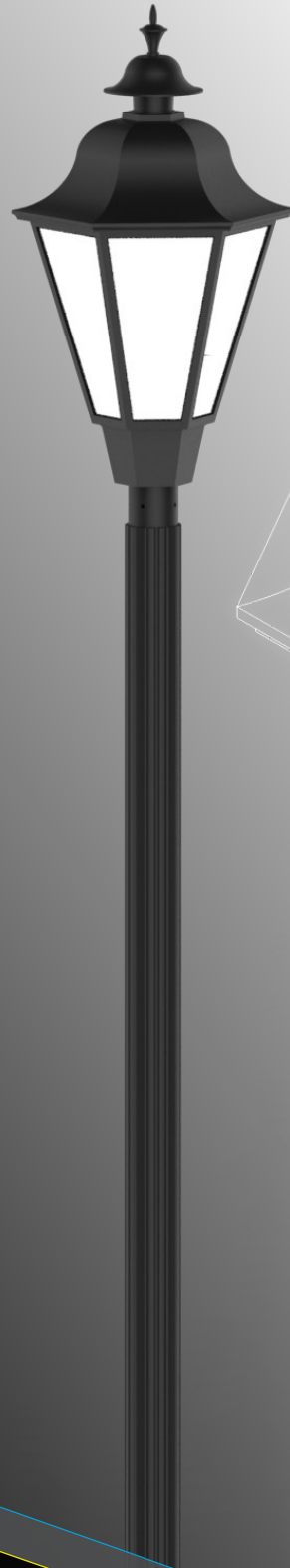


CLP-m67
Area LED Lighting
DESIGN-FUNCTION-QUALITY



Crystal Lighting Corp.





CLP-M67 Architectural LED Post Top Luminaire forms a sophisticated and traditional ambience. The **CLP-M67** is suitable for outdoor, wet locations. It is essential for illuminating residential exteriors, walkways, perimeters, school campuses, commercial spaces, parking lots, and recreational parks. This fixture is available in Type 3 and Type 5 light distribution options.

Warranty:

-10 year/100,000 hour Limited Warranty.

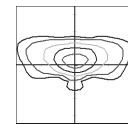
Features:

- Energy Savings: Over 66% compared to HID light sources.
- Improved Lumen Maintenance.
- Utilizes High efficient Lumiled LED's.
- Operating Temperatures: -30°C ~ 60°C.
- Driver: 120-277V (MV) or 480V (HV) (Optional).
- IP65 / IP67 Rated.
- 0-10 Dimming Driver, Occupancy Sensors, Photo Cell or Wireless Controls (Optional)

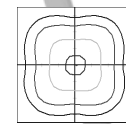
Construction:

- Corrosion-Resistant Cast Aluminum Housing
- 3 Mil Powder Coat Finish.
- Frosted Acrylic Lens (Standard)
- Silicone Gasket to provide Weather-Tight Protection (IP65).
- Mounting: Over of a 3" Pole or Tenon (Adapter is required for other mountings Options)

Optic Distribution.



Type 3 (T3)

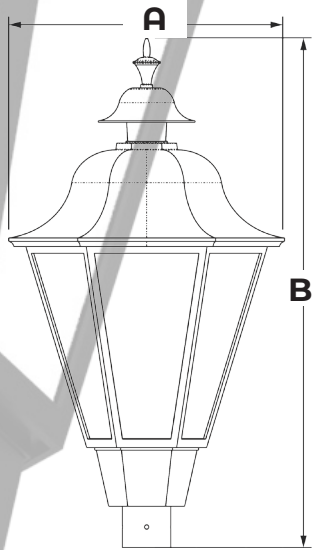
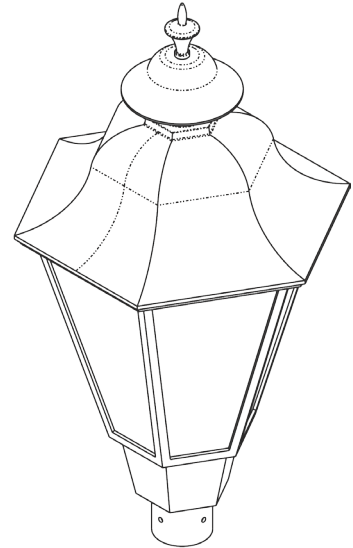
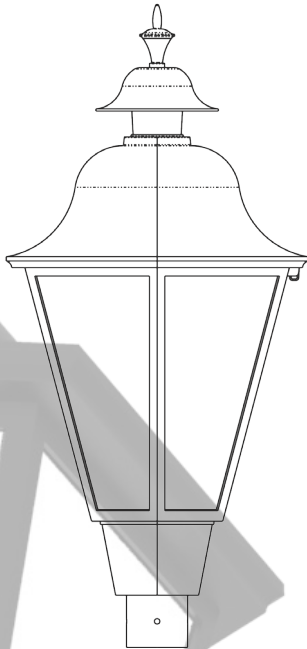


Type 5 (T5)

Example: CLP-M67-20CLEd-T3-40K-MV-BRZ-3OD-OCC



CLP-M67							
Cat #	Wattage	Light Dist.	Color Temp.	Voltage	Color	Mounting	Options
CLP-M67 (CLP-M67)	20W (20CLEd) 40W (40CLEd) 60W (60CLEd) 80W (80CLEd)	Type 3 (T3) Type 5 (T5)	3000K (30K) 4000K (40K) 5000K (50K)	120-277V (MV) 480V (HV)	Black (BLK) White (WH) Bronze (BRZ) Silver (SIL) Graphite (GPH) Marine Grade (MG)	Post Top 3" OD (3RD)	Button Photo Cell (PC) Wireless controls (WC) House Side Shield (HSS)



IO-Dimensions			
Cat#	A	B	EPA
CLP-M67	20"	37"	

Cat #	Input Power	Lumen Output	LPW	Color Temp. (CCT)	CRI	Rated Life (L70)	Input Voltage	HID Equivalent	HID Equivalent
CLP-M67-20CLED	25W	3,120	156	5000K	70+	>200,000	120-277V	50/60HZ	100W MH
CLP-M67-40CLED	45W	5,475	136	5000K	70+	>200,000	120-277V	50/60HZ	150W MH
CLP-M67-60CLED	65W	8,784	146	5000K	70+	>200,000	120-277V	50/60HZ	175W MH
CLP-M67-80CLED	85W	10,841	135	5000K	70+	>200,000	120-277V	50/60HZ	175W MH

Proudly Manufactured and Assembled in the USA