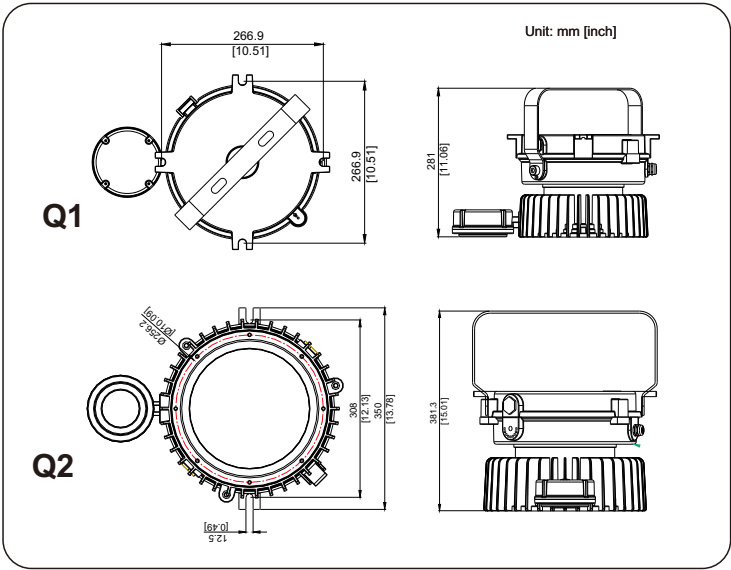




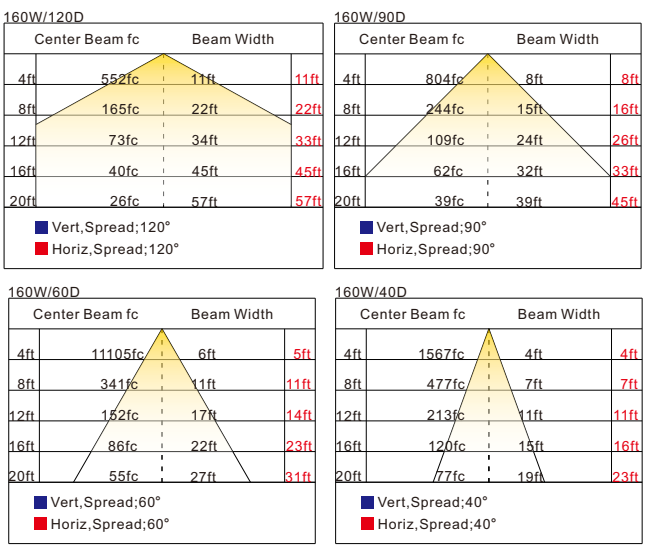
Basic Data	Product Number	Wattage	Color Temp.	Voltage	Lumens	Warranty	CRI
	EX-20W Q1YZDA	20	4000K-5700K	100-277/200-480V	2800	5 years	70
	EX-40W Q1YZDA	40	4000K-5700K	100-277/200-480V	5600	5 years	70
	EX-60W Q1YZDA	60	4000K-5700K	100-277/200-480V	8400	5 years	70
	EX-80W Q1YZDA	80	4000K-5700K	100-277/200-480V	11200	5 years	70
	EX-100W Q2YZDA	100	4000K-5700K	100-277/200-480V	14000	5 years	70
	EX-150W Q2YZDA	150	4000K-5700K	100-277/200-480V	21000	5 years	70
	EX-200W Q2YZDA	200	4000K-5700K	100-277/200-480V	28000	5 years	70

“Q1,Q2”=Product code, “Y”=D or N:Dimmable or non-dimmable “Z”= CCT, from 4000~5700K “D”=Beam angle, D40 for 40°,D60 for 60°,D90 for 90°, D120 for 120° A for glass info. blank for flat glass, C for spherical glass.

### Dimensions



### Lighting Distribution



### Approvals

Marking Atex	II2 G Ex db IIB T6 Gb II2 D Ex db IIIC T80 Db IP66
Marking IECEx	Ex db IIB T6 Gb Ex db IIIC T80 Db IP66
Marking UL844 (North American)	Class I, Division 2, Groups A, B, C, D Class II, Division 1, Groups E, F, G Class II, Division 2, Groups E, F, G Class III
Marine Marking	UL 1598A ABS and DNV Type Approved
Other Rating	IP 66 IK 10

### Installation

