



## PRODUCT – IR3 SERIES

UL 844-Class 1 Div 2 Groups A, B, C, D  
UL 1598A Outdoor Marine Type (Saltwater)  
Meets Coast Guard Specifications  
Enclosed and gasketed

[Request a quote](#)

### APPLICATIONS

Petrochemical Facilities  
Lubrication Pits  
Oil Drilling Rigs  
Crew Quarters

Solvent/Cleaning Areas  
Processing Plants

Water Treatment Areas  
Marine Loading Docks

## SPECIFICATIONS

### UL LISTING:

CLASS 1, DIVISION 2, GROUPS A, B, C & D  
UL 844 Hazardous Locations  
UL 924 Emergency Lighting  
UL 1598A Marine Outside Type

### Construction

Corrosion resistant, marine grade, copper free extruded aluminum

### Hardware

zinc plated latches

### Lens

acrylic and tempered glass

### Light source

17W, 35W, 40W, 54W, 60W, LED  
4000 LUMENS & 8000 LUMENS

### Power source

120-277v, 50/60 Hz (UNV)

### Ambient operating temperature

40°C maximum

### Mounting

versatile mounting arrangement, standard end mounting and angle mounting

### Weight

2 foot 28.0 lbs  
4 foot 30.0 lbs

### Warranty

1 year

## NOMENCLATURE

<b>IR3</b>	–	<b>4</b>	–	<b>2</b>	–	<b>80</b>	–
(1)		(2)		(3)		(4)	

### (1) Series

IR3

### (2) Length

2 – 2 ft Nominal Length  
4 – 4 ft Nominal Length

### (3) Number of Lamps

- 2 – two lamps
- 4 – four lamp BIAx

**(4) Ballast Type**

- 26 – 265mA T8
- 27 – 270mA Compact Fluorescent
- 43 – 430mA T12 RS
- 46 – 460mA T5HO
- 80 – 800mA RS HO
- LED – LED 4000 & 8000 Lumens

**(5) Voltage**

- 12 – 120v 60MHz
- 22 – 220v 50MHz
- 12/24 – VDV
- 27 – 277v 60MHz
- UNV – 120/277v 50/60MHz

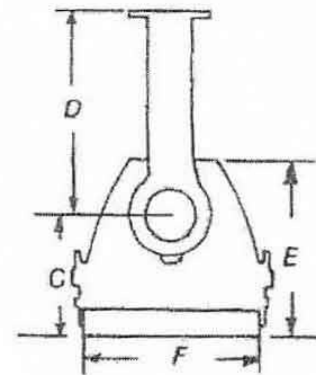
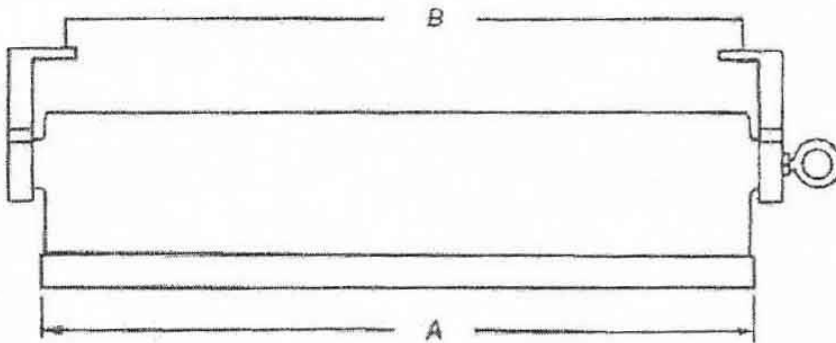
**(6) Mounting Style**

- O – End Mounting
- BMSW – Back Mounting
- P – Pendant Mount

**(7) Options**

- EM – Emergency Ballast

**LAMPS INCLUDED IN ALL FIXTURES**



Maximum Overall  
Dimensions 4 Ft.

Dim. A - 49 <sup>3</sup>/<sub>4</sub>"

Dim. B - 47"

Dim. C - 4 <sup>3</sup>/<sub>4</sub>"

Dim. D - 7"

Dim. E - 6 <sup>1</sup>/<sub>8</sub>"

Dim. F - 6 <sup>1</sup>/<sub>8</sub>"

(Shipping Weight: 33 lbs)

Maximum Overall  
Dimensions 2 Ft.

Dim. A - 25 <sup>3</sup>/<sub>4</sub>"

Dim. B - 27 <sup>1</sup>/<sub>2</sub>"

Dim. C - 4 <sup>3</sup>/<sub>8</sub>"

Dim. E - 6 <sup>1</sup>/<sub>8</sub>"

Dim. F - 6 <sup>1</sup>/<sub>8</sub>"

## Mounting Brackets

Lamps and brackets are supplied with fixtures; optional brackets also available.

