



**HIGH TEMPERATURE
SOLUTION**

OHL **-SERIES**

LED HIGH BAY LIGHT

UP TO **540W REPLACEMENT**

● POWER: 100W, 150W

**EXPERTS WITH
PROFESSIONAL SOLUTION**



SPECIFICATIONS & FEATURE

oHL series is designed for Indoor and Industrial lighting , a superior high efficiency LED High Bay light, featuring a unique optical design that virtually eliminates glare with minimal impact on performance. As a lighting solution for gyms, industrial, churches and retails etc.

CONSTRUCTION

- Housing: Die cast aluminum.
- Light engine is thermally isolated from driver components.
- Aluminium body with epoxy paint.
- Installation: Fixture hook come as standard, pendant mount from 3/4" threaded conduit optional.
- Symmetrical for easy one-for-one replacement of existing high bays.
- Integrated motion sensor and wireless control optional.

OPTICAL / ELECTRICAL

- Precision engineered individual lenses made of toughened glass for maximum light intensity.
- Distribution: 110°.
- -40°C to 65°C (-40°F to 149°F) operating temp range.
- 100-277V operation 50/60HZ standard, 200-480V 50/60HZ optional.
- 1-10V dimming driver standard, DALI, ZIGBEE dimming optional.
- Lifetime: >90000 hours - L70, @25°C.

UNIFIED GLARE RATING

- Glare has always been a concern with LED products and it has got increasingly more attention with higher output fixtures. The standard low glare shield block lights outside of the main beam, so from other viewing angles the fixture virtually disappears. The low glare shields were also design to have minimum impact on the total light output.
- UGR rate <22

FINISH

- Rugged, weather-tight design and 3G Vibration ratings ensure durability even in harsh environments.
- IP66 Waterproof Rating

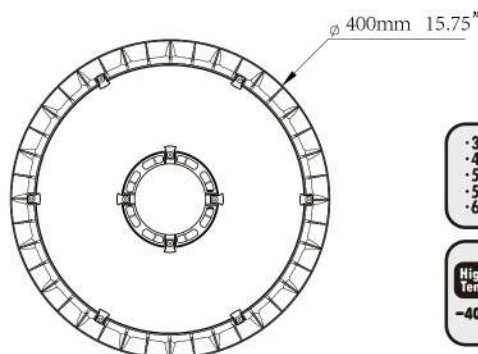
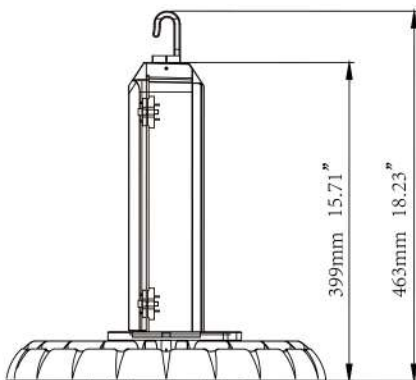
LED

- LPW (Lumens/watt): up to 150lm/w
- 3000K, 4000K, 5000K, 5700K, 6500K CCT
- Minimum CRI of 70 and 80 optional

up to 150lm/W



FIXTURE DIMENSIONS(MM)



3000K
4000K
5000K
5700K
6500K

CRI 70

CRI 80

High Working Temperature
-40°C~65°C

L70
90,000H

IP66

TECHNICAL SPECIFICATIONS @5000K

MODEL	WATTS	LED Chips	Efficacy	CRI	Replace MHL	NW	Fixture Dimensions
AOK-100WoHL	100W	Lumileds 3030	150lm/w	Ra>70 Ra>80	300W	5.8KG	φ400*463mm (φ15.75*18.23 inches)
AOK-150WoHL	150W	Lumileds 3030	150lm/w	Ra>70 Ra>80	540W	5.8KG	φ400*463mm (φ15.75*18.23 inches)

ORDERING INFORMATION

AOK	WATTS	VOLTAGE	LED CHIPS	TYPE OF SENSOR	CCT&CRI	DISTRIBUTION	MOUNT	OPTION	HOUSING
100WoHL 150WoHL	NV=100-277V HV=347/480V	L3 = LUMILEDS3030 L5 = LUMILEDS5050	00= Without Sensor SN= Motion Sensor	3080= 3000K 80CRI 4080= 4000K 80CRI 5080= 5000K 80CRI 5780= 5700K 80CRI	110D=110DEG	Hook Mount Pipe Mount	Chain Mount	BK=Black	

OUTLOOK



PHOTOMETRY

