

## ML50-M Solar LED Based Marine Navigation Light

ML50-M Can be used with wireless remote YSHD Handheld Controller The solar panel comes with ML50 -M provides power supply to the light, which makes ML50-M a self-contained and care-free light unit. Also, with the solar function, the light is easy to deploy to almost any condition and any emergency case. Robust body built and surface coating provides good protection against harsh environments.

ML50-M is equipped with an high-efficiency rechargeable battery is also easy to find almost anywhere. ML50-M is working under flashing mode, while ICAO requires that the low intensity light to be steady. But, anyway, ML50-M could be a alternative option for some special needs.

### Features

- Ultra-light LEDs, energy saving
- Self-contained without outside power supply
- Maximum visibility distance >5 Nautical miles
- Once fully charged, it can work for up to 200 hours
- Auto/Manual can be set by handheld.
- 256 kinds of flashing rate are available, comply with IALA
- 900MHZ wireless signal or GPS can be select, can reach 4KM distance
- Three different colors can be controlled by Handheld Controller.

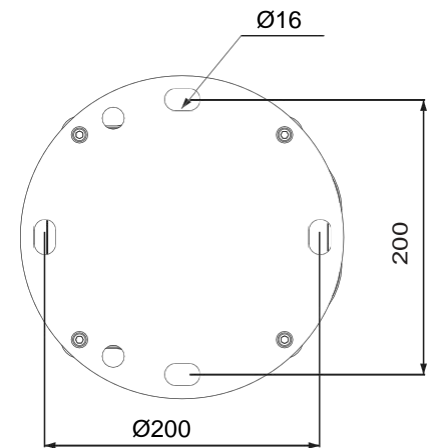
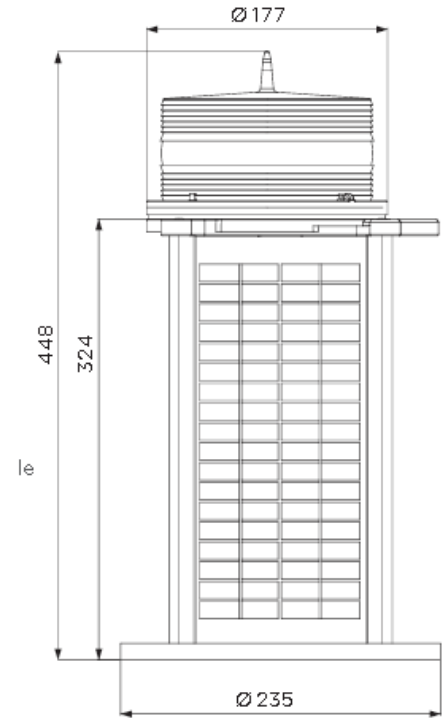
### Application

- Navigation aid
- Port, dock entrance & walkway
- Buoy marking
- Offshore gas & oil platform
- High-rise building marking
- Telecom tower marking
- Road obstruction marking



## Specifications

LIGHT OUT-PUT	
Intensity	50 Candela
Nominal Night Range	>5 Nautical miles
LED Color Available	Red, Yellow, Green (Mutiply colors)
Vertical Divergence	10 Degree
Horizontal Out-put	360 Degree
Illumination	Ultra-bright LEDs
LED Lifespan	100,000 Hours
OPERATION	
Autonomy	200 Hours
On & Off Level	70/100 Lux
Flash Pattern	complies to IALA Recommendations 256 available steady burning or Flash can adj
POWER SUPPLY	
Power Source	Solar module, mono-crystalline silicon
Solar Efficiency	13.5%
Max. Power Out-put	20 Watts
Battery Type	High-efficiency NiMH rechargeable battery
Battery Capacity	12V / 18 AH
Battery Replacement	Yes, replaceable
MECHANICAL STRUCTURE	
Lens	Polycarbonate, UV Stabilized
Body	Die-casting Aluminum
Water-proof	IP 68
Weight	7.5 KG
Temperature Range	-40C° ~ +55C°
Relative Humidity	100% with condensation
Dimension	448mm H, 235mm Diameter
Warranty	3 years for light



**Note:** when the light is in storage, please put it outside to charge the battery every 3 months

