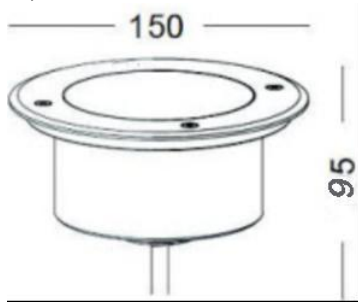


Introduction

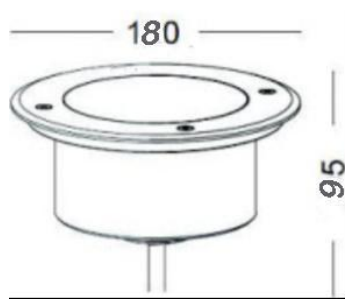
TangSong COB LED Inground Light is a power LED projection lighting fixture. It uses EPILEDs or EPISTAR COB LEDs chips as the light sources. Its construction uses Stainless Steel 304(TOP), Aluminum(Main body) and Tempered glass cover. The voltage is AC85-265V or AC100-277V. Our standard lens' angle is 15 degrees, 25 degrees, 30 degrees, 45 degrees, 60 degrees.

Dimensions

(unit: mm)



10W

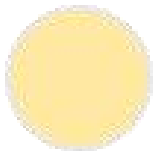


20W



30W

LED Color Source



Warm White

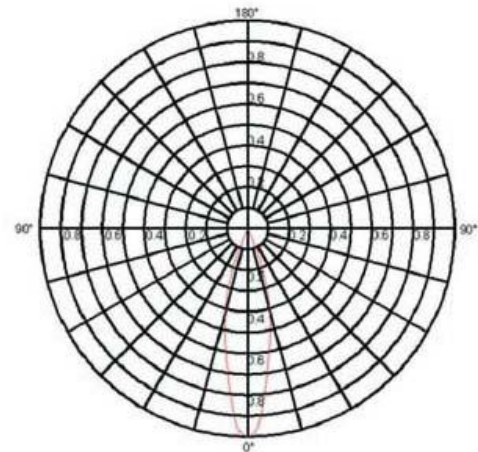


Natural White



Cool White

Lighting Parameter



Beam Angle: 30°

Length Model

Model No	LED Quantity	Voltage	LED Module	Beam Angle	Lumen Output(White)	Dimension(mm)	Power	Lens Angle	IP Rate
TSBL-C10	1PCS COB LED	85-265VAC 100-277VAC	EPILEDs	15\30\45\60	900lm	Ø150*H95	10Watts	15°/30° 45°/60°	IP67
TSBL-C20	1PCS COB LED		EPILEDs	15\30\45\60	1800lm	Ø180*H95	20Watts		
TSBL-C30	1PCS COB LED		EPILEDs	15\30\45\60	2700lm	Ø220*H95	30Watts		

Features

- Unique structure waterproof, high-grade and artistic, wide application
- IP67 waterproof(structure water-proof)
- Material: aluminum + stainless steel cover + tempered glass lens
- Led chip: 1pcs 10W/20W/30W COB
- Color available: 2700-3200K Warm white, 4000-4500K Natural white, 6000-6500K Cool white
- Constant driver to make sure LED light working stable, avoid any flashing and noisy
- Input Voltage:85-265vAC/100-277vAC or 12V AC/DC Frequency: 50/60HZ
- Beam angle: 15°/30°/45°/60° for options
- Protection: short cut; over voltage, over temperature; over current
- Life span: >50,000 hours

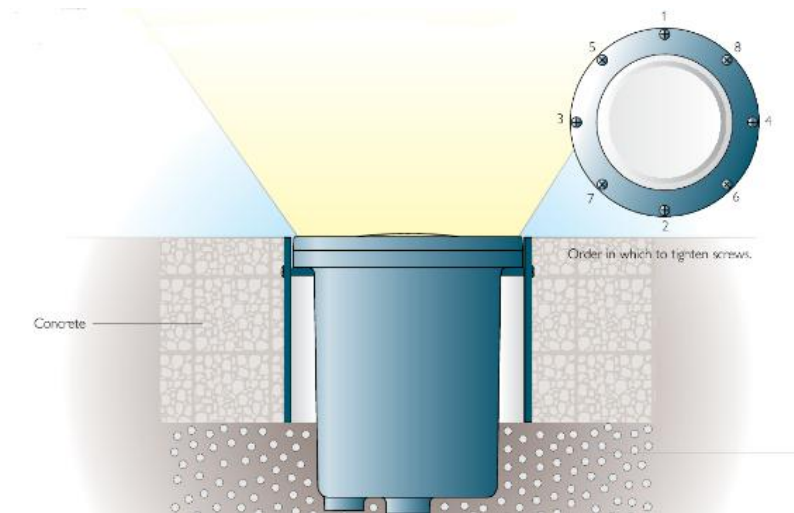
Installation

Installation of inground fixtures requires special considerations. Proper grading, drainage material and tightly securing the lens and gasket are procedures that are a key to successful inground installation. The following are basic steps in installing inground fixtures in either concrete(using the concrete pour accessory) or soil. For detailed instructions, refer to the descriptions as below.

CONCRETE INSTALLATION

Note: To ensure proper drainage, prepare gravel foundation. Make certain that the concrete level, when poured, will be flush with the top of the concrete pour accessory. To help decrease condensation, energize fixture for 20 minutes prior to installing and tightening main lens and retain ring.

- 1) Remove the trim ring and lens, and install specified lamp. Replace trim ring and lens.
- 2) Position the fixture housing into the concrete pour accessory, making sure that the underside of the housing flange rests on top of the set screws. Tighten set screws on side of accessory to lock the housing into place(do not over tighten). Secure assembly to final location with re-bar or other anchoring device.
- 3) Excavate soil where the fixture is to be installed.
- 4) Place assembly into excavated opening. Be sure there is a minimum of 3" drainage material(sand or gravel only) covering the bottom of the hole.
- 5) Fill area with a minimum 3" of drainage material. Be sure not to fill area flush with top of frame and assembly. This is to be filled with concrete.
- 6) Connect low voltage fixture to low voltage cable running to remote transformer, using silicone wire nuts or quick connector(supplied).
- 7) Pour concrete. Remember that fixture position cannot be altered after concrete sets.
- 8) Turn power on the transformer.



Safety & Warning

- Install in accordance with the National Electric Code, and all local regulations.
- This product is intended to be installed and serviced by a qualified licensed electrician.
- Only use with compatible LED fixtures, controls and dimmer switches. Only use copper wiring.
- Proper heat dissipation will prolong the working lifespan of this product. Install in well-ventilated area free from explosive gases and vapors.
- Ensure appropriate type and size wire is installed between driver, fixture, and any controls in between. When choosing wire, factor in voltage drop, amperage rating, and type (in-wall rated, wet location rated, etc). Improper wire type could overheat wires, and cause a fire.
- Do not install if product has any visible damage.
- Do not modify or disassemble this product beyond instructions or the warranty will be void.
- Use only constant voltage fixture LED power supply.

Application

- Garden
- Courtyard
- Club & Stage
- Courtyard

