

L-810 ZL Series Red LED Low Intensity Obstruction Light



The L-810 ZL series obstruction light is designed to used increase conspicuity of structures or obstructions during nighttime. It's an omnidirectional red light, robust casting aluminum housing can provide years of free maintenance. Available in single type and double type. Widely used in any obstruction like high-rise buildings, chimney, telecom towers, transimission power towers, airports,wind turbines and crane machines.

Manufacture Compliance:

- ICAO Annex 14, Volume I, 6th Edition, July, 2013
- ICAO Aerodromes Design Manual, Chapter 18
- FAA AC150/5345-43G
- FAA Engineering Brief 67 Specifications
- CASA 139
- UK CAP168 Low Intensity Obstacle(Group C)
- NFL 197-107/03, Neues feuer W-ROT

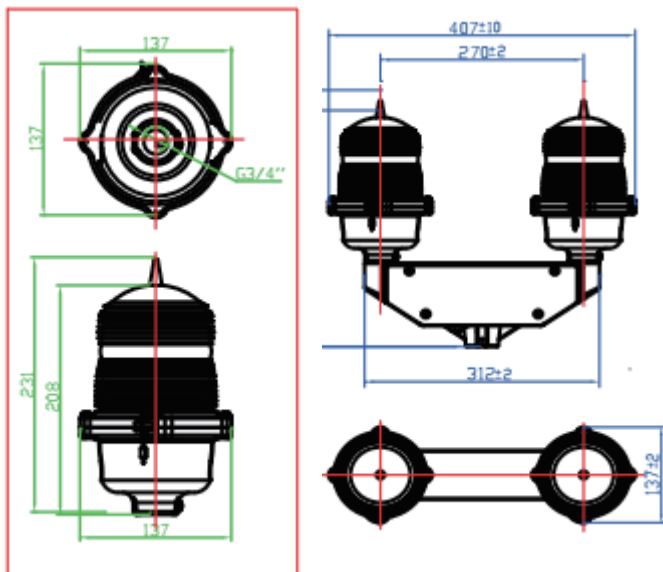
Applications:

- Telecomm tower
- Radio tower
- Wind turbine
- Smoke stacks & chimney
- Tall buildings
- Cranes
- Power transmission lines

Advantages:

- Available in single type or double type.
- Input both available from AC85V to AC265V & DC24V to DC60V.
- Double light support bracket made of casting aluminum.
- Photocell built-in, no additional cost to purchase.
- Internal single chip computer control smart and reliable.
- Surge protection device integrated in the light.
- Resistant to shock and vibration.
- No RF Radiations, EMC Compliant

General Dimensions:



Physical Features:

- Housing: casting aluminum&PC lens cover.
- Finish: UV stabilized spraying plastic finish.
- IP rating: IP65.
- Single type weight: 0.9KG, double type weight 3.5KG.
- Operating: -40°C to 60 °C.
- Wind speed: 80m/s.

Electrical Features:

- Operation voltage:AC85V to AC265V,50Hz/60Hz.
- Lamp unit each:100,000 hours LED.
- Consumption:next page.
- FPM:Steady burning type. Flash available.
- Color:Red.
- Output:360° horizontal; >10° vertical; intensity >32cd.
- Photocell built in:50Lux

Other Options:

- Alarm relay contacts(Built in)
- Installation accessories.

L-810 ZL Series Red LED Low Intensity Obstruction Light



ZL Series Models:

Model ZL10:

Intensity	10cd, steady
Compliant	ICAO: low intensity type A
	FAA: N/A

Model ZL32:

Intensity	32.5cd, steady
Compliant	ICAO: low intensity type B
	FAA: L810

Model ZL50&ZL100:

Intensity	50cd, 100cd steady
Compliant	ICAO: low intensity type A/B
	FAA: L810
	CASA 139

Model ZL200:

Intensity	200cd steady
Compliant	ICAO: low intensity type A/B
	UK CAP168 Low Intensity Obstacle(Group C)
	NFL 197-107/03, Neues feuer W-ROT

* Some local aviation regulations such as Germany, Australia.

Power Consumptions:

Models	ZL10	ZL32	ZL50	ZL100	ZL200
Consumption	2watts	3watts	5watts	6watts	10watts

* Power consumptions at light steady/fixed working mode.

Ordering Note:

Type	Lamp	Work	Photocell	Pattern(Double Type)	Interior Structure
ZL**	Single Double	Steady Flash ¹	Built in	ST ² SS ³	Interchangeable ⁴ Fixed ⁵

¹ Working mode: standard flash(40FPM) or steady can be adjustable by user, optional other flash frequency (20/30/60/Others FPM) adjustable function please required by order.

² Service+standby, 1 lamp failures,the other 1 lamp replace to work.

³ Service+service, both lamps service,alternate flashing.

⁴ Interchangeable uses LED special customized E-27 lamp,fit with ceramic lamp holder,contact us for details.

⁵ Fixed structure type uses LED special customized lamp,contact us for details.