

Solar Powered SL10 LED Aviation/Navigation Warning Light



Advantages:

- Free maintenance.
- ON/OFF button.
- Very portable, easy transportation and installations.
- Autonomy more than 7 days without sunshine.
- LED low power consumption only 1.5Watts average.

Electrical Features:

- Lamp:100,000 hours high quality.
- FPM:customized before order.
- Color:Red,blue,green,yellow,white.
- Autonomy: Flash 5~7 days; Fixed 3~5 days based sunshine.
- Light intensity: >10cd nighttime.
- Output:360° horizontal; >10° vertical.
- Photo sensor:100Lux

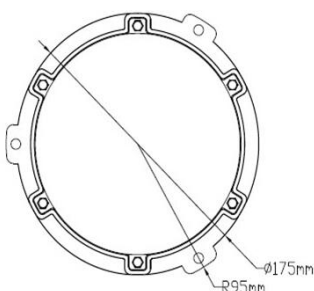
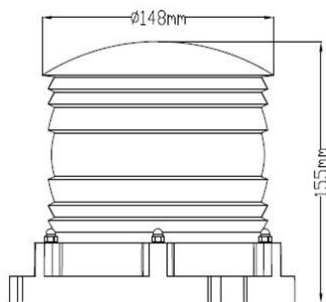
Solar Features:

- Battery: 3.2V/1800MAH quality lithium-ion battery.
- Panels: 1×monocrystalline silicon panels(>18% efficiency) on top.

Physical Features:

- Housing: polycarbonate.
- Overall size: $\phi 17.5\text{cm} \times 15.5\text{cm} (\phi 6.8'' \times 6.1'')$.
- Mounting size: 3×6mm Holes.
- IP rating: IP68.
- Weight: 1KG.
- Operating: -40°C to 75 °C.
- Wind speed: 80m/s.

Mounting:



Obstruction&Traffic:

- Telecom
- Cranes
- Buildings
- Barricade
- Other obstacles

Airfield:

- Airstrip
- Taxiway edge
- Heliport edge

Marine:

- Port
- Vessel
- Yacht
- Buoy

Order Code:

Type	Work	Flashes	Output	Mounting Option
SL10	S: Steady	15	Red	00 ¹
	F: Flash	30	Green	Magnetic switch ²
		60	Blue	
		80	White	
		120	Yellow	
			135° beam ³	

¹ The light is standard 3×6mm holes installations.

² The light shall be switched on by magnetic switch.

³ 135° beam: the light can be customized to produce a 135° output beam of single color.

Package:

- 60×40×20CM, 6PCS/CTN.
- 6.4KG/CTN Gross Weight.

