

CATALOG		COMMENTS
PROJECT		
PREPARED BY		
DATE		



SPOTLINE SOLAR-POWERED LED FLAG LIGHT

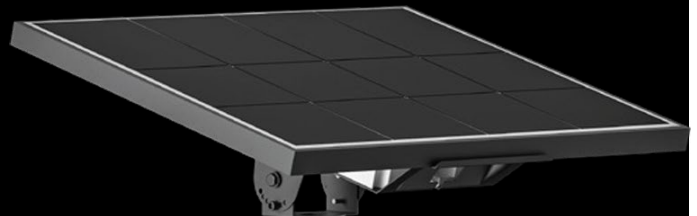
15W | 30W

[DUSK TO DAWN ILLUMINATION]

[EASY AND FAST INSTALLATION]

[BEAM ANGLE AVAILABLE FROM 25° TO 65°]

[UP TO 38 HOURS (3 NIGHTS) ON FULL CHARGE]



APPLICATIONS

SPOTLINE Solar-Powered LED Flag Light is a solar-powered system designed for signs, flags, windsocks, landscape accents, and any other architectural features. It is an efficient, budget-friendly fixture with multiple distribution patterns and provides an excellent light output.

DESCRIPTION

SPOTLINE Solar-Powered LED Flag Light system comes complete with a self-contained solar power assembly sized to run the specified solar light fixture. There is no need for an extra power source, which eliminates the need for trenching, wiring, and electricity costs. With a two piece design solution for the panel and lighting engine, these fixtures can easily provide up to 3+ days of operation on a full charge.

Each fixture provides the needed lighting levels and distribution pattern to give the perfect lighting solution to meet the application's requirements.





SPOTLINE SOLAR-POWERED LED FLAG LIGHT 15W | 30W

FEATURES



Low Maintenance & Smart Design

- Easy installation and operation
- Die cast A380 aluminum fixture housing is rust-free
- Dusk to dawn illumination.
- Provides different lighting levels and distribution patterns. Beam angle is available from 25° to 65°.



Generates More Solar Energy

- Two-piece design for the solar panel and Light allows maximum solar collection.
- Cold-weather battery withstands frigid climates up to -30°C/-22°F



High Brightness, Smart Power Consumption

- Smart MPPT Controller
- Up to 38 Hours (3 nights) on full charge

MPPT CONTROLLER

- Maximum Power Point Tracking (MPPT) is a technique for tracking and regulating the output energy from the solar panel to the battery.
- Measures the solar panel output voltage and current in real-time and continuously tracks the maximum power.
- Regulates the output voltage so that the system can always charge the battery with the maximum power.
- Significantly improves the solar system energy utilization rate, with a conversion efficiency up to 97%.
- Increases the solar system's charging efficiency by at least 20% compared to Pulse Width Modulation (PWM)

* The temperature can impact the battery's charging and normal operation.

* The solar charge time data is base on 77 degree F ambient temperature with the panel pointed directly at the solar radiatio. The standard radiation value is 1000W/m².

CATALOG		COMMENTS
PROJECT		
PREPARED BY		
DATE		

PRODUCT SPECIFICATIONS

LIGHT FIXTURES

LED Nominal Power	2 X 15W 1 X 30W
Lumen	2 X 1,575LM 1 X 3,150LM
Color Temperature	3000K 4000K 5000K
Beam Angle	25° 30° 35° 40° 45° 50° 55° 60° 65°
Material	Die-Cast Aluminum
Cable Length	30 ft

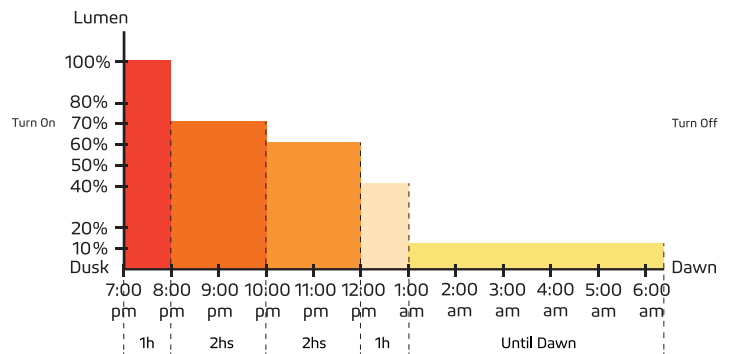
BATTERY

Operating Temperature	-30°C/-22°F to 104°F
Changing Temperature	-30°C/-22°F to 104°F
Capacity	27AH 345.6WH
Operating	12.8V

SOLAR PANEL

Model	Mono-Crystalline 18V 64W
Size	31.0" X 21.0"
EPA@30°	4.9

WORKING MODE (Dusk to Dawn)



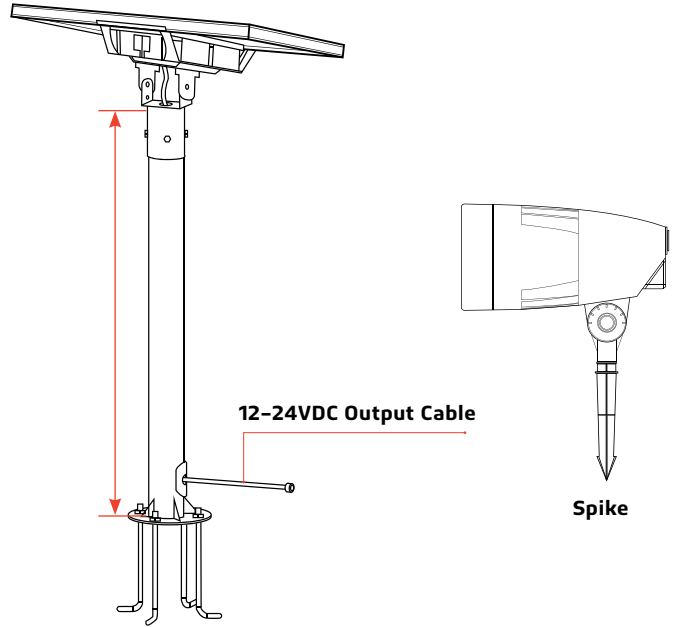
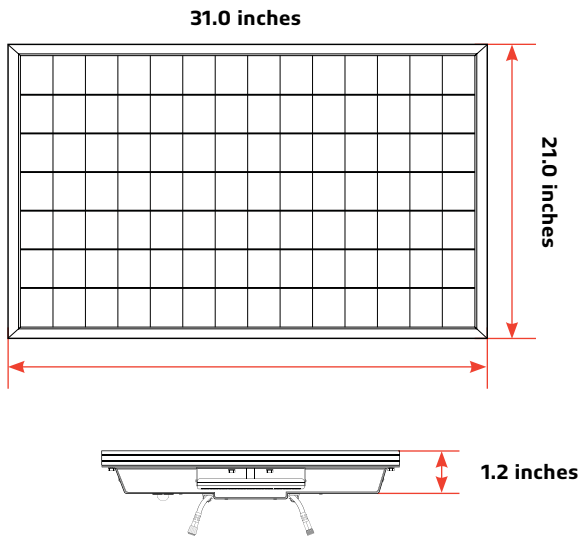
Changes as natural light decreases/increases (turns on at dusk); 100% brightness for 1 hour, 70% brightness for 2 hours, 60% brightness for 2 hours, 40% brightness for 1 hour, 100% brightness for the rest of the night (turns off at Dawn).



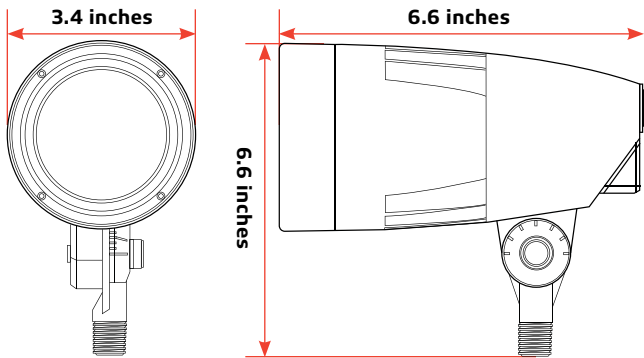
SPOTLINE SOLAR-POWERED LED FLAG LIGHT 15W | 30W

CATALOG		COMMENTS
PROJECT		
PREPARED BY		
DATE		

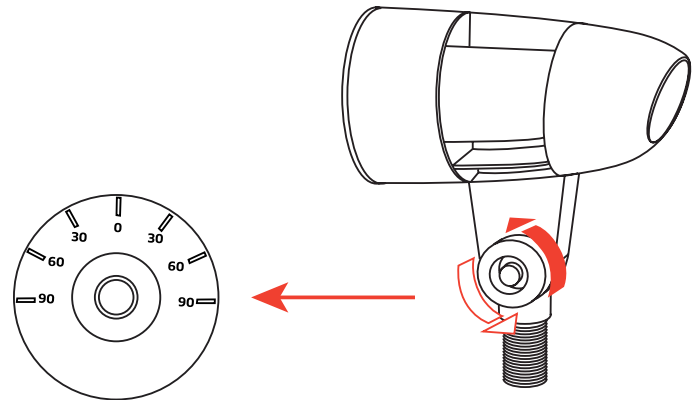
PRODUCT SIZE



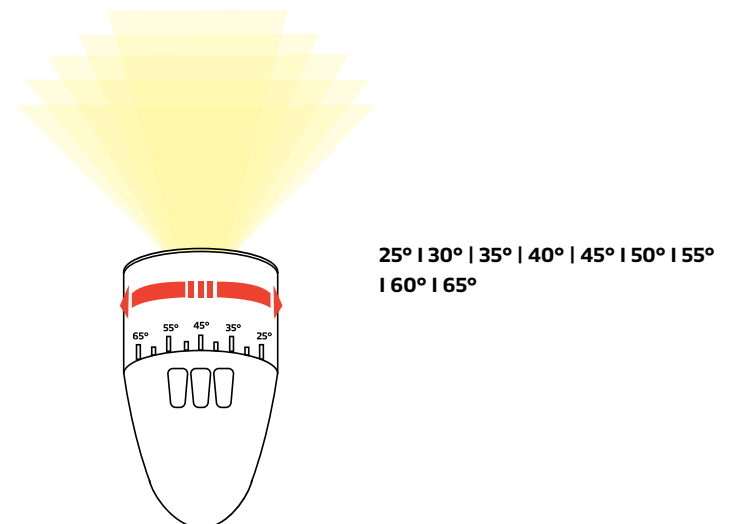
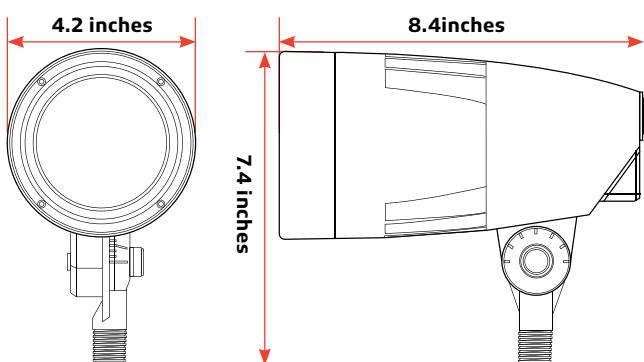
15W



ADJUSTABLE LIGHT ANGLE



30W





SPOTLINE SOLAR-POWERED LED FLAG LIGHT 15W | 30W

ORDERING INFORMATION

SERIES	WATTAGE	COLOR TEMPERATURE	FINISH
STL-SPO =SPOTLINE	15=15W	3=3000K	GY=Gray BK=Black
	30=30W	4=4000K	
		5=5000K	

- - -

Example: STL-SPO303BK

This example product number is for SPOTLINE 30 watt, 3000K CCT, with a black finish.

CATALOG		COMMENTS
PROJECT		
PREPARED BY		
DATE		

SPOTLINE is covered by a 5 years limited warranty. SOLTECH urban light warrants to the original purchaser that this product is free from defects in materials and workmanship for the period of 5 years from date of purchase. To obtain warranty service please contact your local distributor or sales rep for further instruction.



SOLTECH LLC reserves the right to update all product data sheets at any time.

Copyright©2018–2024 SOLTECH LLC,
All Rights Reserved.