

## FLUX 6W 20W

### APPLICATIONS

FLUX flood lights can be used in gardens, courtyards, tennis courts, landscapes, residential applications, or as extra lighting in parking lots. It is also a great fit for park and campus pathways, or any outdoor application that requires a solar LED light at a low cost.

### DESCRIPTION

- Solar panel bracket is 360 adjustable and the light module is 270 adjustable. Adjusting the solar panel angle maximizes solar collection & allows snow and other build up to slide off.
- Large battery capacity of 7,680mAh enables long run times.
- Wall-mounting and post-mounting accessories available
- The latest advanced Li-ion battery lasts 2000+ charging cycles
- 11 operating modes that are programmable via remote control or controls on the fixture
- IP66 rated protection from water, dirt, and dust.
- The easiest way to bring lighting to any outdoor application
- Photo and motion sensors, wide angle 360° detection, high sensitivity

### CERTIFICATION DATA



### ORDERING INFORMATION

SERIES	WATTAGE	COLOR TEMPERATURE	MOUNTING OPTIONS	FINISH
STL-FLX=FLUX	6=6W 1,020 Lumens 20=20W 3,400 Lumens	4=4,000K	WM=Wall Mount PM=Pole Mount	GY=GRAY BZ=BRONZE

-  -  -  -

### SPECIFICATION FEATURES



#### Generate More Solar Energy and Store More Energy

- Adjusting the solar panel angle maximizes solar collection & allows snow to slide off
- This solar flood light's two-piece design allows the separated solar panel to always collect energy from the sun without affecting the direction of the light module



#### High Brightness and Smart Power Consumption

- 170 Lm/w, the highest efficiency in the industry
- Microwave motion sensor and one-key automatic dimming
- 11 operating modes, one-key smart programming



#### Versatile Design

- Use outdoor as a flood light or wall pack
- Use as a portable work light or camping light
- Designed for round pole and wall pack applications



#### Low Maintenance Design

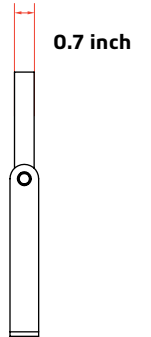
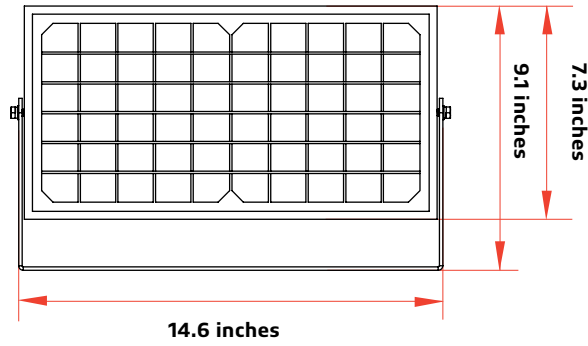
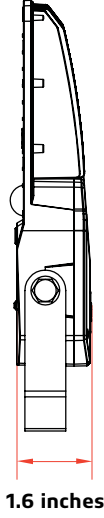
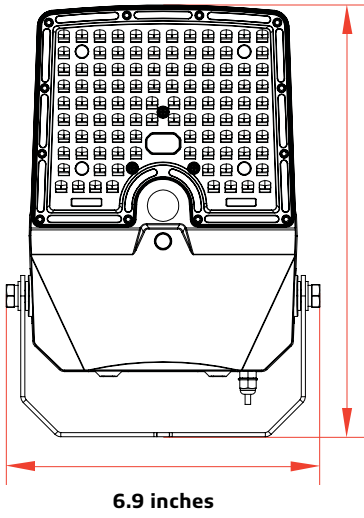
- Die cast A380 aluminum fixture housing is rust-free
- Grade A LifePO<sub>4</sub> Battery Pack, 2000+ full charging cycles



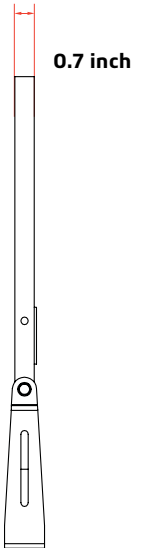
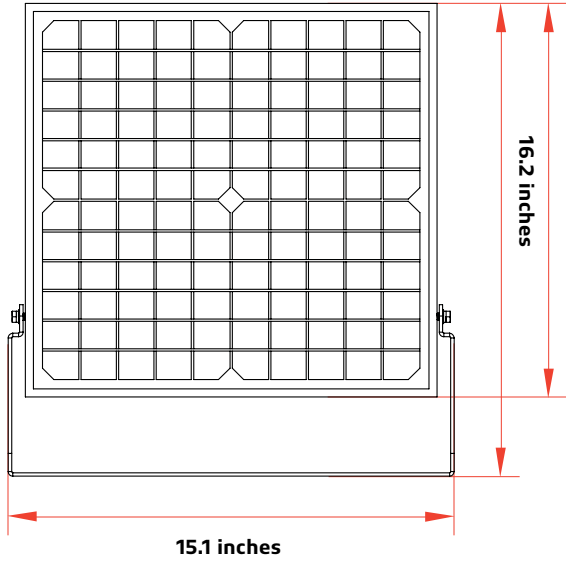
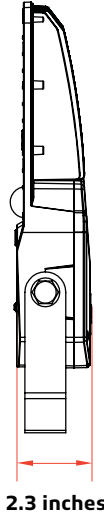
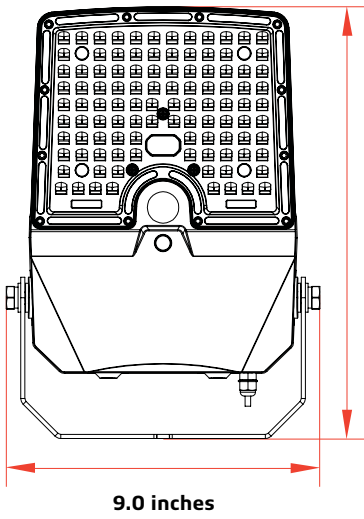
# FLUX 6W 20W

## PRODUCT SIZE

### FLUX 6W



### FLUX 20W



## FLUX 6W 20W

### SPECIFICATIONS

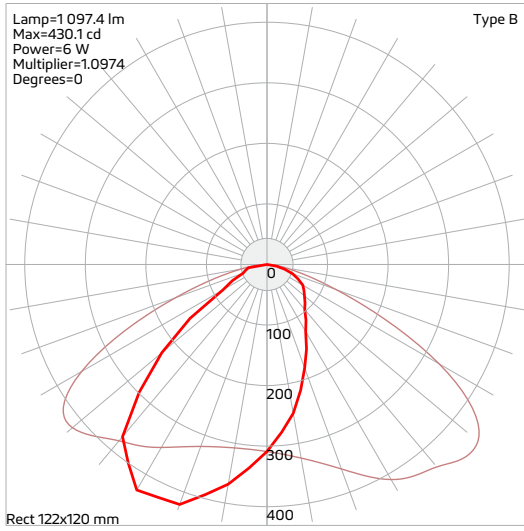
Specifications	FLUX 6W	FLUX 20W
LED Nominal Power	6W	20W
Solar Panel	Mono-Crystalline 10V 10W	Mono-Crystalline 10V 20W
LiFePO <sub>4</sub> Battery	6.4V 3AH	6.4V 12AH
CCT	4,000K	4,000K
Lumen Output@4000K	1,020	3,400
CRI	> 70	> 70
Product Size	Light Head 9.5 X 6.9 X 1.6 Inches Solar Panel 7.3X 14.6X 0.7 Inches	Light Head 12.4 X 9.0 X 2.3 Inches Solar Panel 13.5 X 15.1 X 0.7 Inches
Beam Spread	>130° + NEMA type 7 Very Wide	>130° + NEMA type 7 Very Wide
Cable Length	16.5 ft	16.5 ft
Waterproof Rate	IP66	IP66
Casting	PC & Aluminum	PC & Aluminum
Efficiency@4000K	170 lm/W	170 lm/W
* Charging Time	6hrs (1000W/m <sup>2</sup> )	6hrs (1000W/m <sup>2</sup> )
Run Time (@Full Charged)	5-7 Rainy Day	5-7 Rainy Day
Operation Mode	11 Operating Modes	11 Operating Modes
PIR Sensor Angle / Distance	360° / 16.4 ft	360° / 16.4 ft
* Operating Temperature	-4 °F to 122 °F	-4 °F to 122 °F
* Charging Temperature	-32 °F to 149 °F	-32 °F to 149 °F

\* The temperature can impact the battery's charge and daily operation.

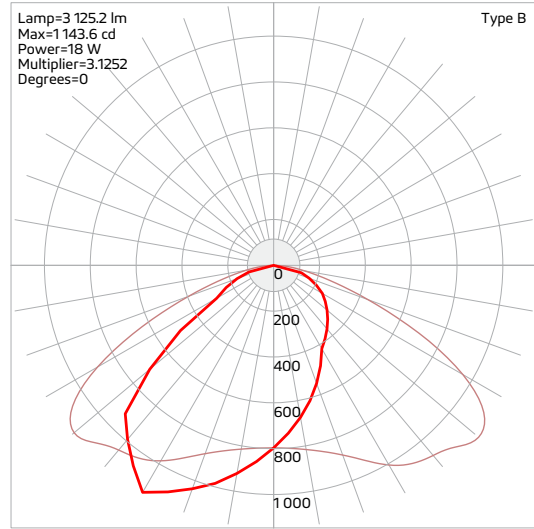
\* The solar charge data is base on 77 degree F ambient temperature with the panel facing direct solar radiation. The standard radiation value is 1000W/m<sup>2</sup>.

**FLUX 6W 20W**

**IES / BEAM**



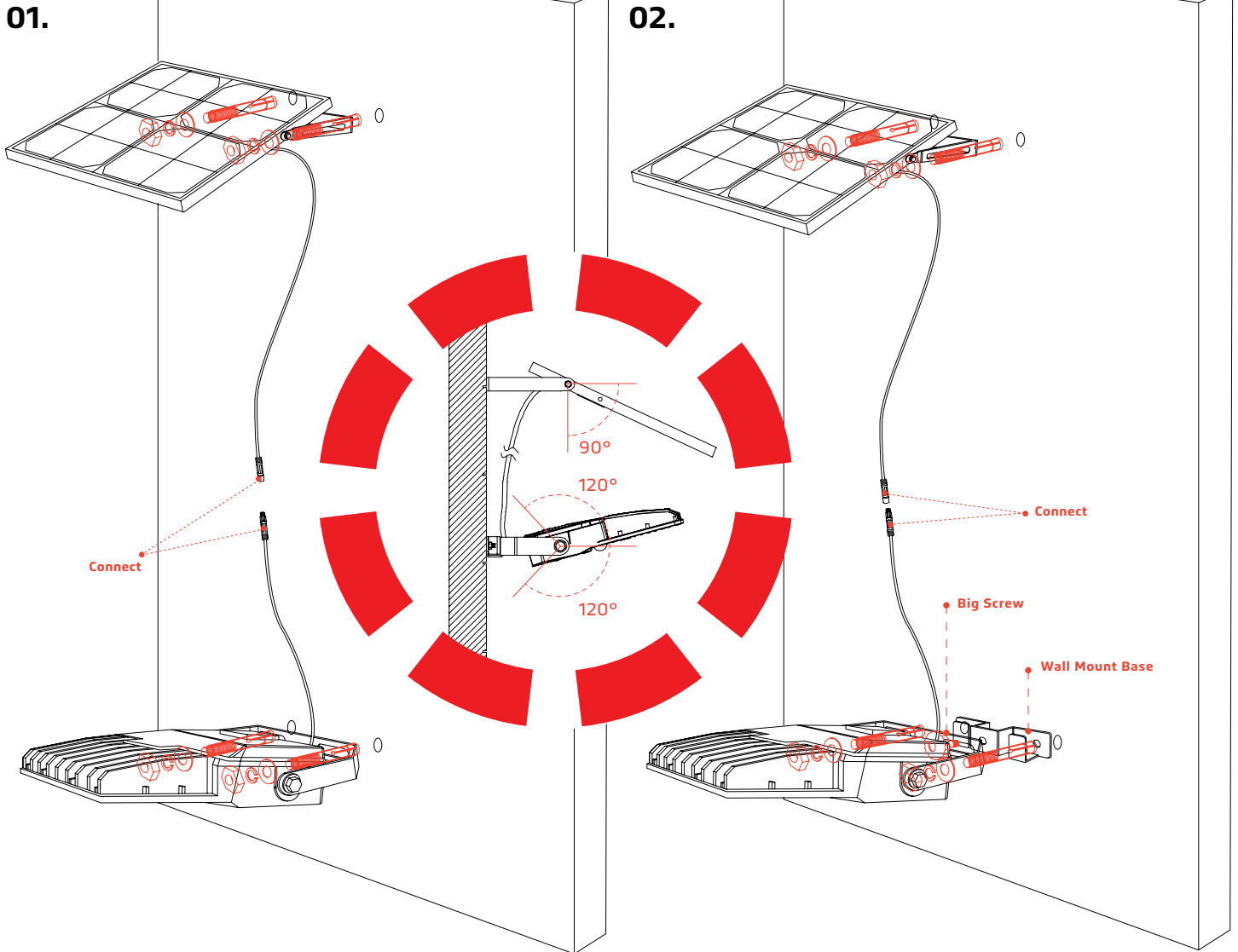
**FLUX 6W**



**FLUX 20W**

**INSTALLATION**

**WALL MOUNT**



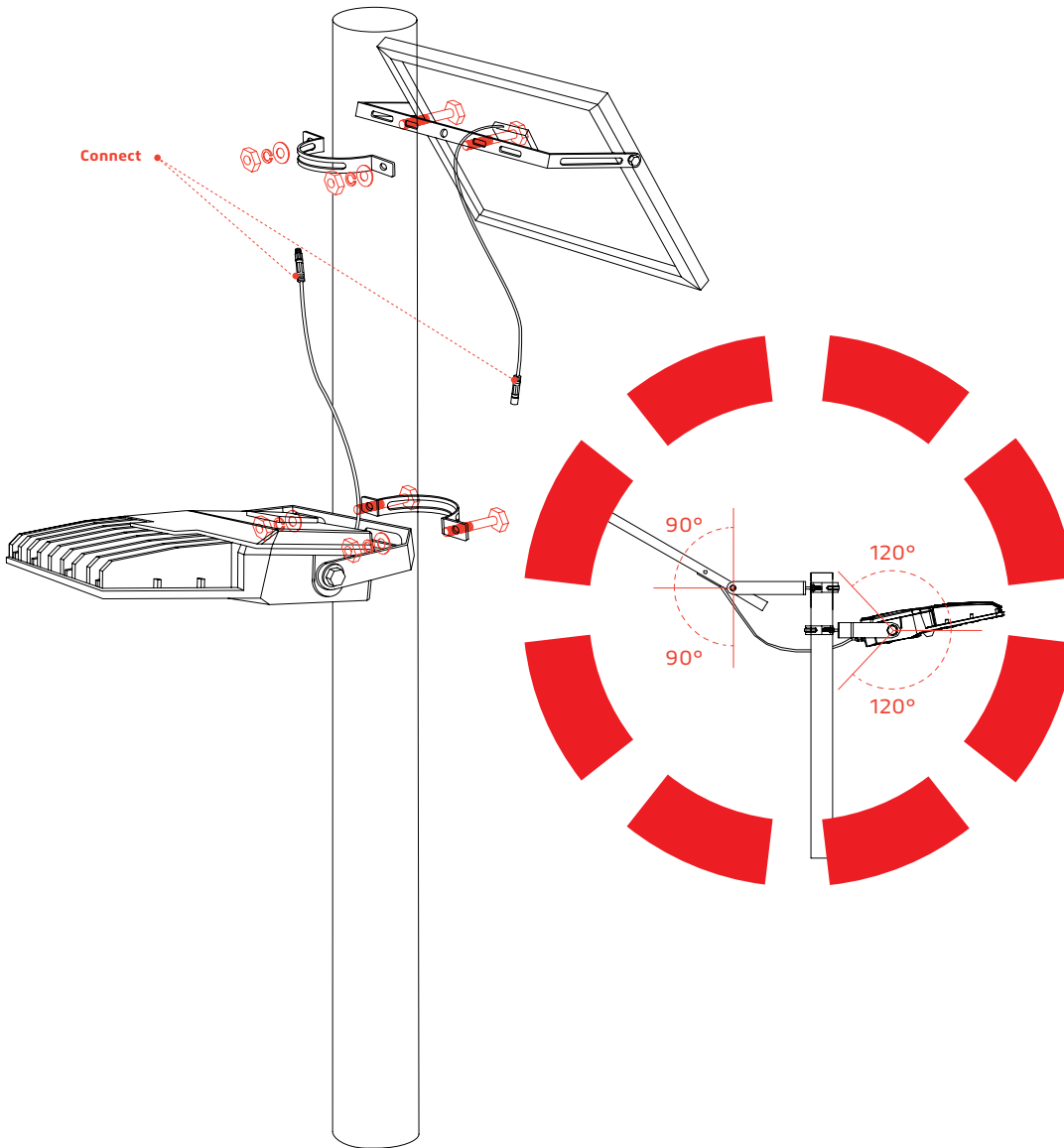
1. First mount the solar panel.
2. Drill two holes into the wall surface then use the screw kit to secure the solar panel bracket on the wall. After you secure the solar panel bracket, attach the solar panel to the bracket.
3. Then mount the fixture.
4. Drill two holes into the wall surface. Attach the bracket to the fixture then secure to the wall surface with the screw kit.
5. Connect the light and solar panel cables.

1. First mount the solar panel.
2. Drill two holes into the wall surface then use the screw kit to secure the solar panel bracket on the wall. After you secure the solar panel bracket, attach the solar panel to the bracket.
3. Then mount the fixture.
4. Drill two holes into the wall surface then screw in the wall mount base to the wall.
5. Attach the bracket to the fixture and then hang the bracket on the wall mount base. Lastly, use the big screw to hold them together.
6. Connect the light and solar panel cables.

# FLUX 6W 20W

## INSTALLATION

### POLE MOUNT



1. First, mount the solar panel to the pole.
2. Use the screw kit to secure the pole mount base and the solar panel bracket to the pole, then attach the solar panel to the bracket.
3. Then, mount the fixture.
4. Attach the bracket to the fixture and then use the screw kit to secure the fixture bracket to the pole mount base on the pole.
5. Connect the light and solar panel cables.

**FLUX 6W 20W**

**REMOTE CONTROL**

**MOTION SENSOR MODES**



Light on 100% if motion is detected, stand-by period 60 seconds. Light will turn off when no motion is detected.



Light on 100% if motion is detected, stand-by period 60 seconds. Light will dim down to 5% out put when no motion is detected.



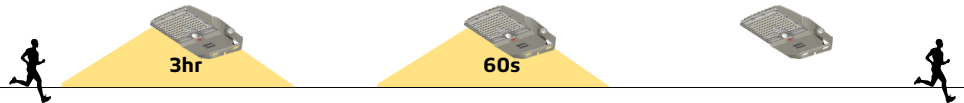
Light on 100% if motion is detected, stand-by period 120 seconds. Light will turn off when no motion is detected.



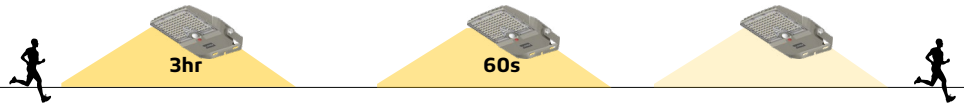
Light on 100% if motion is detected, stand-by period 120 seconds. Light will dim down to 5% out put when no motion is detected.



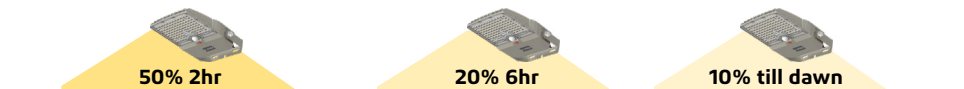
Light on 50% for 3 hours (Sensor disabled), then returns to motion sensor mode. If motion detected, stand-by period 60 seconds. Light will turn off when no motion is detected.



Light on 50% for 3 hours (Sensor disabled), then returns to motion sensor mode. If motion detected, stand-by period 60 seconds. Light will dim down to 5% output when no motion is detected.



Light on 50% for 2 hours, and dim down to 20% for 6 hours, then dim down to 10% till dawn (Sensor disabled).



**Indicator Status**



**Power Status**



1. Turn On The Light: Press red button and hold for 4 seconds.
2. Mode Switch: Press mode buttons.
3. Turn Off The Light: Press red button and hold for 4 seconds.

**REMOTE CONTROL INSTRUCTIONS**

Remote Buttons	Indicator Status
<b>A</b>	<b>Red</b>
<b>B</b>	<b>Green</b>
<b>C</b>	<b>Red+Green</b>
<b>D</b>	<b>Blue</b>
<b>E</b>	<b>Blue+Red</b>
<b>F</b>	<b>Blue+Green</b>



**Additional Notes**

1. The flood lights "Turn On" time depends on the client's local time (Turn-on Light Level:< 20Lux).
2. A, B, C, D, E and F modes have memory functions. For example, if you press mode A and then press the OFF button, Mode A will still be activated when you turn the light on again until end user resets the mode.





**FLUX** 6W 20W

**WARRANTY**

**FLUX products are covered by a 3 year limited warranty. SOLTECH urban light warrants to the original purchaser that this product is free from defects in materials and workmanship for the period of 3 years from date of purchase. To obtain warranty service please contact your local distributor or sales rep for further instruction.**

