



The CL-1STIX Architectural Luminaire, slim Profiles with Robust Construction. Lighting Solution for modern Offices, Public Areas, Libraries and other Indoor Spaces. CL-1STIX is Available in 2', 3' and 4' OD. CL-1STIX includes a White Cord along with Stainless Steel Aircraft Cables.

-10 Year Limited Warranty.

FEATURES

- Driver 120/277, 0-10v Dimming Driver.
- Available in 3000K or 4000K
- Lumileds Flex LED strip
- 80 CRI
- Suitable for damp locations
- White cord (included)
- Stainless Steel Adjustable Aircraft Cables

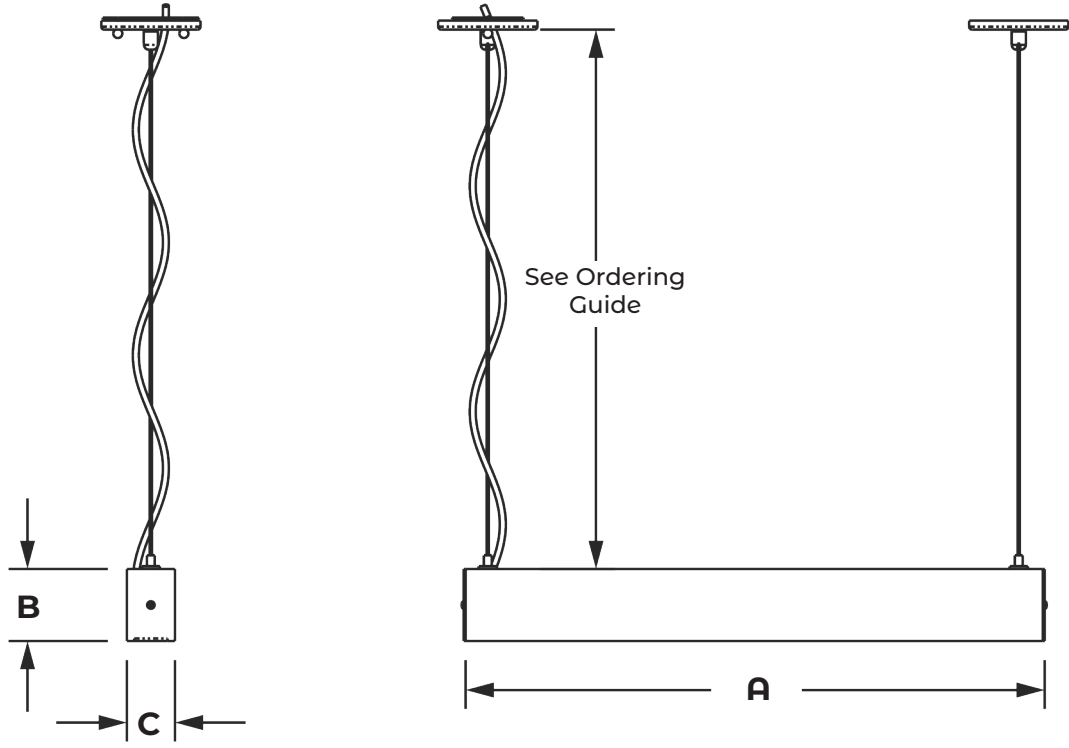
CONSTRUCTION

- Material: Aluminum Housing
- 3 Mills Powder Coating
- Frosted Acrylic Lens (standard)

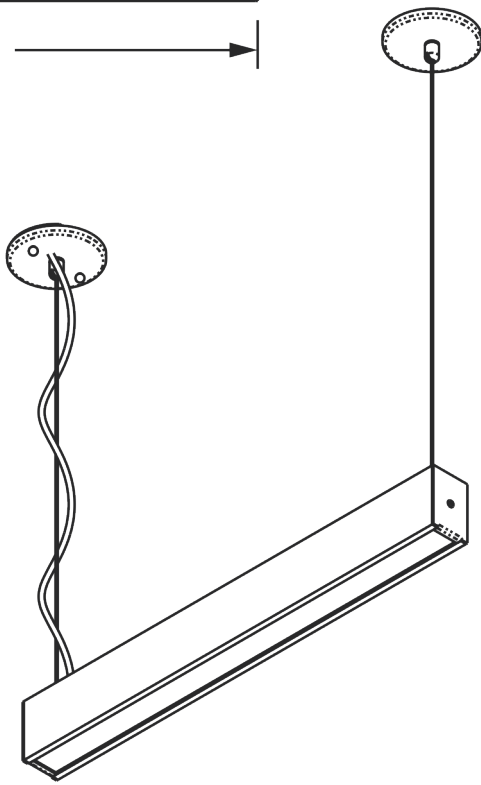


Example: CL-1STIX-2-10CLEd-30K-MV-BLK-CBM4

Cat #	Length	Strap Design	Wattage	Color Temp.	Voltage	Finish	Mounting
CL-1STIX (CL-1STIX)	24" (2)	Down Light (DL)	10W (10CLEd)	3000K (30K)	120-277V (MV)	Matte Black (MBLK)	Aircraft Cable
	-----		20W	4000K		Glossy Black (GBLK)	
	36" (3)	Up Light (UL)	(20CLEd)	(40K)		Texture Black (TBLK)	CBM 4' (CBM2)
	-----		30W	5000K		Texture White (TWHT)	
	48" (4)	UP& Down- Light (UDL)	(30CLEd)	(50K)		Silver (SLR)	CBM 6' (CBM3)
			40W			Bronze (BRZ)	
		UP& Down- Light (UDL)	(40CLEd)		Graphite (GPH)	Custom (CST)	
			50W		Copper Vein (CPV)		
			(50CLEd)		Silver Vein (SLV)		
			60W		Oil Rubbed Bronze (ORB)		
			(60CLEd)				



Cat#	A	B	C
CL-1STIX-2	24"	3"	2"
CL-1STIX-3	36"	3"	2"
CL-1STIX-4	48"	3"	2"



Cat #	Input Power	Lumen Output	LPW	Color Temp. (CCT)	CRI	Rated Life (L70)	Input Voltage
CL-1STIX-2-10CLED	15W	1,540	102	5000K	70+	>200,000	120-277V
CL-1STIX-2-20CLED	25W	2,552	103	5000K	70+	>200,000	120-277V
CL-1STIX-3-30CLED	35W	4,011	133	5000K	70+	>200,000	120-277V
CL-1STIX-3-40CLED	45W	5,110	128	5000K	70+	>200,000	120-277V
CL-1STIX-4-50CLED	55W	7,198	130	5000K	70+	>200,000	120-277V
CL-1STIX-4-60CLED	65W	8,448	129	5000K	70+	>200,000	120-277V

Proudly Manufactured and Assembled in the USA