

The CLC-3052 is available in two different sizes and in multiple finishes to choose from in order to suit desired requirements. It also includes an acrylic lens. This ceiling mount fixture is commonly installed in interior facilities such as: residential homes, indoor shopping areas, offices, and restaurants.

**FEATURES**

- MV—120~277V
- UL listed for damp and wet locations
- Other options available (see ordering guide below)
- 10 year warranty

**CONSTRUCTION**

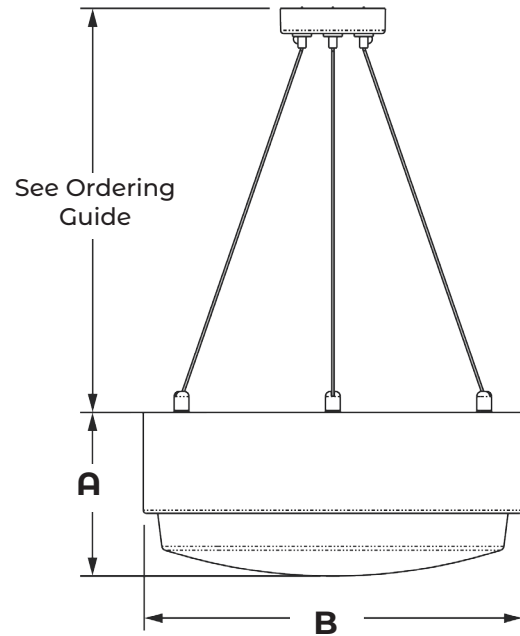
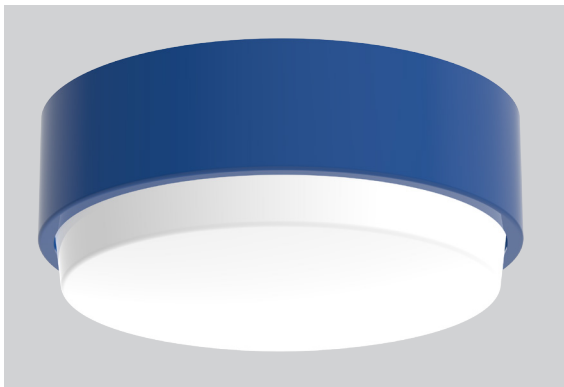
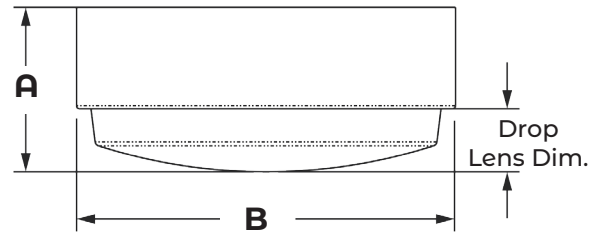
- Housing Heavy Gauge Aluminum / Opal Lens.
- 3 mil Powder Coating
- Opal Acrylic Lens (Standard)
- Multiple finishes to choose from (see ordering guide)



Example: CL-3052-SM-20LED-50-MV-BZ-PC

Cat #	Wattage	Color Temp.	Voltage	Drop Lens	Finish	Mounting	Options
CL-3052-SM	10W (10CLED)	3000K (30K)	120-277V (MV)	Flush (FSH)	Matte Black (MBLK)	Celing Mount (CM)	Button Photocell (PC)
CL-3052-LG	20W (20CLED)	4000K (40K)		1" DROP (1DP)	Glossy Black (GBLK)	Aircraft Cable Lenght	Occupacy Sensor (OCC)
	30W (30CLED)	5000K (50K)		2" DROP (2DP)	Texture Black (TBLK)		
					Texture White (TWHT)	(2"AC)	
					Silver (SLR)	(3"AC)	
					Bronze (BRZ)	(4"AC)	
					Graphite (GPH)	Custom (CST)	
					Copper Vein (CPV)		
					Silver Vein(SLV)		
					Oil Rubbeb Bronze (ORB)		
					Red (RD)		
					Yellow (YW)		
					Orange (OR)		

Cat#	A	B
CL-3052-S	6" 1/2"	13"
CL-3052-L	6" 1/2"	16"



Cat #	Input Power	Lumen Output	Color Temp. (CCT)	CRI	Rated Life (L70)	Input Voltage
CL-3052-10CLED-S/L	15W	800	5000K	75+	>200,000	120-277V
CL-3052-20CLED-S/L	25W	1,600	5000K	75+	>200,000	120-277V
CL-3052-30CLED-S/L	35W	3,836	5000K	75+	>200,000	120-277V

Proudly Manufactured and Assembled in the USA