

CL-3060 adds a touch of elegance to your interiors. This vanity light is made with Quality Aluminum Material and enables years of functionality. The standard finish includes Brushed Aluminum; however, it is available in multiple finishes to choose from to suit desired requirements. CL-3060 vanity light commonly installed in Bathrooms, Hallways, or Powder Rooms.

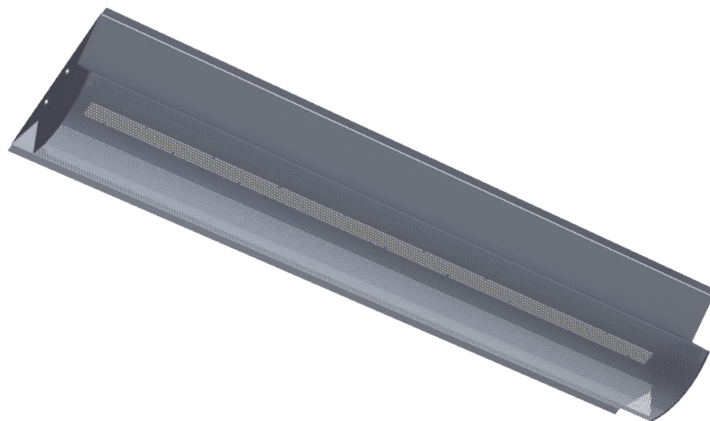
-10 year or 10,000 Hour Limited Warranty

Features:

- 120/277 Multi-Volt
- Available in 30K/80CRI Standard, 40K, 50k or 90CRI are optional
- High efficient LED strip
- UL listed for damp and wet locations

Construction

- Housing is Heavy Gauge Aluminum Material.
- Perforated Mesh (Standard)
- Multiple Finishes to choose (See Ordering Guide)

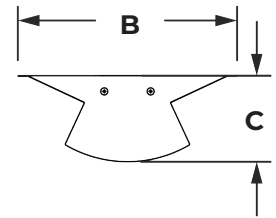
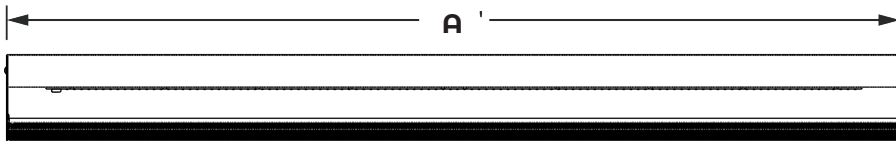
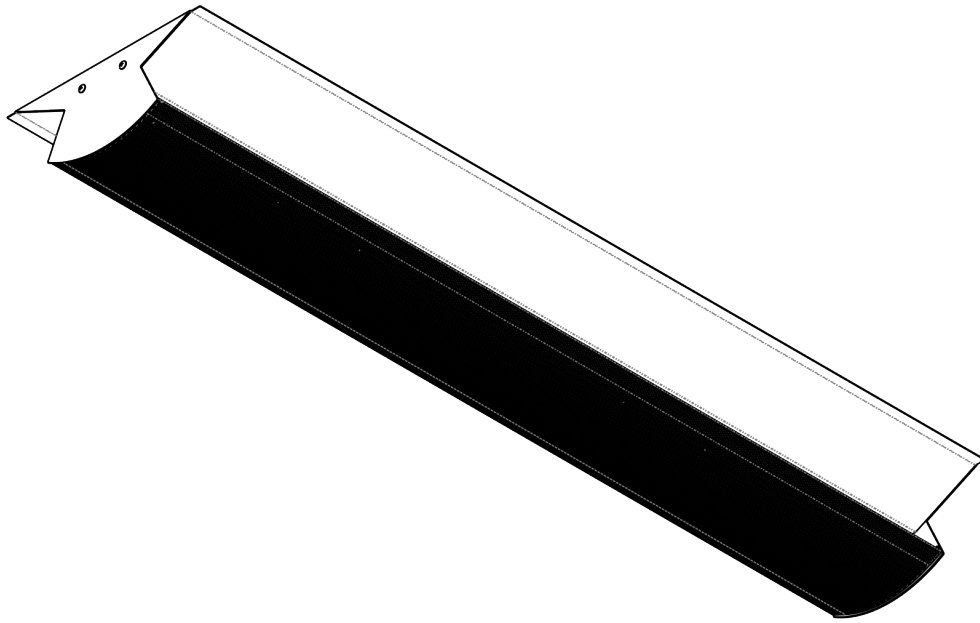


Ceiling Mount



Example: CL-3060-10CLEd-30K-MV-BLK-CM-PC

Cat #	Wattage	Color Temp.	Voltage	Finish	Mounting	Options
CL-3060	10W (10CLEd) 20W (20CLEd)	3000K (30K) 4000K (40K) 5000K (50K)	120-277V (mv)	Black (BLK) Bronze (BRZ) Gray (GR) White (WHT) Silver (SLR) Custom (CST)  Brushed Aluminum (BRSH-A)	Ceiling Mount (cm)	Button Photocell (PC) Micro Wave Sensor (MWS)  Emergency Batt. Pack (EMR)



Dimensions			
Cat#	A	B	C
CL-3060	48"	11" 7/8	4" 5/8"

Cat #	Input Power	Lumen Output	LPW	Color Temp. (CCT)	CRI	Rated Life (L70)	Input Voltage
CL-3060-10CLED	15W	1540	102	5000K	70+	>200,000	120-277V
CL-3060-20CLED	25W	2552	103	5000K	70+	>200,000	120-277V

Proudly Manufactured and Assembled in the USA