



The CLH-RNG Architectural Luminaire, slim Profiles with Robust Construction. Lighting Solution for modern Offices, Public Areas, Libraries and other Indoor Spaces. CL-RNG is Available in 2', 4' and 4' OD. CL-RNG includes a White Cord along with Stainless Steel Aircraft Cables.

-10 Year Limited Warranty.

FEATURES

- Driver 120/277, 0-10v Dimming Driver.
- Available in 3000K or 4000K
- Lumileds Flex LED strip
- 80 CRI
- Suitable for damp locations
- White cord (included)
- Stainless Steel Adjustable Aircraft Cables

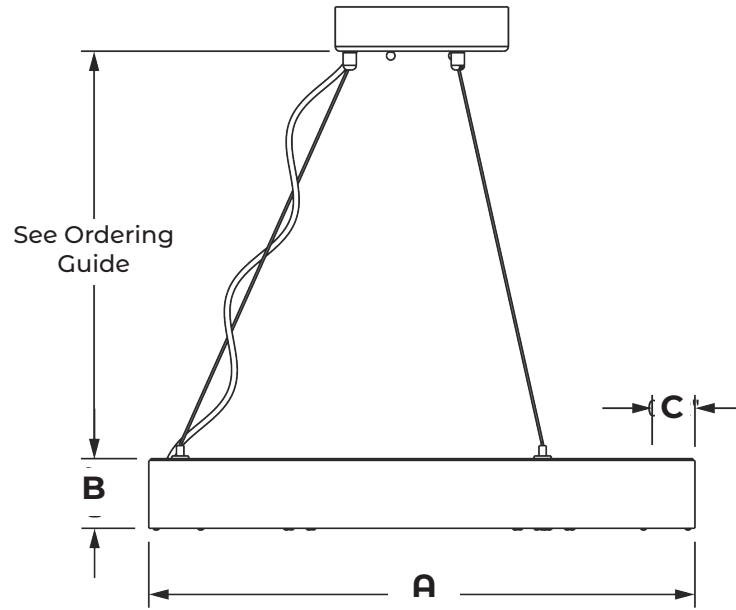
CONSTRUCTION

- Material: Aluminum Housing
- 3 Mills Powder Coating
- Frosted Acrylic Lens (standard)

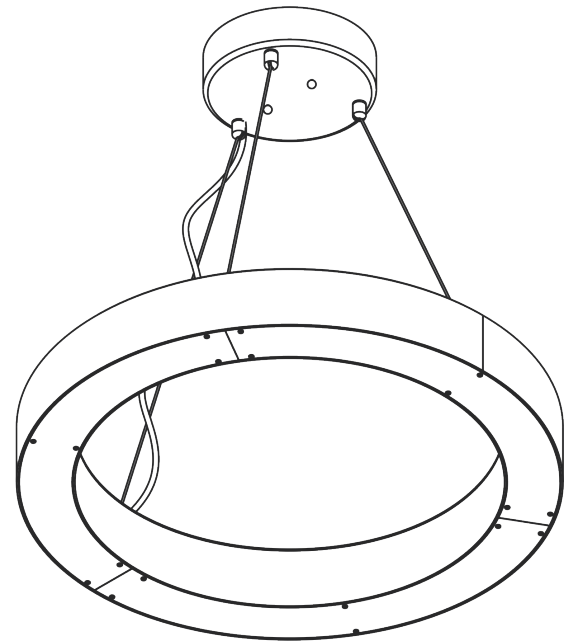


Example: CL-RNG1-DL-10CLEDD-30K-MV-BLK-CBM4

Cat #	Strap Design	Wattage	Color Temp.	Voltage	Finish	Mounting
CL-RING 24" (CL-RNG1)	Down Light (DL)	10W (10CLEDD)	3000K (30K)	120-277V (MV)	Matte Black (MBLK) Glossy Black (GBLK) Texture Black (TBLK) Texture White (TWHT) Silver (SLR) Bronze (BRZ) Graphite (GPH) Copper Vein (CPV) Silver Vein (SLV) Oil Rubbed Bronze (ORB)	<u>Aircraft Cable</u>
CL-RING 36" (CL-RNG2)	Up Light (UL)	20W (20CLEDD)	4000K (40K)			CBM 4' (CBM2)
CL-RING 48" (CL-RNG3)	UP& Down-Light (UDL)	30W (30CLEDD)	5000K (50K)			CBM 6' (CBM3)
		40W (40CLEDD)				Custom (CST)
		50W (50CLEDD)				
		60W (60CLEDD)				



Cat#	A	B	C
CL-RNG1	24"	3"	1"1/2
CL-RNG2	36"	3"	3"
CL-RNG3	48"	3"	3"



Cat #	Input Power	Lumen Output	LPW	Color Temp. (CCT)	CRI	Rated Life (L70)	Input Voltage
CL-RNG1-10CLED	12W	1,592	132	5000K	70+	>200,000	120-277V
CL-RNG1-20CLED	25W	3,203	128	5000K	70+	>200,000	120-277V
CL-RNG2-30CLED	35W	4,807	137	5000K	70+	>200,000	120-277V
CL-RNG2-40CLED	45W	6,411	142	5000K	70+	>200,000	120-277V
CL-RNG3-50CLED	55W	8,494	154	5000K	70+	>200,000	120-277V
CL-RNG3-60CLED	65W	9,560	147	5000K	70+	>200,000	120-277V

Proudly Manufactured and Assembled in the USA