

CLP-CROSS ARMS
CROSS ARMS/BRACKERS
DESIGN - QUALITY

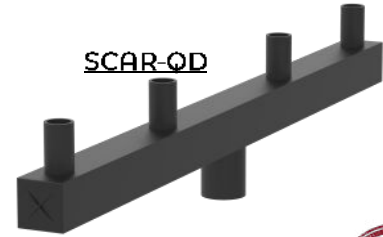
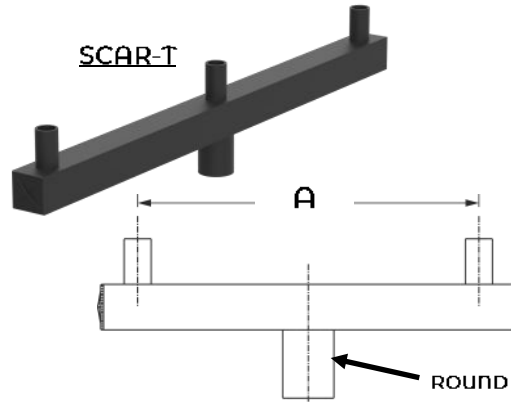


Crystal 
Lighting

CLP-SCA

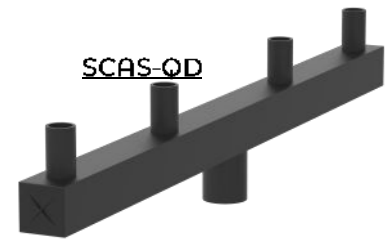
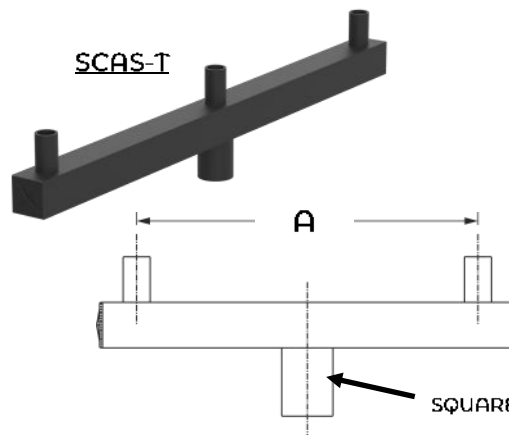
STRAIGHT CROSS ARMS

STRAIGHT CROSS ARMS Constructed of TIG Square Steel tubing TIG, 2" 3/8 Tenon. SCA mount over 2" 3/8, 3", 3" 1/2, 4" and 5" Outside Diameter and secured with 3/8 Set Screws. Aluminum Pole caps in both ends. Contact us for mountings options.



Example: (SCAR-T-36-3-BRZ)

CAT #	DIMENTION Tenon-Tenon (A)	MOUNTING (Over)	FINISH	CAT#	EPA
STRAIGHT CROSS ARMS ROUND DOUBLE (SCAR-D)	36" (36) 48" (48) 60" (60)	2" 3/8 (238) 3" (3)	BLACK (BLK) WHITE (WH) BRONZE (BRZ)	SCAR-D-36	1.35
STRAIGHT CROSS ARMS ROUND TRIPLE (SCAR-T)	24" (24) 32" (32) 36" (36)	3" 1/2 (312) 4" (4)	SILVER (SIL) GRAPHITE (GPH) MARINE GRADE (MG)	SCAR-D-48	1.71
STRAIGHT CROSS ARMS ROUND QUAD (SCAR-QD)	24" (24) 30" (30)	5" (5)		SCAR-D-60	2.02
				SCAR-T-24	1.78
				SCAR-T-32	2.11
				SCAR-T-36	2.85
				SCAR-QD-24	2.31
				SCAR-QD-30	3.01



Example: (SCAS-T-36-3-BRZ)

CAT #	DIMENTION Tenon-Tenon (A)	MOUNTING (Over)	FINISH	CAT#	EPA
STRAIGHT CROSS ARMS SQUARE DOUBLE (SCAS-D)	36" (36) 48" (48) 60" (60)	3" (3) 4" (4)	BLACK (BLK) WHITE (WH) BRONZE (BRZ)	SCAS-D-36	1.35
STRAIGHT CROSS ARMS SQUARE TRIPLE (SCAS-T)	36" (36) 48" (48) 60" (60)	5" (5)	SILVER (SIL) GRAPHITE (GPH) MARINE GRADE (MG)	SCAS-D-48	1.71
STRAIGHT CROSS ARMS SQUARE QUAD (SCAS-QD)	36" (36) 48" (48)			SCAS-D-60	2.02
				SCAS-T-24	1.78
				SCAS-T-32	2.11
				SCAS-T-36	2.85
				SCAS-QD-24	2.31
				SCAS-QD-30	3.01

CLP-SCA

CROSS ARMS

STRAIGHT CROSS ARMS Constructed of TIG Square Steel tubing TIG, 2" 3/8 Tenon. SCA mount over 2" 3/8, 3", 3" 1/2, 4" and 5" Outside Diameter and secured with 3/8 Set Screws. Aluminum Pole caps in both ends.
Contact us for mountings options.

SCAR-D90°



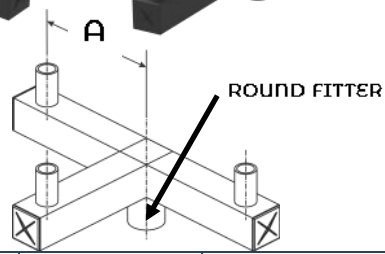
SCAR-T90°



SCAR-T120°



SCAR-QD



Example: (SCAR-D90-36-3-BRZ)

CAT #	DIMENTION Tenon-Tenon (A)	MOUNTING (Over)	FINISH
CROSS ARMS ROUND DOUBLE 90° (SCAR-D90)	18" (24)	2" 3/8 (238)	BLACK (BLK)
CROSS ARMS ROUND TRIPLE 90° (SCAR-T90)	24" (32)	3" (3)	WHITE (WH)
CROSS ARMS ROUND TRIPLE 120° (SCAR-T120)	36" (36)	3" 1/2 (312)	BRONZE (BRZ)
CROSS ARMS ROUND QUAD (SCAR-QD)		4" (4)	SILVER (SIL)
		5" (5)	GRAPHITE (GPH)
			MARINE GRADE (MG)

CAT#	EPA
SCAR-D90-18	1.5
SCAR-T90-24	1.75
SCAR-T120-36	1.6
SCAR-QD-36	1.75

SCAS-D90°



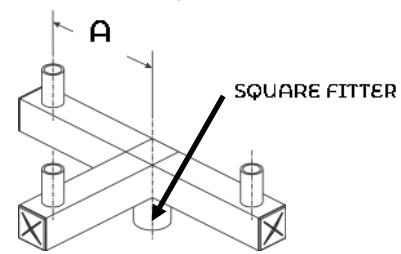
SCAS-T90°



SCAS-T120°



SCAS-QD



Example: (SCAS-T90-36-3-BRZ)

CAT #	DIMENTION Tenon-Tenon (A)	MOUNTING (Over)	FINISH
CROSS ARMS SQUARE DOUBLE 90° (SCAS-D90)	18" (24)	3" (3)	BLACK (BLK)
CROSS ARMS SQUARE TRIPLE 90° (SCAS-T90)	24" (32)	4" (4)	WHITE (WH)
CROSS ARMS SQUARE TRIPLE 120° (SCAS-T120)	36" (36)	5" (5)	BRONZE (BRZ)
CROSS ARMS SQUARE QUAD (SCAS-QD)			SILVER (SIL)
			GRAPHITE (GPH)
			MARINE GRADE (MG)

CAT#	EPA
SCAS-D90-18	1.5
SCAS-T90-24	1.75
SCAS-T120-36	1.6
SCAS-QD-48	1.75