

Heliport FATO Aiming Point Light is used for night operation. To use omnidirectional white light lighten the heliport aiming point markings/ FATO area. HL-100 flush helipad light proved to be reliable quality and installed at rooftop, surface ground, ships,etc worldwide.

**Applications:**

- Flush mounted FATO edge lights by ICAO standards.
- Aiming point lights
- Flight path alignment lights
- Approach lights

**Compliant:**

- ICAO Annex 14, Volume II, 4th Edition, July, 2013

**Why HL-100:**

- Flush type, lens above the grade only 15mm after installations.
- Ingress protection rating IP68.
- Fixture can be used with 90V~265V AC, 50Hz or 60Hz.
- Heat&corrosion resistant lens ensure outdoor operation performance.
- Unique optical lens design exceed ICAO required optical performance.
- Consist of internal cap and external mounting base(base can).
- Reserved glands/cables at bottom base 1 in-1 out, easy installations.

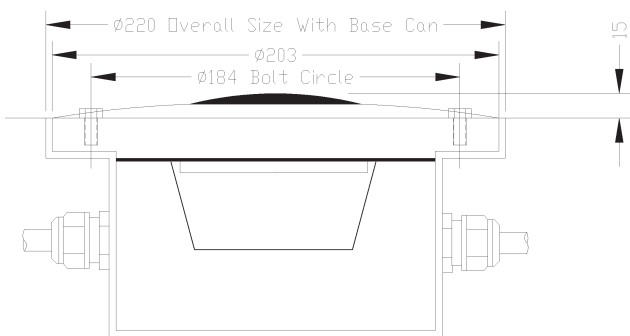
**Optical Characteristics:**

Elevation angle	Azimuth	Light Intensity
30°	-180° to 180°	>10cd
25°	-180° to 180°	>50cd
20°	-180° to 180°	>100cd
10°		
3°	-180° to 180°	>100cd
0°	-180° to 180°	>10cd

**Electrical Characteristics:**

- Power by 90V to 265V AC, or others by required.
- <20W power consumption.
- Green color LED light source 100,000 hours lifetime.
- Dimming of brightness function available with customized controller.
- Switchable dual colors is available with customized controller.
- VHF control with customized controller.

**Drawings:**



**Physical Characteristics:**

- Die-casting aluminum bodys.
- All hardwares shall be stainless steel.
- Powder coating finish for the light.
- Heat&Corrosion resistant high borosilicate glass lens.
- Sealed&protected,ingress grade rating IP68.
- Diameter standard 8"/20.32cm,bolt circle 7.25inch/18.42cm.
- ø22cm external size with base can, 13cm in height.
- 5.5KG net weight.

**Environmental:**

- Operating at -30°C to 70 °C.
- Wind speed: 80m/s.

**Ordering codes:**

Type	Output	Lamp	Mounting&Options
HL-100	W: White B: Blue R: Red G: Green Y: Yellow IR: Infrared	AC: 100/250V DC: 10/30V	Standard <sup>1</sup> VB: Variable brightness <sup>2</sup> SC: Switchable dual color <sup>3</sup> NVG: NVG Compatibility <sup>4</sup>

<sup>1</sup> Standard type default include with mounting base already.

<sup>2</sup> Variable brightness, 3 level brightness controlled.

<sup>3</sup> Switchable dual colors, omnidirectional, manual switch to Red/OFF/Green to realize a signal for pilots "Red" close to landing and "Green" available to land.

<sup>4</sup> For Night Vision Goggles (NVG), combining normal color LED

