

**AST-PM**  
Area LED Lighting  
DESIGN-FUNCTION-QUALITY



*Crystal Lighting Corp.*





ASTRAL Post Mount is a combination of security, style and Vandal resistance, AST-PM blends into any pathway environment. This Luminaire ranges from 18 to 50 Watts, Types 2, 3, 4, and 5 light distribution. Kelvin Temperature 30K, 40K and 50K available. Finished with 3 Mil Powder Coat and All Hardware stainless steel. ASTRAL PM is Proudly designed, fabricated and Assembled in the USA.

**Warranty:**

-10 year/100,000 hour Limited Warranty.

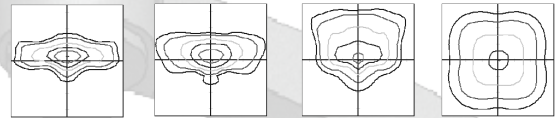
**Features:**

- Energy Savings: Over 66% compared to HID light sources.
- Improved Lumen Maintenance.
- Utilizes High efficient Lumiled LED's.
- Operating Temperatures: -30°C ~ 60°C.
- Driver: 120-277V (MV) or 480V (HV) (Optional).
- IP65 / IP67 Rated.
- 0-10 Dimming Driver, Occupancy Sensors, Photo Cell or Wireless Controls (Optional)

**Construction:**

- Corrosion-Resistant Cast Aluminum Housing
- 3 Mil Powder Coat Finish.
- Clear Optic, Types 2, 3, 4 and 5 IP67 Rated (Options)
- Silicone Gasket to provide Weather-Tight Protection (IP66).
- Mounting: Over of a 3" Pole or Tenon (Adapter is required for other mountings Options)

**OPTIC DISTRIBUTION**

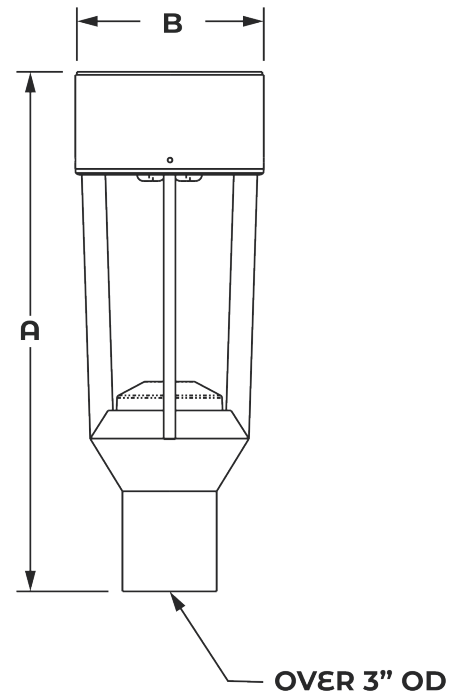
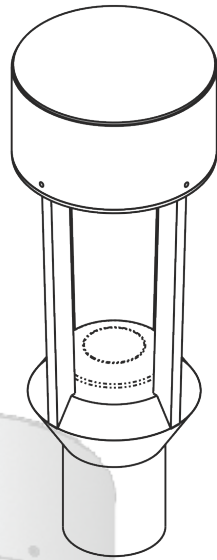
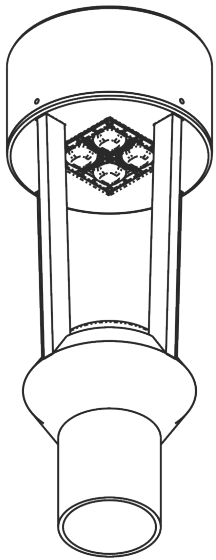


TYPE 2(T2) TYPE 3(T3) TYPE 4(T4) TYPE 5(T5)

Example: AST-PM-20CLED-T3-40K-MV-BRZ-3OD-PC



Cat#	Wattage	Light Dist.	Color Temp.	Voltage	Color	Mounting	Options
<b>AST-PM</b>							
ASTRAL-PM (AST-PM)	20W (20CLED)	Type 2 (T2)	3000K (30K)	120-277V (mv)	Black (BLK)	Post Top 3" OD (3RD)	Button Photo Cell (PC)
	40W (40CLED)	Type 3 (T3)	4000K (40K)		White (WH)		Wireless controls (WC)
	50W (50CLED)	Type 4 (T4)	5000K (50K)		Bronze (BRZ)	House Side Shield (HSS)	
		Type 5 (T5)			Silver (SIL)		
					Graphite (GPH)		
					Marine Grade (MG)		



Dimensions			
Cat#	A	B	EPA
AST-PM	22"	8"	.69

**Arm Options**

**DA-M156**



**DA-7**



**CLP-X155**



**DA-246B**



**DA-8**



Cat #	Input Power	Lumen Output	LPW	Color Temp. (CCT)	CRI	Rated Life (L70)	Input Voltage	HID Equivalent	HID Equivalent
AST-PM-20CLED	25W	3,148	157	5000K	70+	>200,000	120-277V	50/60HZ	100W MH
AST-PM-40CLED	45W	5,706	142	5000K	70+	>200,000	120-277V	50/60HZ	150W MH
AST-PM-50CLED	55W	5,638	112	5000K	70+	>200,000	120-277V	50/60HZ	175W MH

Proudly Manufactured and Assembled in the USA