



# ALTUS™

## LED WALL SCONCE



Beyond LED ALTUS wall Sconce is a traditional style wall pack that is energy-efficient and reliable, due to its compact housing and long lifespan. Altus Wall Sconce comes with two different sizes, three adjustable wattage and Color Temperature. ALTUS luminaires offer classical elegance with aluminum housing and an excellent optic design for uniform light distribution. The ALTUS luminaires are ideal for applications such as personnel doors, hotel lobbies, Cafes, restaurants, Bars, Hotels, offices etc.

### Product Features

- Up to 120 Lumens per watt
- Operating temperature: -20°C to 40°C
- Emits evenly, without halo and shadow
- Surface mount installation
- IP66 Rated
- Input Voltage 120-277Vac
- 80% more energy saving than halogen lamp
- ETL Listed
- 5 Year warranty

# ALTUS™

## LED WALL SCONCE



SKU #	Model #	Wattage Adjustable	CCT Adjustable	Lumens	Input Voltage	Certifications
156258	MT-WS16AD-W83C-864-011D	12W/14W/16W	3K / 4K / 5K	Up to 1920Lm	120-277Vac	ETL
156259	MT-WS22AD-W83C-1454-011D	18W/20W/22W	3K / 4K / 5K	Up to 2640Lm	120-277Vac	ETL

### SKU Number 156258 Specifications

Parameter	Description	Value
General Performance	Model #	MT-WS16AD-W83C-864-011D
	Wattage Adjustable	12W / 14W / 16W
	Lumen	1440Lm - 1920Lm
	Lumen Efficacy	Up to 120LM/W
	Color Temperature	3000K / 4000K / 5000K
	CRI (Ra)	>80
	Beam Angle	270° Degree
	Diffuser Type	Frosted
Electrical	Input Voltage	120-277Vac
	Frequency	50/60Hz
	Dimming	NO
	Power Factor	>0.9
	Driver Surge Protection	2KV
	Flicker Percent	20%
Physical	Operating Temperature	-20°C To 40°C
	Operating Humidity	10% to 90%RH
	Storage Temperature	-20°C To 55°C
	Storage Humidity	10% to 90%RH
	LED Brand	Everlight
	LED Type	2835 SMD LED
	LED QTY	168Pcs
	Housing Material	Aluminum + PC
Housing Color	Black	
Qualification	IP Rated	IP66
	Warranty	5 Year Limited



# ALTUS™

## LED WALL SCONCE

SKU Number 156259

### Specifications

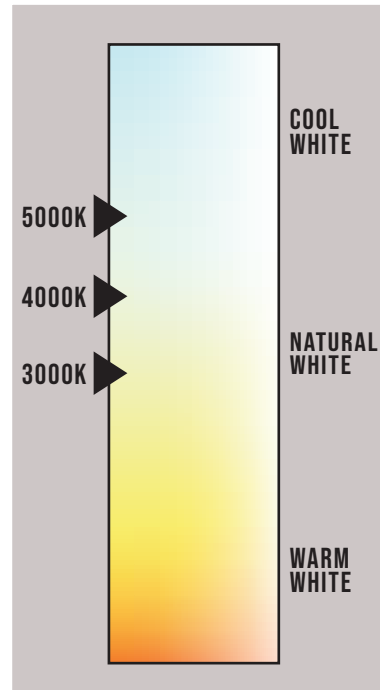
Parameter	Description	Value
General Performance	Model #	MT-WS22AD-W83C-1454-011D
	Wattage Adjustable	18W / 20W / 22W
	Lumen	2160Lm - 2640LM
	Lumen Efficacy	Up to 120LM/W
	Color Temperature	3000K / 4000K / 5000K
	CRI (Ra)	>80
	Beam Angle	270° Degree
	Diffuser Type	Frosted
Electrical	Input Voltage	120-277Vac
	Frequency	50/60Hz
	Dimming	NO
	Power Factor	>0.9
	Driver Surge Protection	2KV
	Flicker Percent	20%
Physical	Operating Temperature	-20°C To 40°C
	Operating Humidity	10% to 90%RH
	Storage Temperature	-20°C To 55°C
	Storage Humidity	10% to 90%RH
	LED Brand	Everlight
	LED Type	2835 SMD LED
	LED QTY	192Pcs
	Housing Material	Aluminum + PC
Housing Color	Black	
Qualification	IP Rated	IP66
	Warranty	5 Year Limited

# ALTUS™

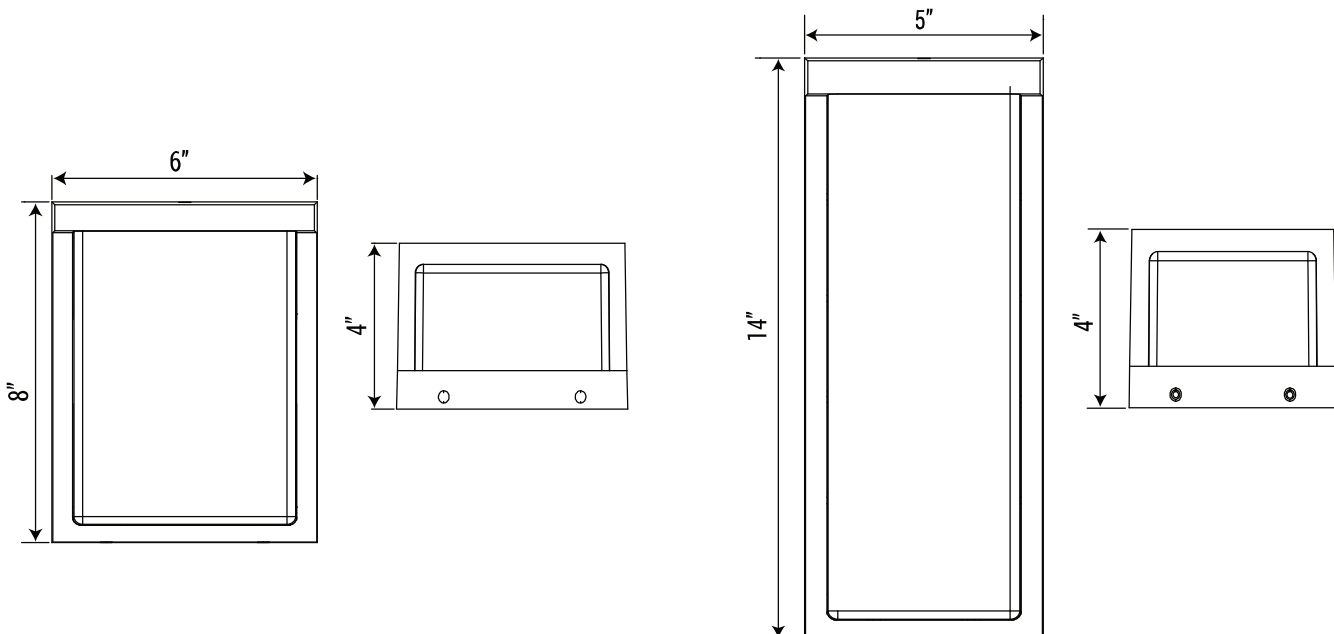
## LED WALL SCONCE



### Correlated Color Temperature (CCT)



LED WALL SCONCE

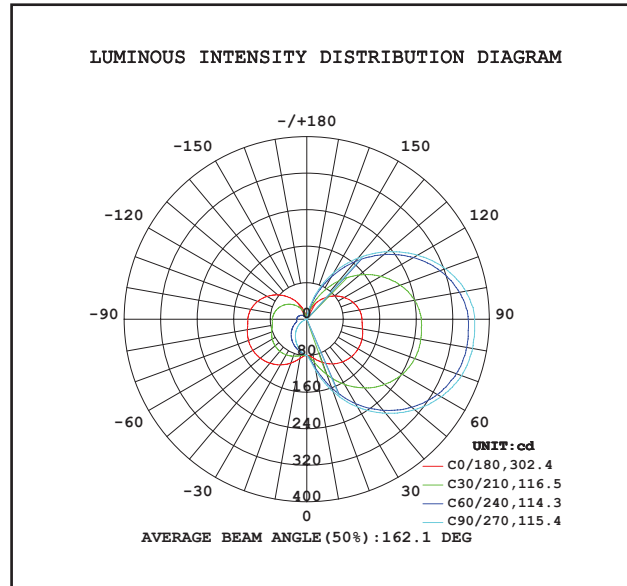




# ALTUS™ LED WALL SCONCE

SKU: 156258

Photometric Data



AAI Figure

Flux out: 449.2 lm

Height	Eavg, Emax	Angle: 119.28deg	Diameter
1m	47.66, 146.61x		341.45cm
2m	11.92, 36.651x		682.90cm
3m	5.296, 16.291x		1024.35cm
4m	2.979, 9.1641x		1365.80cm
5m	1.906, 5.8651x		1707.25cm
6m	1.324, 4.0731x		2048.70cm
7m	0.9727, 2.9921x		2390.14cm
8m	0.7447, 2.2911x		2731.59cm
9m	0.5884, 1.8101x		3073.04cm
10m	0.4766, 1.4661x		3414.49cm

Height      Eavg, Emax      Angle: 119.28deg      Diameter

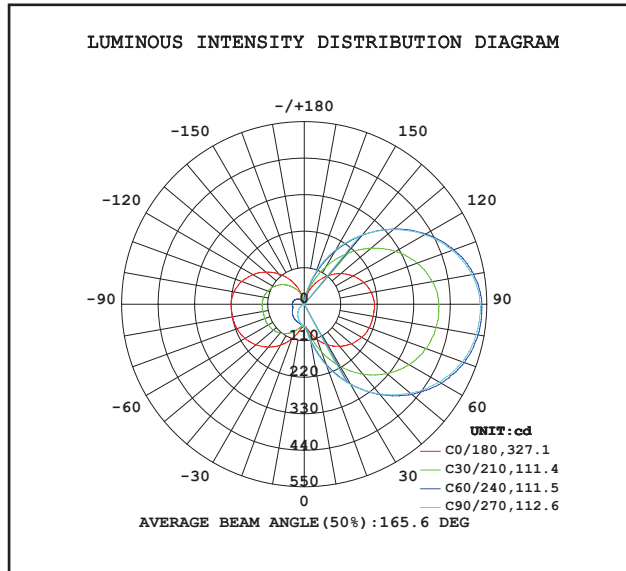
Note: The Curves indicate the illuminated area and the average illumination when the luminaire is at different distance.

# ALTUS™ LED WALL SCONCE



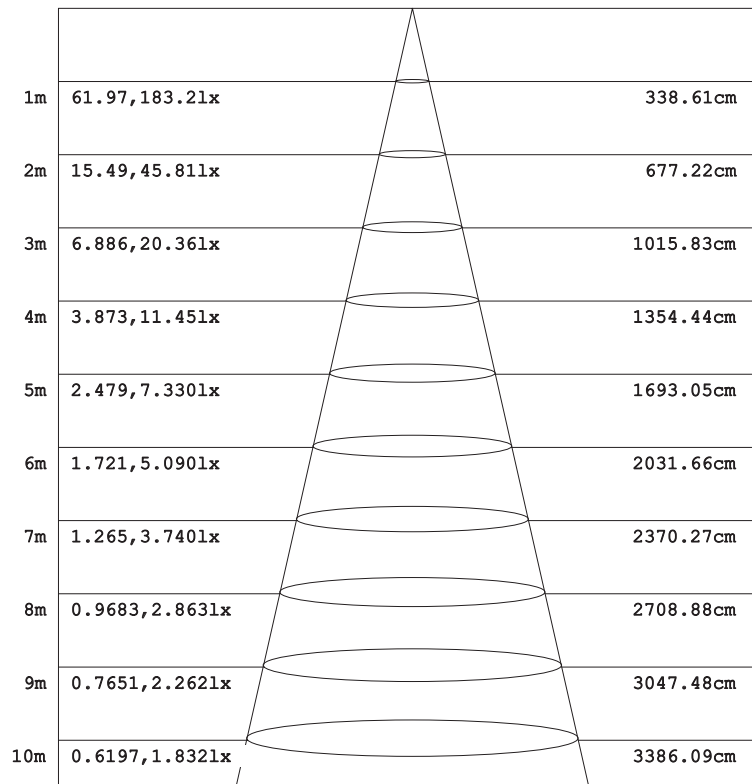
SKU: 156259

Photometric Data



## AAI Figure

Flux out: 584.1 lm



Height Eavg, Emax Angle: 118.86deg Diameter

Note: The Curves indicate the illuminated area and the average illumination when the luminaire is at different distance.

LED WALL SCONCE



# ALTUS™

## LED WALL SCONCE

### Installation

**WARNING**

#### PLEASE READ ALL INSTRUCTIONS BEFORE ATTEMPTING INSTALLATION

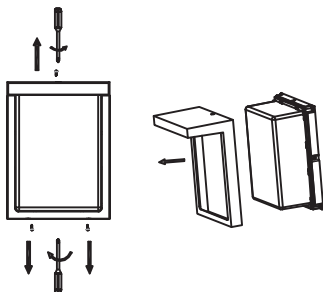
- To prevent personal injury or product damage only licensed electricians should install.
- To avoid electric shock or component damage disconnect power before attempting installation or servicing. Disconnect product and allow cooling prior to servicing.
- Any alteration or modification and/or electrical shock this product is forbidden, as it may cause personal injury, death, property damage and/or product malfunction.
- This luminaire is designed to operate in ambient temperatures ranging from -40oC to 50oC (-40oF to 122oF)
- MIN 75 °C SUPPLY CONDUCTORS.
- CONSULT A QUALIFIED ELECTRICIAN TO ENSURE CORRECT BRANCH CIRCUIT CONDUCTOR.

#### Mounting Bracket

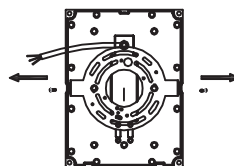


#### Installation Method A

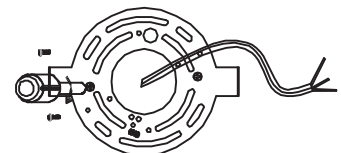
**Step 1:** Remove the 3 screws on the PC frame, one on the top and the other two at the bottom, then take out the PC frame.



**Step 2:** Remove the screws on both sides of the light and take out the installation bracket.



**Step 3:** Screw the bracket onto the wall.



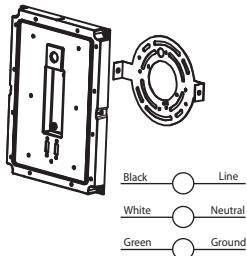
# ALTUS™

## LED WALL SCONCE

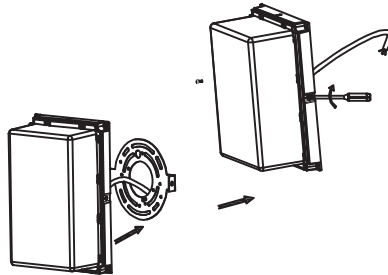


### Installation

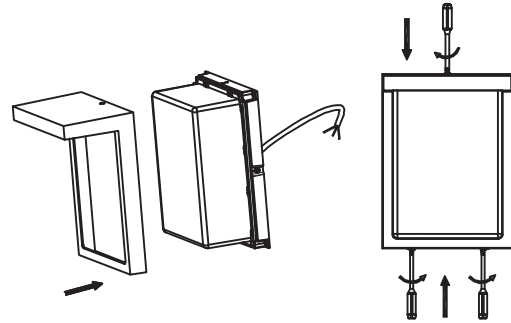
**Step 4:** Connect the light cable to the power input cable.



**Step 5:** Screw and fasten the light on the bracket with screws on both sides of the lights.

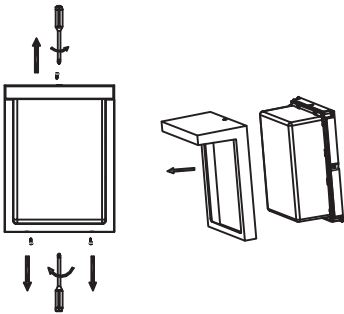


**Step 6:** Screw and fasten the PC frame back to the light with one screw on the top and two screws at the bottom.

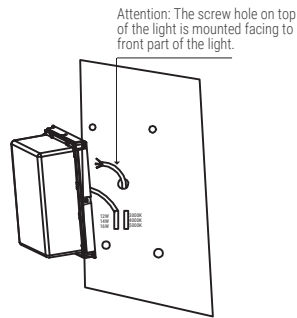


### Installation Method B

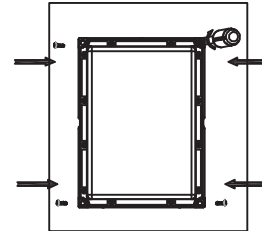
**Step 1:** Remove the 3 screws on the PC frame, one on the top and the other two at the bottom, then take out the PC frame.



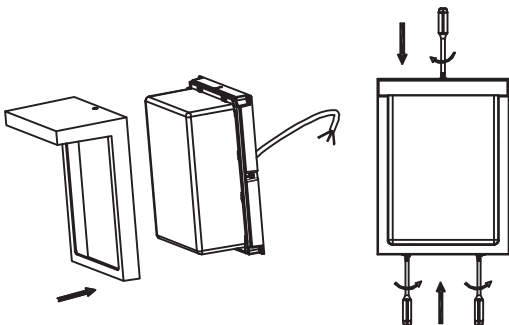
**Step 2:** Connect the light cable to the power input cable.



**Step 3:** Screw and fasten the light to the wall with 4 KA5X12 screws on the 4 corners of the light.



**Step 4:** Screw and fasten the PC frame back to the light with one screw on the top and two screws at the bottom.







# ALTUS™

## LED WALL SCONCE

### Packaging

SKU #	Qty	Dimensions / (Inches)	NET Weight	Gross Weight
156258	10	20.27 x 13 x 8.85	13.22lbs	15.21lbs
156259	10	20.27 x 11.22 x 14.76	16.75lbs	18.30lbs

### Application Picture



### Warranty

5 Year Limited Warranty